



Product Specifications

Customer	
Model	NTSP550HP2 V400



Records of Revision			
Vision	Modifying	Old Description	New Description
v1906.1	Draft		
v1906.2	Preliminary Specifications		
V1906.3	1. Dimensions Revised 2. Front IP65 3. Format Updated		

Features

- ★ 55" , 1920x1080 (FHD) Resolution
- ★ 700nits High Brightness
- ★ Front IP65
- ★ VA Technology, Wide Viewing Angle (178°/178°)
- ★ True Flat Projected Capacitive Touch Screen
- ★ 7H Hardness Tempered Cover Glass
- ★ 10 points Multi-touch , Supports Active Stylus
- ★ Metal Cabinet with Diverse Combine Options
- ★ Made in Taiwan, 3 Years Warranty
- ★ Designed for Harsh Environments
- ★ Optional Video Input (VGA/DVI/HDMI/DP)
- ★ Optional Software Remote Control by RS232
- ★ Optional Auto Dimming Function (with Light Sensor)



PSE



BSMI



FCC



CE



RoHS



ISO9001

Display Specifications

Model Name	NTSP550HP2XA-GGXXUX-400*	Display Mode	VA Type, Normally Black
Screen Diagonal	54.6 inch	Response Time	6.5 msec.
Display Area	1209.6x680.4 mm	Backlight Unit	LED (white LED)
Resolution	1920x1080 (FHD)	Viewing Angle (L/R, U/D)	178°/178° (CR=10)
Contrast Ratio	4000:1	Backlight Lifetime	60000 hours
Display Ratio	16:9	Operating Temp.	0~50°C
Support Color	1070 M Colors	Storage Temp.	-20~60°C
Pixel Pitch	0.63x0.63 mm	Surface Treatment	Anti-glare. Haze 11%, Hardness 3H
Brightness	700nits		

* X = A~Z, 0~9(Depends on options)

Touch Specifications

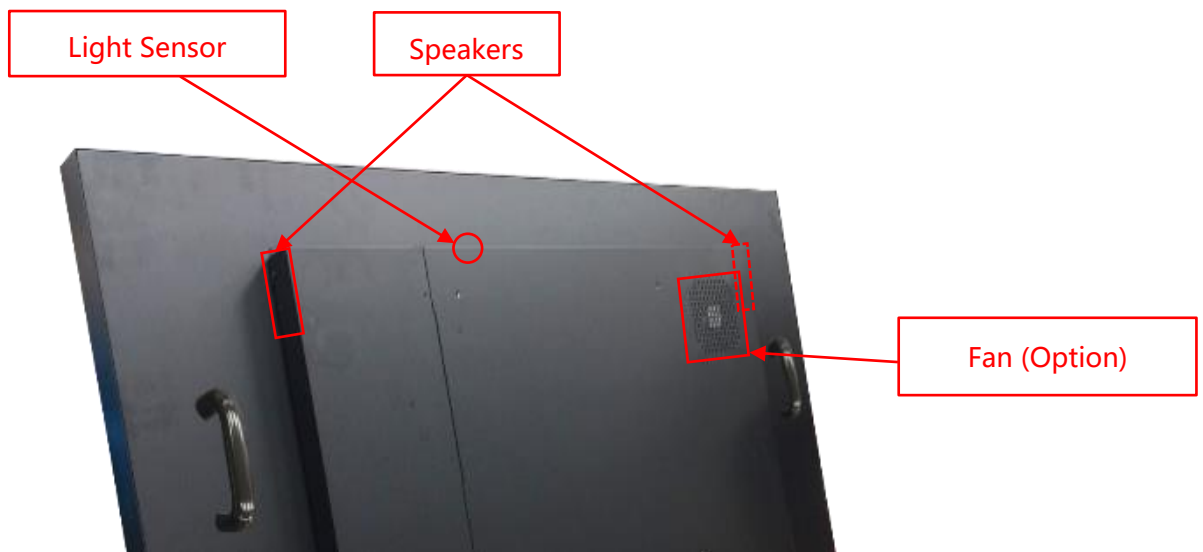
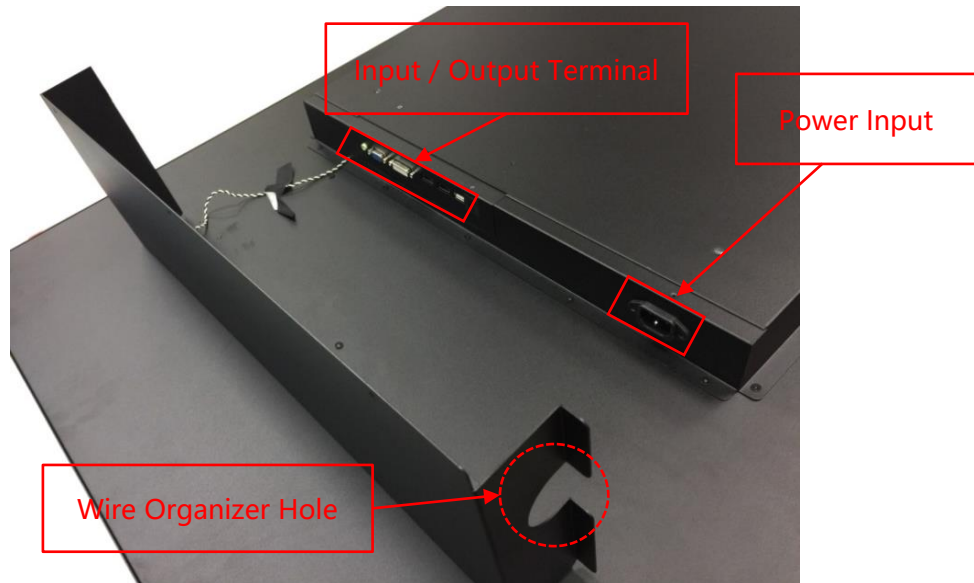
Touch Technology	Projected Capacitive	Transparency	≥86%
Allowed Touch Points	10 points	Accuracy	99.00%
Interface	USB/RS232 (option)	Thickness of Cover Lens	2.9±0.2mm
Hardness of Cover Lens	7H	Surface Treatment	IK07



Accessories

Item	Description	Quantity
HDMI Cable	HDMI Male to Male, 1.8 Meter	1
Power cord	*Country Specific	1
USB Cable	A type, Male to Male, 1.5 Meter *	1

Input /Output



Input / Output	Connectors	Input / Output	Connectors
Video Input	Depends on options	RS232	Option
Audio Input (3.5mm)	1	Speakers	10W x2
AC Power Input (C14)	1	Light Sensor	Option
USB (interface)	1	Remote control	Option



General Options

Video Input		
	Connectors	Model Name
Standard	VGA+HDMI+DP	NTSP550HP2GA-GGXXUX-400
Option	VGA+DVI+HDMIx2	NTSP550HP2AA-GGXXUX-400

Color of Cabinet		
	Description	Model Name
Standard	Black	NTSP550HP2XA-GGBXUX-400
Option 1	White	NTSP550HP2XA-GGWXUX-400
Option 2	Silver	NTSP550HP2XA-GGSXUX-400
Options	Other Color	NTSP550HP2XA-GGXUX-400

* X = A~Z, 0~9(Depends on Color)

Material of Cabinet		
	Description	Model Name
Standard	Galvanized steel (SECC)	NTSP550HP2XA-GGX^SUX-400
Option 1	Stainless Steel	NTSP550HP2XA-GGX ^L UX-400
Option 2	Aluminum	NTSP550HP2XA-GGX ^A UX-400

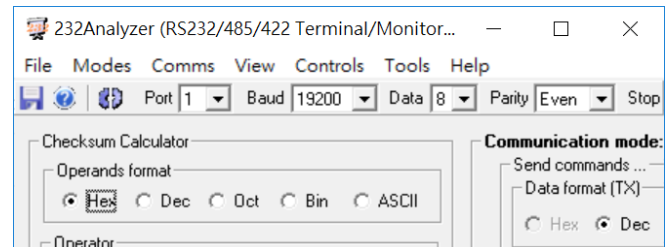
Cooling Fan		
	Description	Model Name
Standard	Fanless	NTSP550HP2XA-GGXXU⁰-400
Option	7 Blades/1.2W/4000 r.p.m / Max. 10.96CFM/28.3dB	NTSP550HP2XA-GGXXU ^F -400

Other Options

OSD Control		
	Item	Description
Standard	Button	Rear Physical Button
Option 1	Software Remote Control	Software Remote Control by RS232/Serial Port
Option 2	Auto Dimming	Auto Brightness Adjusting by Built-in Light Sensor

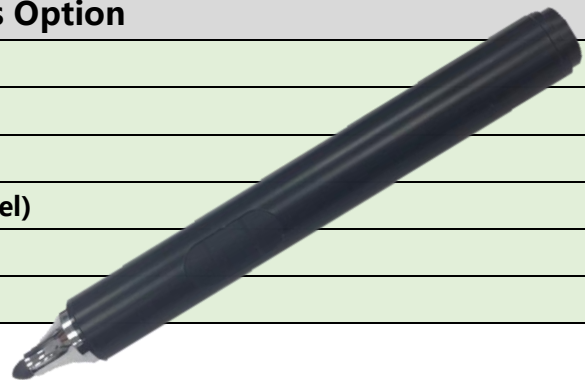


Light Sensor

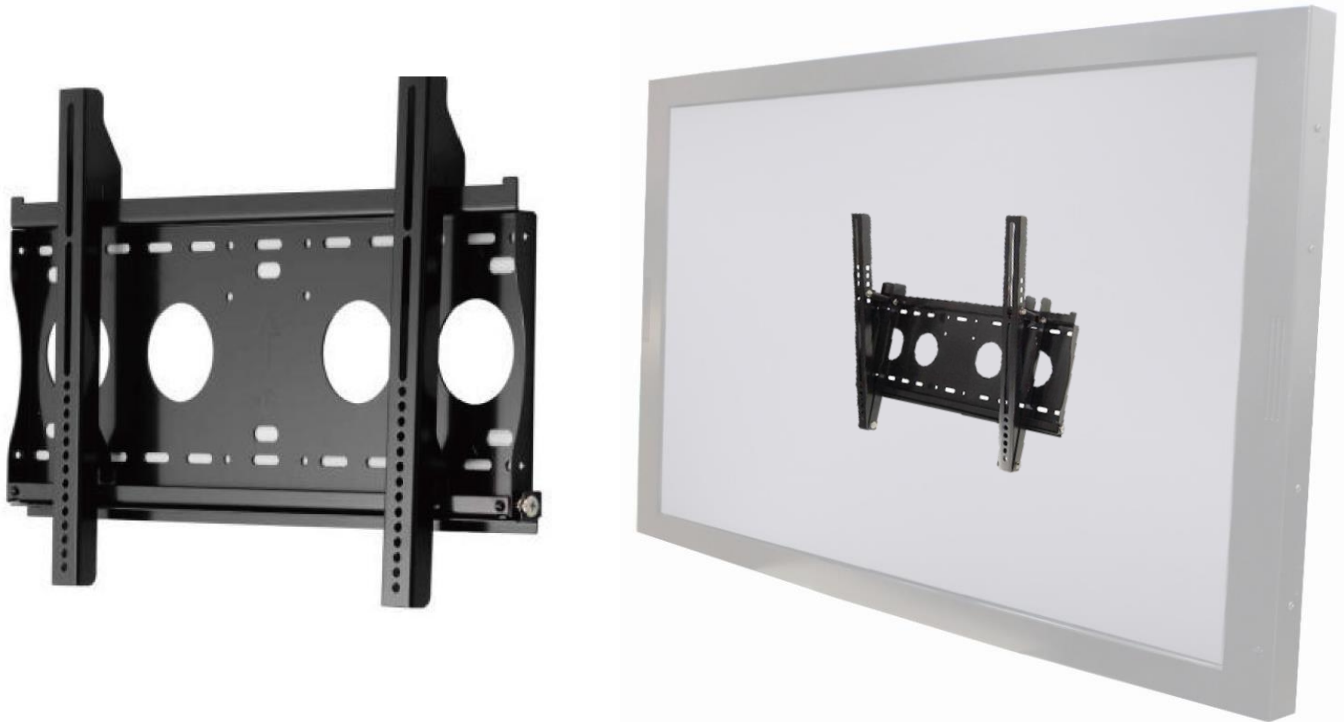


* Software Remote

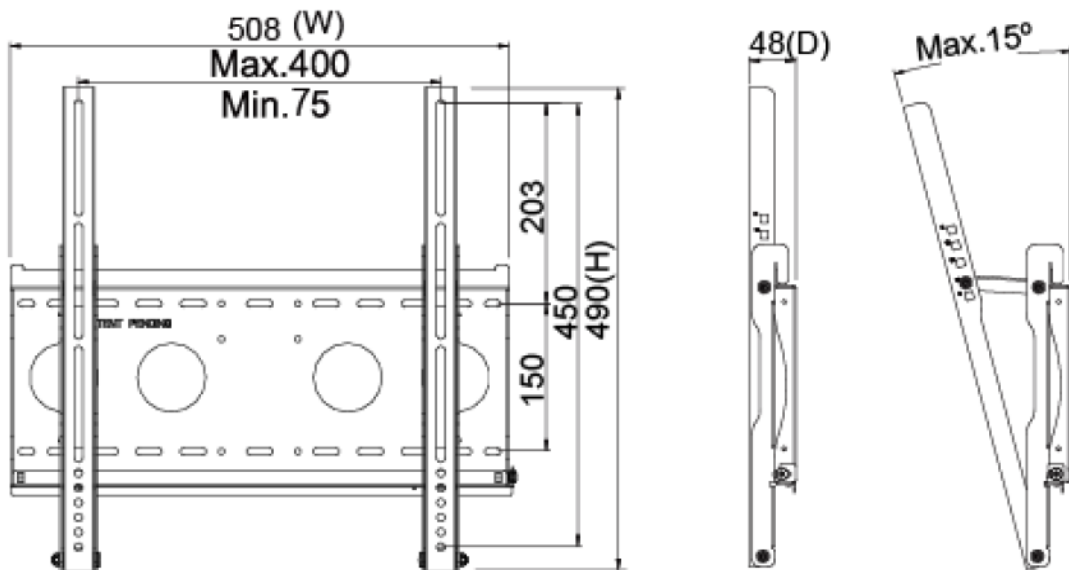
Active Stylus Option	
Technology	Active Capacitive Coupled
Working Frequencies	90~250 KHZ
Pressure Level	256~1024 Levels
Side Buttons	2 Side Buttons (Eraser, Barrel)
Active Tip Force	5~25g
Max. Tip Force	400g



Optional Accessories (Wall Mount Bracket)



Part No.	WMB-B001		
Mounting Pattern	Max. 400x450 mm	Dimension (WxHxD)	508x490x48 mm
Material	SECC	Net Weight	4.01 KG
Tilt (Hinge)	0°/5°/10°/13°/15°	Support Max. Weight	80 KG
Screw Type	M4/M5/M6/M8	Min. Distance to The Wall	48 mm





Optional Accessories (KIOSK Cabinet)



Material	SECC
Caster	4 (front 2 braking)
Ingress Protection	Front IP65
Power Socket	None (Wire Hole Reserved)





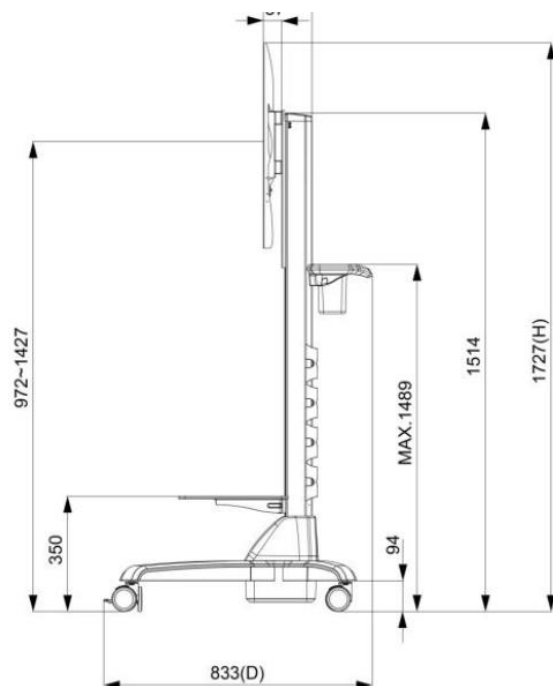
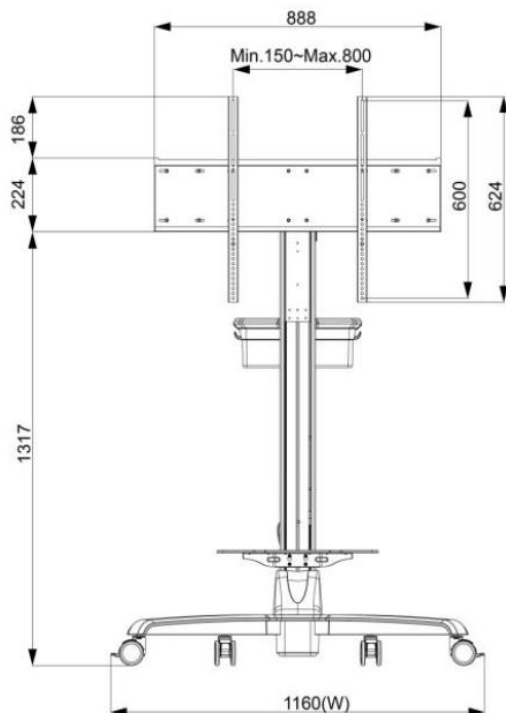
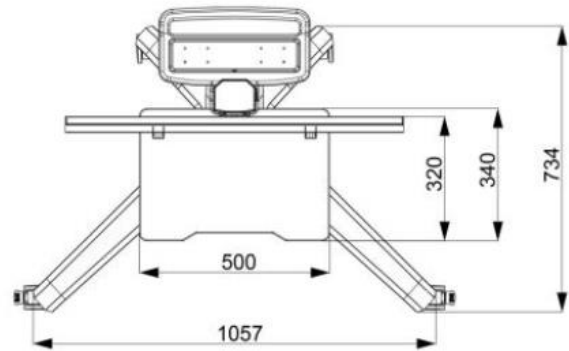
Nextech P Series 55" Touch Display

NTSP550HP2 V400

Optional Accessories (Cart)

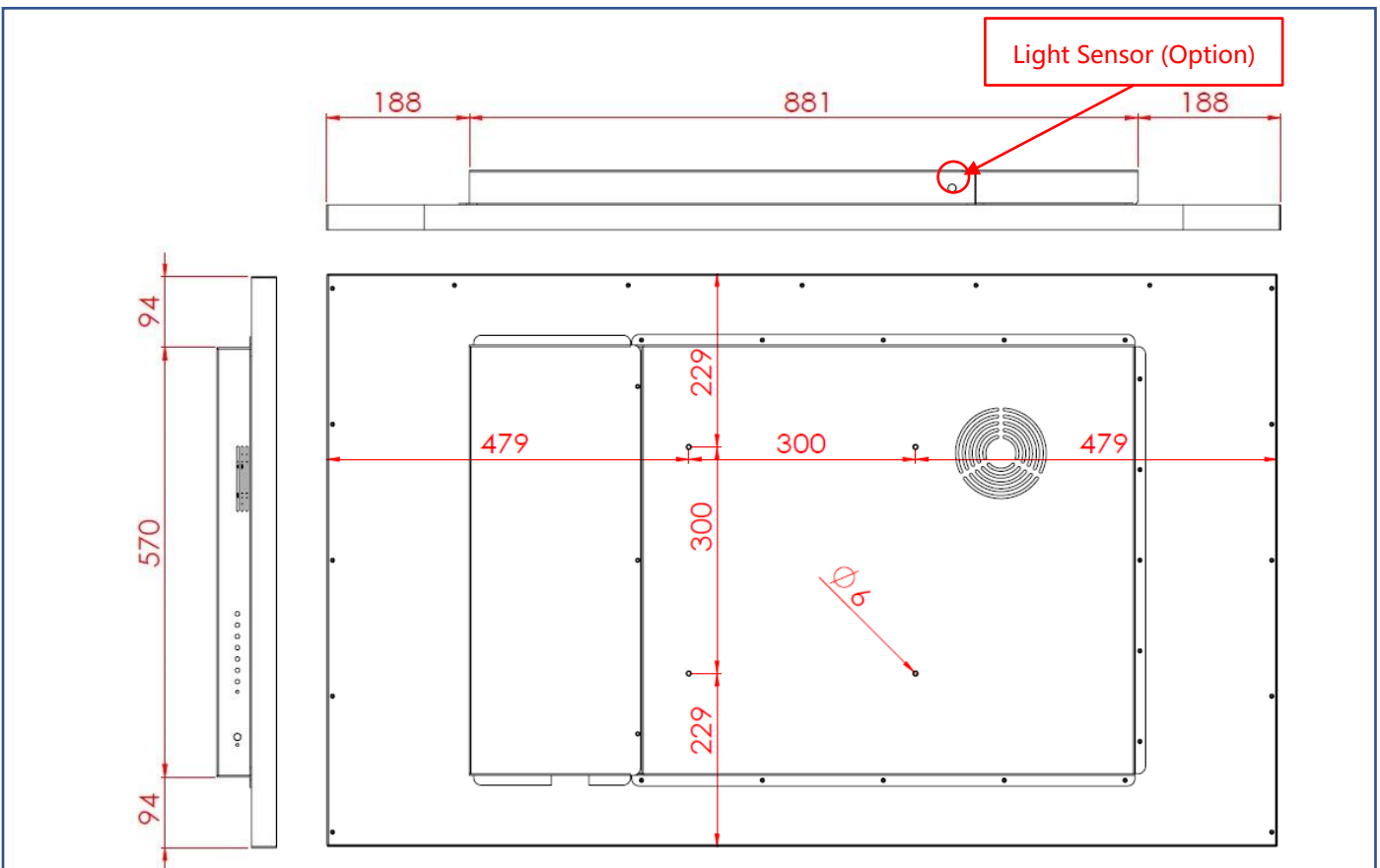
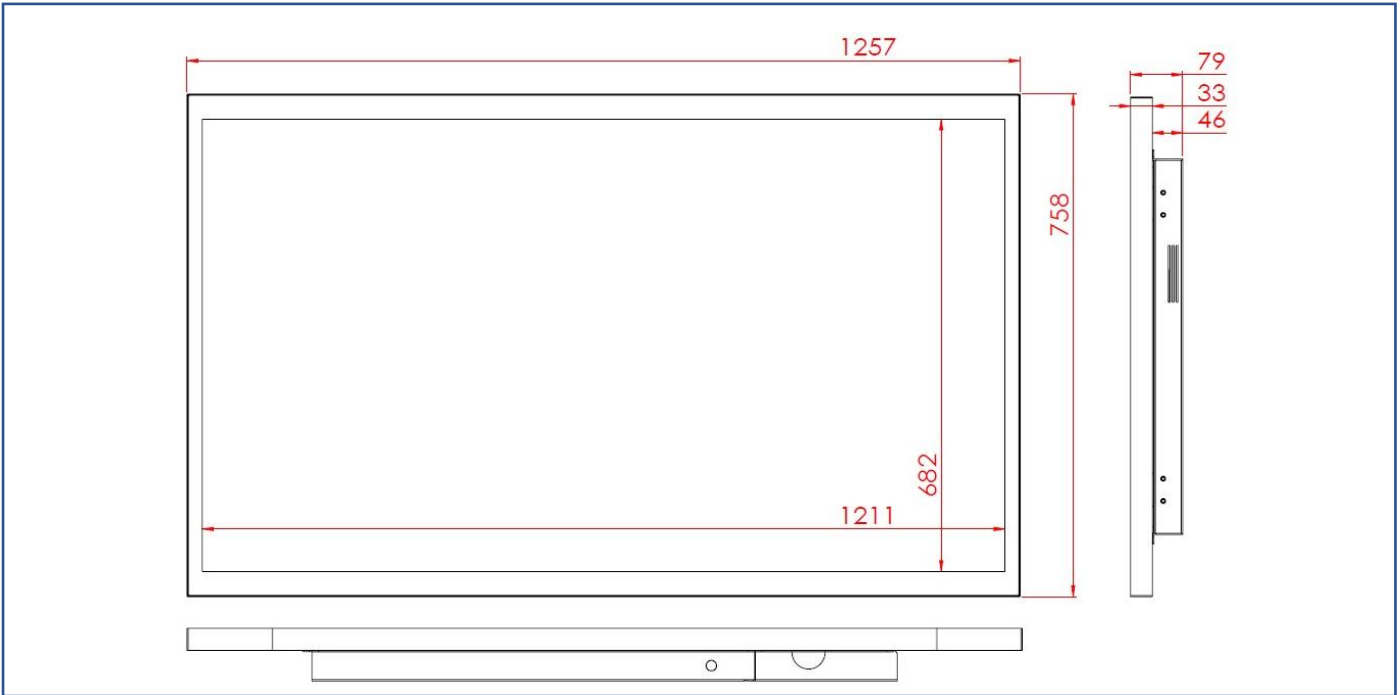


Net Weight	28.4 KG
Power System	AC 200~240V 50/60Hz
User Interface	Button (up/down)
Packaged Dimension	W1160xD833xH1727 mm
Screw Type	M4/M5/M6/M8
Material	Aluminum /Plastic/Steel
Max. Mount Pattern	800x600mm
Max. Weight Load	80 KG
Caster	4 (front 2 braking)
Height Adjust Range	455 mm
RoHS/REACH Compliance	Yes



Physical Specifications

Dimension (Max)	1257x758x118(±2)mm	Net Weight	≦ 38 KG
VESA Mounting	300x300 mm	Gross Weight	≦ 45 KG



Packing Information



Dimensions of Carton	153x96x23 CM
Net Weight	≤38 KG
Gross Weight	≤45 KG