



Product Specifications

Customer	
Model	NTSP550HP3 V400



Records of Revision			
Vision	Modifying	Old Description	New Description
V2004.1	Preliminary Specifications		

Features

- ★ 55" , 1920x1080 (FHD) Resolution
- ★ 2500nits High Brightness
- ★ Front IP65
- ★ VA Technology, Wide Viewing Angle (178°/178°)
- ★ True Flat Projected Capacitive Touch Screen
- ★ 7H Hardness Tempered Cover Glass
- ★ 10 points Multi-touch , Supports Active Stylus
- ★ Metal Cabinet with Diverse Combine Options
- ★ Made in Taiwan, 3 Years Warranty
- ★ Designed for Harsh Environments
- ★ Optional Video Input (VGA/DVI/HDMI/DP)
- ★ Optional Software Remote Control by RS232
- ★ Optional Auto Dimming Function (with Light Sensor)



PSE



BSMI



FCC



CE



RoHS



ISO9001

Display Specifications

Model Name	NTSP550HP3XA-GGXXUX-400*	Display Mode	VA Type, Normally Black
Screen Diagonal	54.64 inch	Response Time	8 msec.
Display Area	1209.6x680.4 mm	Backlight Unit	LED (white LED)
Resolution	1920x1080 (FHD)	Viewing Angle (L/R, U/D)	178°/178° (CR=10)
Contrast Ratio	4000:1	Backlight Lifetime	60000 hours
Display Ratio	16:9	Operating Temp.	0~50°C
Support Color	1070 百万色	Storage Temp.	-20~60°C
Pixel Pitch	0.63x0.63 mm	Surface Treatment	Anti-reflective, Reflectivity ≤1.45%
Brightness	2500nits		

* X = A~Z, 0~9(Depends on options)

Touch Specifications

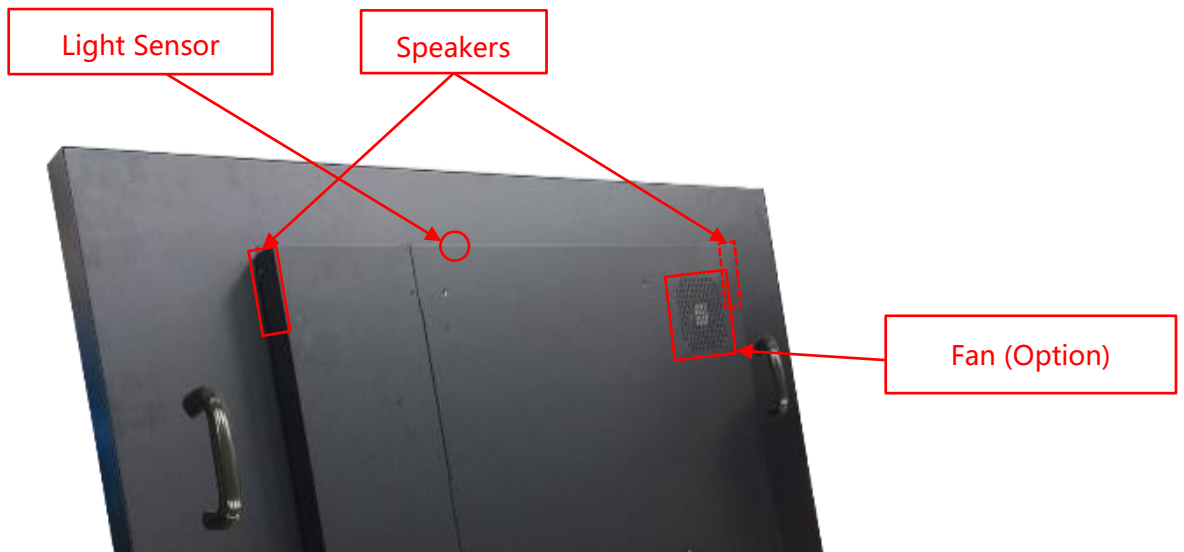
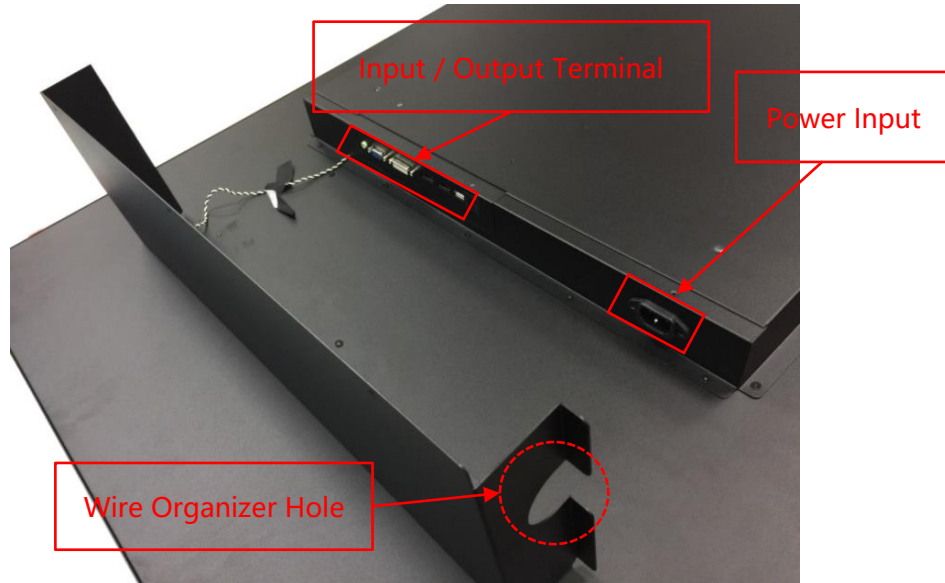
Touch Technology	Projected Capacitive	Transparency	≥86%
Allowed Touch Points	10 points	Accuracy	99.00%
Interface	USB/RS232 (option)	Thickness of Cover Lens	2.9±0.2mm
Hardness of Cover Lens	7H	Surface Treatment	IK07



Accessories

Item	Description	Quantity
HDMI Cable	HDMI Male to Male, 1.8 Meter	1
Power cord	*Country Specific	1
USB Cable	A type, Male to Male, 1.5 Meter *	1

Input /Output



Input / Output	Connectors	Input / Output	Connectors
Video Input	Depends on options	RS232	Option
Audio Input (3.5mm)	1	Speakers	10W x2
AC Power Input (C14)	1	Light Sensor	Option
USB (interface)	1	Remote control	Option



General Options

Video Input		
	Connectors	Model Name
Standard	VGA+HDMI+DP	NTSP550HP3GA-GGXXUX-400
Option	VGA+DVI+HDMIx2	NTSP550HP3AA-GGXXUX-400

Color of Cabinet		
	Description	Model Name
Standard	Black	NTSP550HP3XA-GGBXUX-400
Option 1	White	NTSP550HP3XA-GGWXUX-400
Option 2	Silver	NTSP550HP3XA-GGSXUX-400
Options	Other Color	NTSP550HP3XA-GGXXUX-400

* X = A~Z, 0~9(Depends on Color)

Material of Cabinet		
	Description	Model Name
Standard	Galvanized steel (SECC)	NTSP550HP3XA-GGX^SUX-400
Option 1	Stainless Steel	NTSP550HP3XA-GGX ^L UX-400
Option 2	Aluminum	NTSP550HP3XA-GGX ^A UX-400

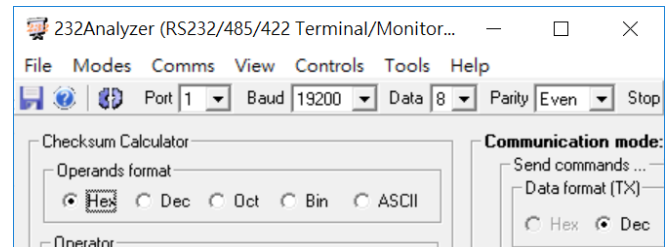
Cooling Fan		
	Description	Model Name
Standard	Fanless	NTSP550HP3XA-GGXXU⁰-400
Option	7 Blades/1.2W/4000 r.p.m / Max. 10.96CFM/28.3dB	NTSP550HP3XA-GGXXU ^F -400

Other Options

OSD Control		
	Item	Description
Standard	Button	Rear Physical Button
Option 1	Software Remote Control	Software Remote Control by RS232/Serial Port
Option 2	Auto Dimming	Auto Brightness Adjusting by Built-in Light Sensor

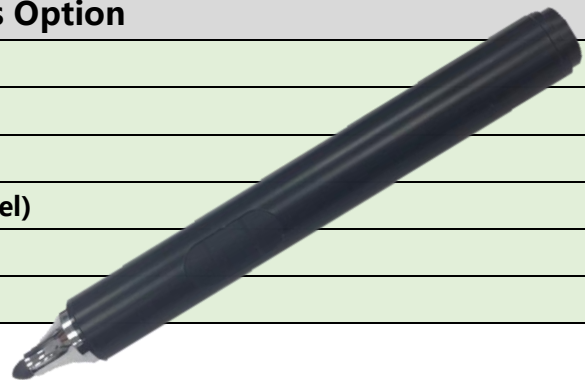


Light Sensor

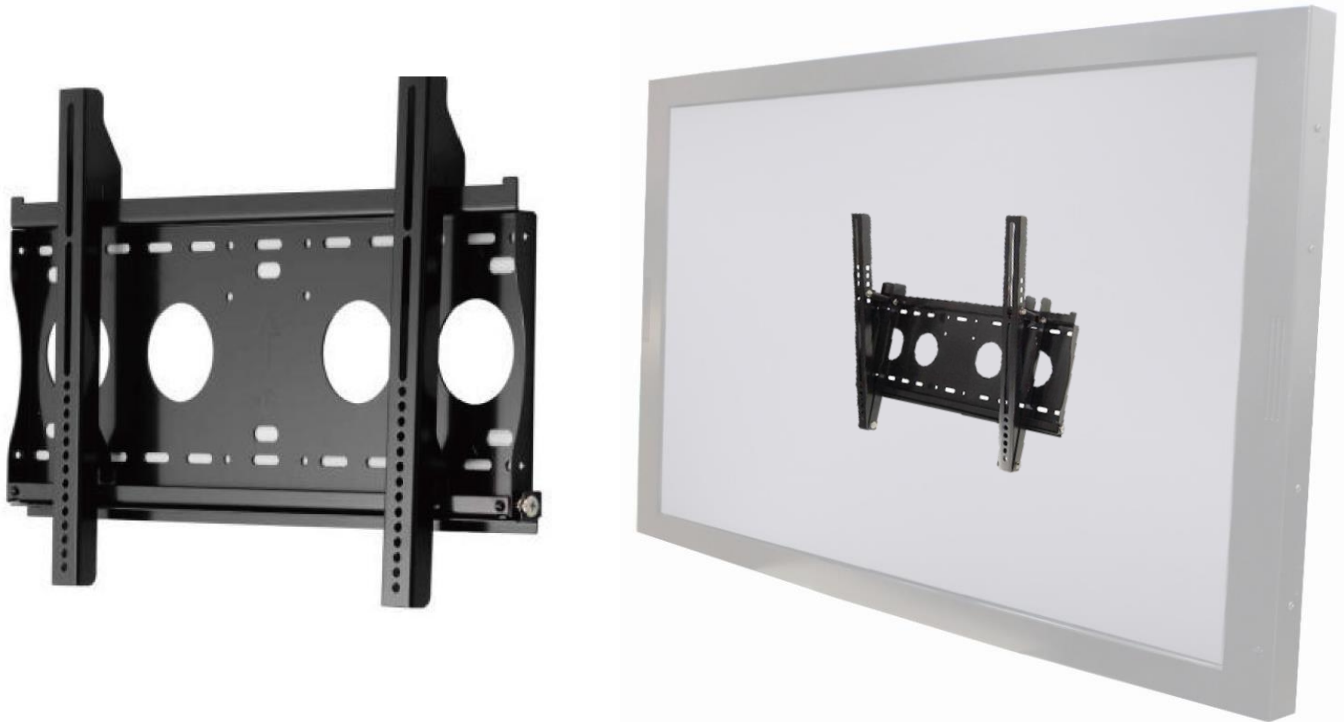


* Software Remote

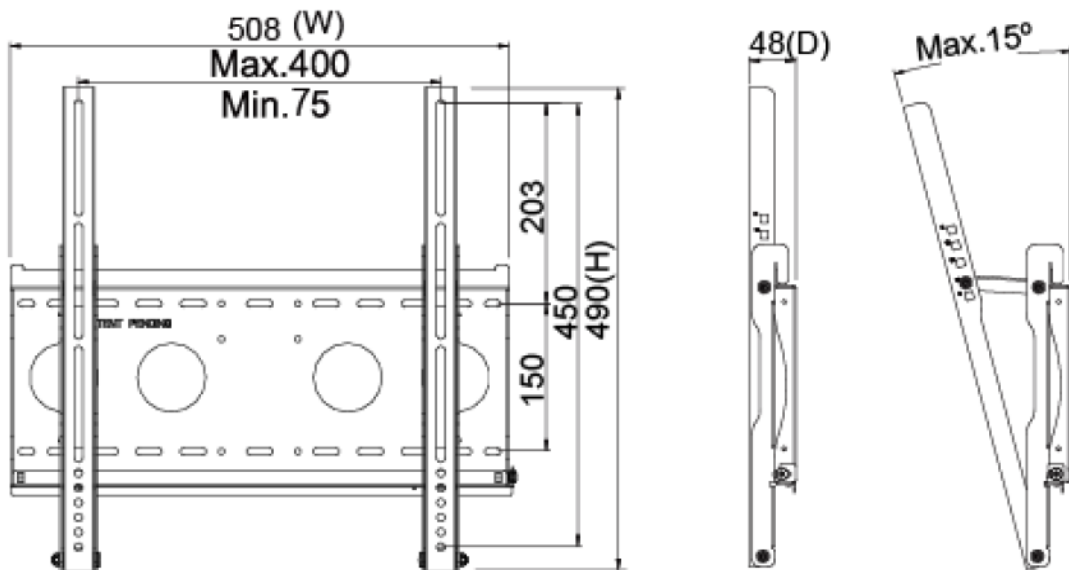
Active Stylus Option	
Technology	Active Capacitive Coupled
Working Frequencies	90~250 KHZ
Pressure Level	256~1024 Levels
Side Buttons	2 Side Buttons (Eraser, Barrel)
Active Tip Force	5~25g
Max. Tip Force	400g



Optional Accessories (Wall Mount Bracket)



Part No.	WMB-B001		
Mounting Pattern	Max. 400x450 mm	Dimension (WxHxD)	508x490x48 mm
Material	SECC	Net Weight	4.01 KG
Tilt (Hinge)	0°/5°/10°/13°/15°	Support Max. Weight	80 KG
Screw Type	M4/M5/M6/M8	Min. Distance to The Wall	48 mm





Optional Accessories (KIOSK Cabinet)



Material	SECC
Caster	4 (front 2 braking)
Ingress Protection	Front IP65
Power Socket	None (Wire Hole Reserved)





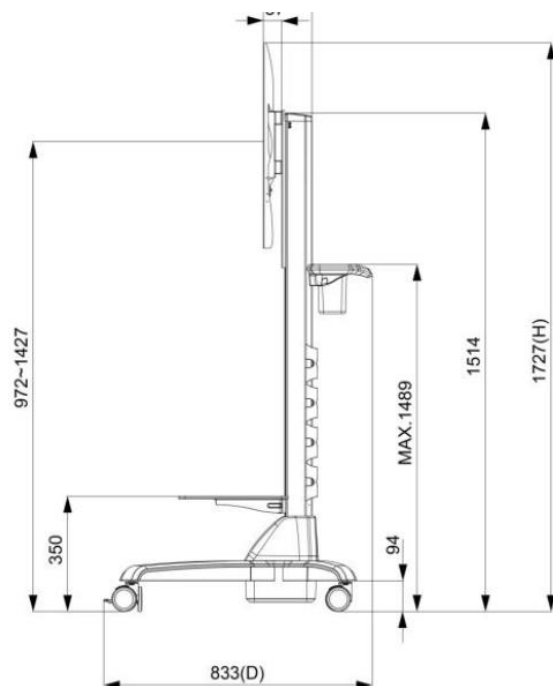
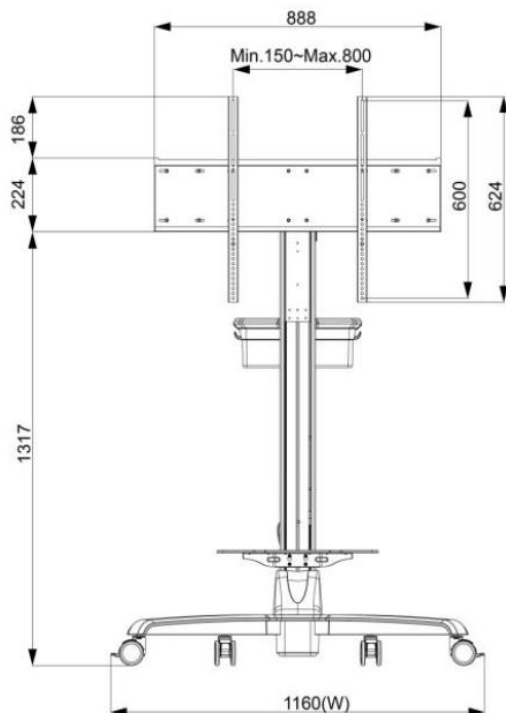
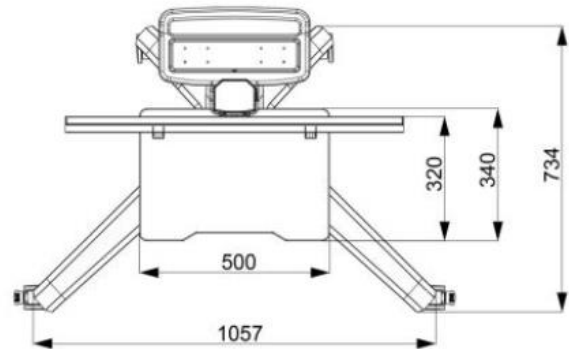
Nextech P Series 55" Touch Display

NTSP550HP3-400

Optional Accessories (Cart)

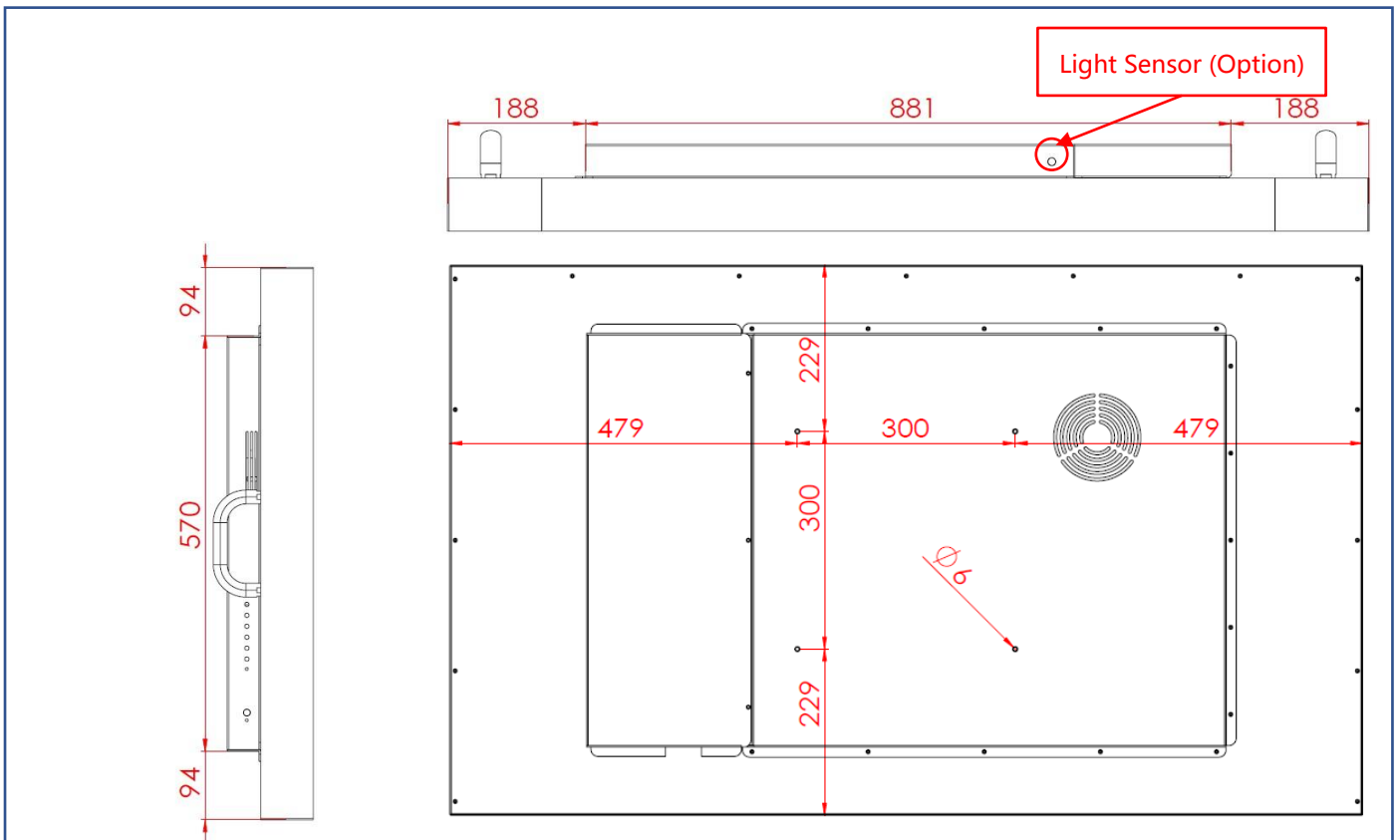
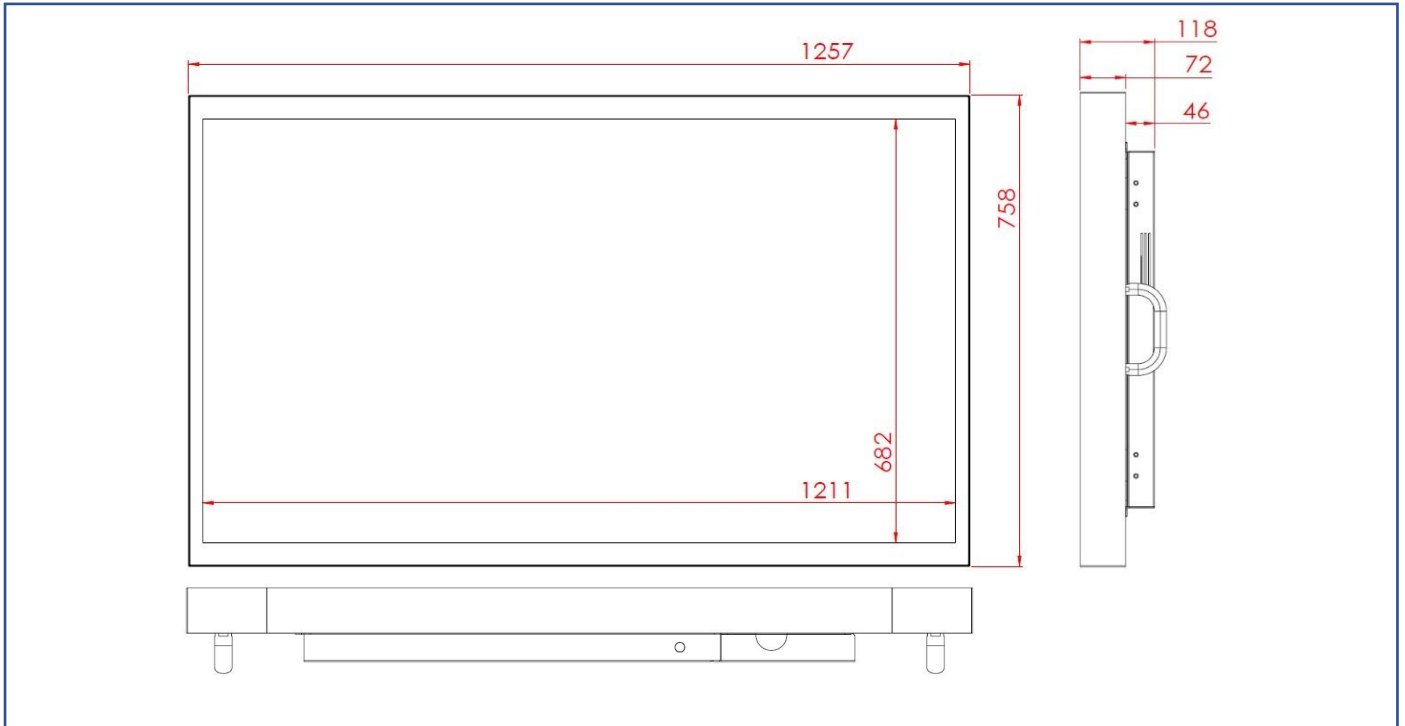


Net Weight	28.4 KG
Power System	AC 200~240V 50/60Hz
User Interface	Button (up/down)
Packaged Dimension	W1160xD833xH1727 mm
Screw Type	M4/M5/M6/M8
Material	Aluminum /Plastic/Steel
Max. Mount Pattern	800x600mm
Max. Weight Load	80 KG
Caster	4 (front 2 braking)
Height Adjust Range	455 mm
RoHS/REACH Compliance	Yes



Physical Specifications

Dimension (Max)	1257x758x118(±2)mm	Net Weight	≤63.2 KG
VESA Mounting	300x300 mm	Gross Weight	≤73.3 KG



Packing Information



Dimensions of Carton	153x96x23 CM
Net Weight	≤63.2 KG
Gross Weight	≤73.3 KG