



Product Specifications

Customer	
Model	NTSP550 V500



Records of Revision			
Vision	Modifying	Old Description	New Description
V2004.1	Preliminary Specifications		

Features

- ★ 55" , 4K (UHD) Resolution
- ★ Front IP65
- ★ VA Technology, Wide Viewing Angle (178°/178°)
- ★ True Flat Projected Capacitive Touch Screen
- ★ 7H Hardness Tempered Cover Glass
- ★ 10 points Multi-touch , Supports Active Stylus
- ★ Metal Cabinet with Diverse Combine Options
- ★ Made in Taiwan, 3 Years Warranty
- ★ Designed for Harsh Environments
- ★ Optional High Brightness/Sunlight Readable
- ★ Optional Software Remote Control by RS232
- ★ Optional Auto Dimming Function (with Light Sensor)



PSE



BSMI



FCC



CE



RoHS



ISO9001

Display Specifications

Model Name	NTSP550XPS9A-GGXXUX-500*	Display Mode	Normally Black
Screen Diagonal	54.6 inch	Response Time	8.5 msec.
Display Area	1209.6x680.4 mm	Backlight Unit	LED (white LED)
Resolution	3840x2160 (UHD)	Viewing Angle (L/R, U/D)	178°/178° (CR=10)
Contrast Ratio	4000:1	Backlight Lifetime	>50000 hours
Display Ratio	16:9	Operating Temp.	0~50°C
Support Color	1070 M Colors	Storage Temp.	-20~60°C
Pixel Pitch	0.315x0.315 mm	Surface Treatment	Anti-glare Haze 2%, 3H

* X = A~Z, 0~9(Depends on options)

Touch Specifications

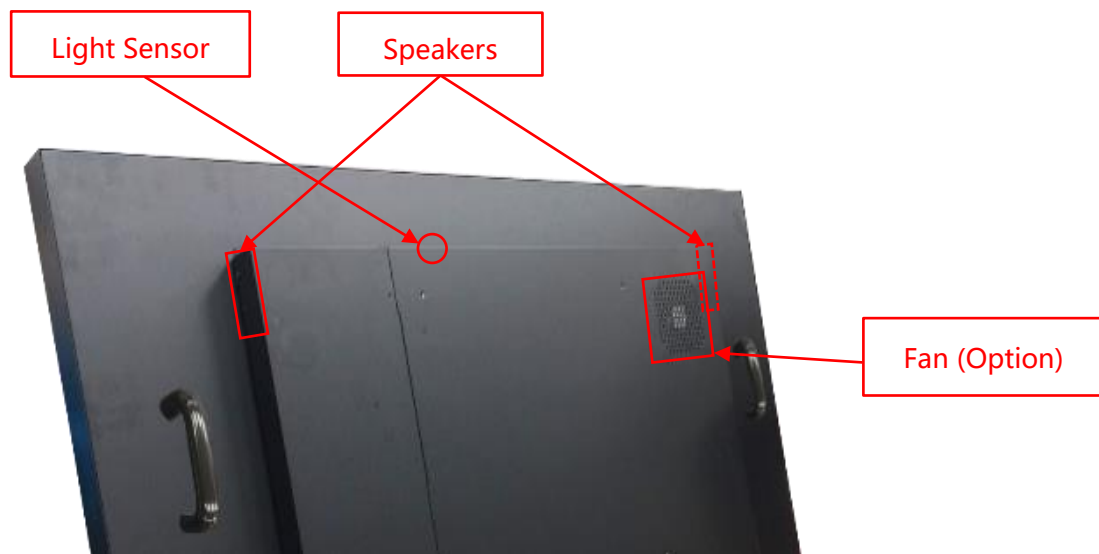
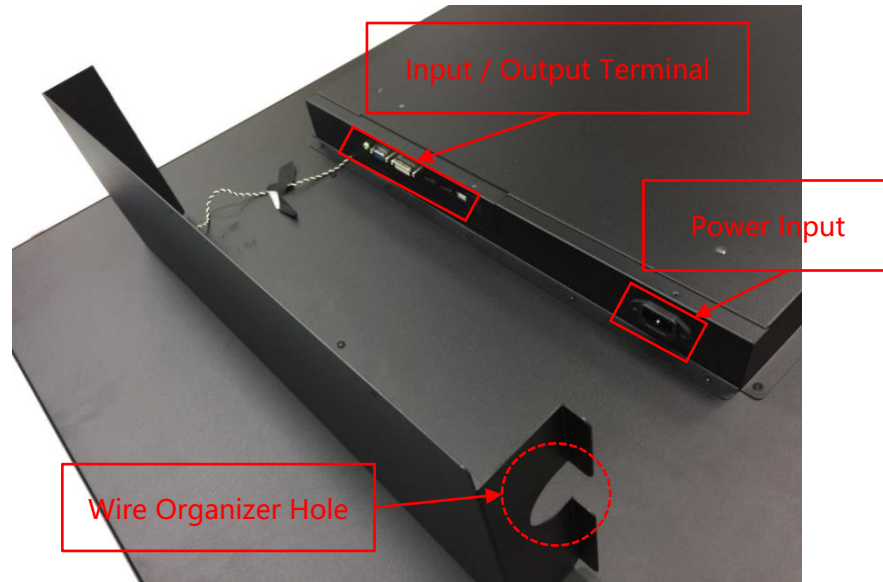
Touch Technology	Projected Capacitive	Transparency	≥86%
Allowed Touch Points	10 points	Accuracy	99.00%
Interface	USB/RS232 (option)	Thickness of Cover Lens	2.9±0.2mm
Hardness of Cover Lens	7H	Surface Treatment	IK07



Supported OS

Windows	Win7, Win8, Win10 ↑
Linux	Kernel 2.6.24 ↑
Android	3.0 ↑
Mac	10.5.x ↑ (Intel CPU)

Input /Output



Input / Output	Connectors	Input / Output	Connectors
HDMI Input	2	USB (interface)	1
VGA Input	1	RS232	Option
Display Port	2	Speakers	10W x2
Audio Input	1	Light Sensor	Option
AC Power Input (C14)	1	Remote control	Option



General Options

Brightness			
	Brightness	Environment	Model Name
Standard	450nits	General (Indoor Environment)	NTSP550<u>N</u><u>P</u><u>S</u>9A-GGXXUX-500
Option	700nits	Outdoor Environment	NTSP550 <u>H</u> <u>P</u> <u>2</u> 9A-GGXXUX-500

Color of Cabinet		
	Description	Model Name
Standard	Black	NTSP550XPS9A-GG<u>B</u>XUX-500
Option 1	White	NTSP550XPS9A-GG <u>W</u> XUX-500
Option 2	Silver	NTSP550XPS9A-GG <u>S</u> XUX-500
Options	Other Color	NTSP550XPS9A-GG <u>X</u> XUX-500

* X = A~Z, 0~9(Depends on Color)

Material of Cabinet		
	Description	Model Name
Standard	Galvanized steel (SECC)	NTSP550XPS9A-GG<u>X</u><u>S</u>UX-500
Option 1	Stainless Steel	NTSP550XPS9A-GG <u>X</u> <u>L</u> UX-500
Option 2	Aluminum	NTSP550XPS9A-GG <u>X</u> <u>A</u> UX-500

Cooling Fan		
	Description	Model Number
Standard	Fanless	NTSP550XPS9A-GGXXU<u>0</u>-500
Option	7 Blades/1.2W/4000 r.p.m / Max. 10.96CFM/28.3dB	NTSP550XPS9A-GGXXU <u>F</u> -500

Accessories

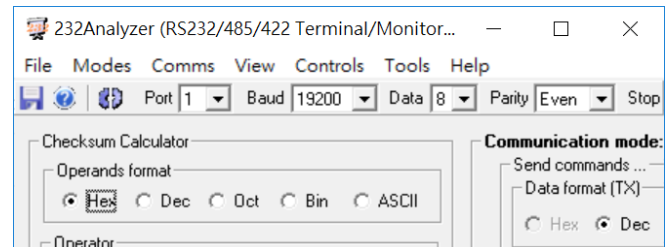
Item	Description	Quantity
HDMI Cable	HDMI Male to Male, 1.8 Meter	1
Power cord	*Country Specific	1
USB Cable	A type, Male to Male, 1.5 Meter *	1

Other Options

OSD Control		
	Item	Description
Standard	Button	Rear Physical Button
Option 1	Software Remote Control	Software Remote Control by RS232/Serial Port
Option 2	Auto Dimming	Auto Brightness Adjusting by Built-in Light Sensor

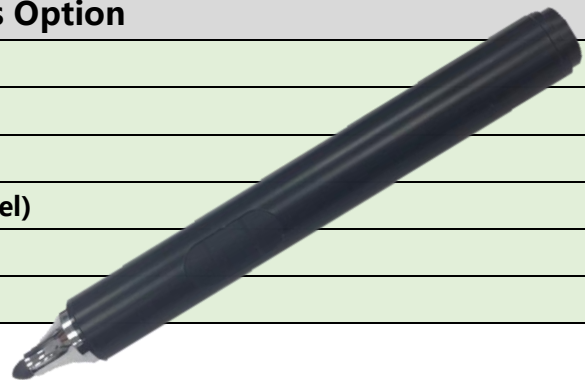


Light Sensor

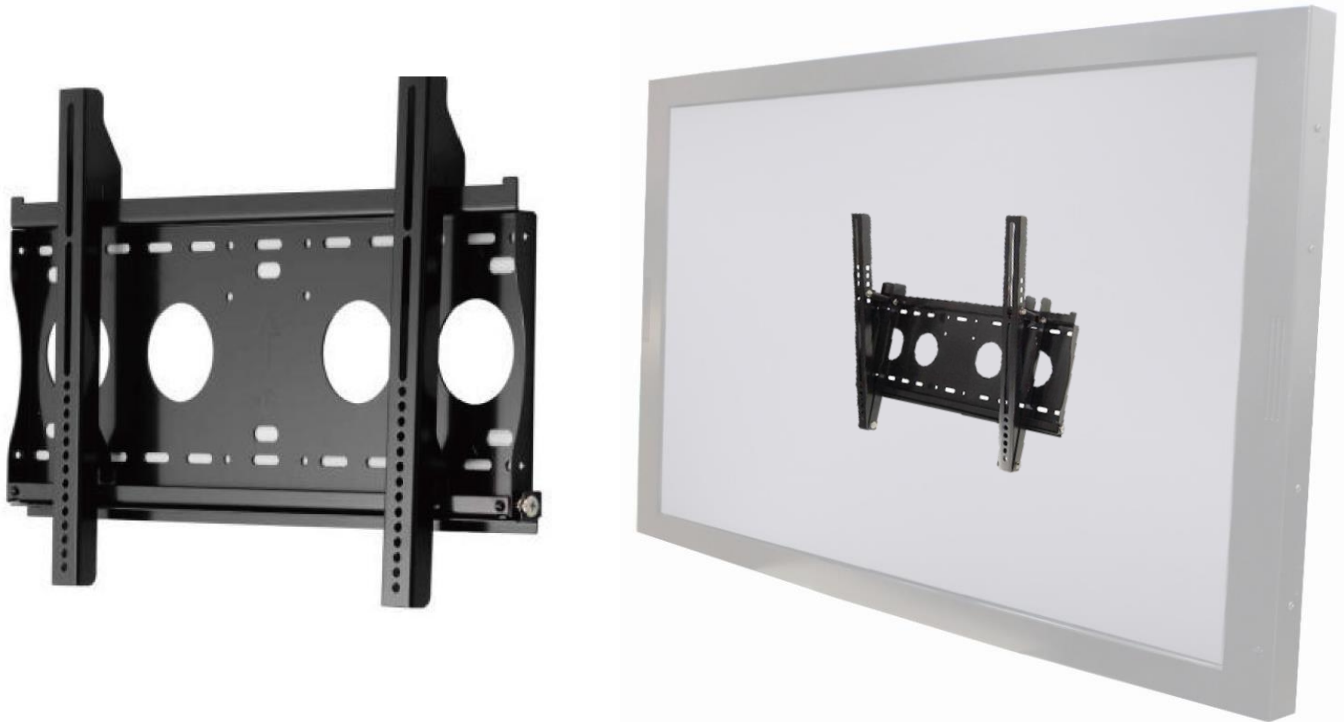


* Software Remote Control

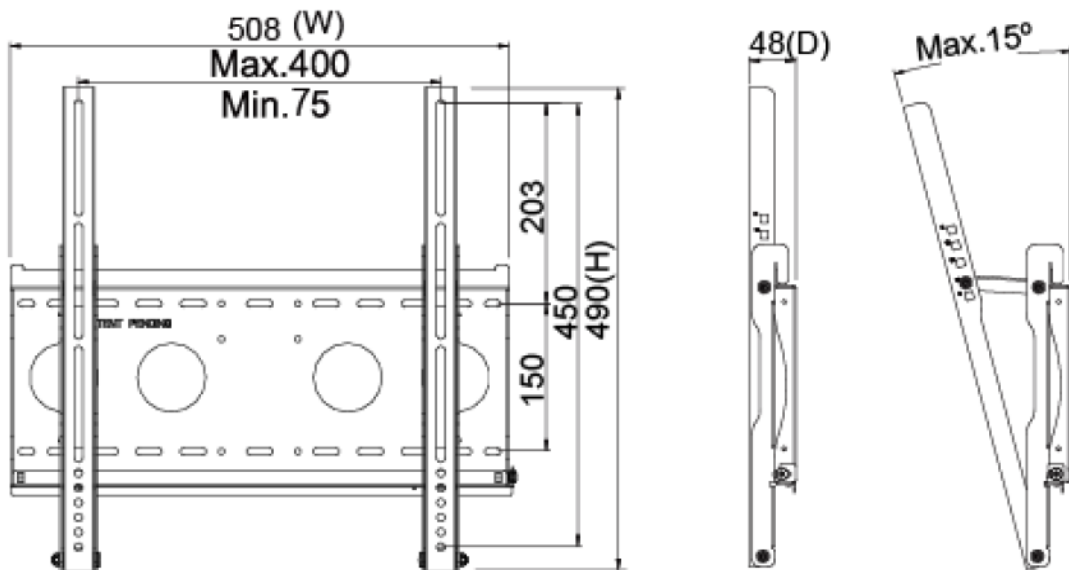
Active Stylus Option	
Technology	Active Capacitive Coupled
Working Frequencies	90~250 KHZ
Pressure Level	256~1024 Levels
Side Buttons	2 Side Buttons (Eraser, Barrel)
Active Tip Force	5~25g
Max. Tip Force	400g



Optional Accessories (Wall Mount Bracket)



Part No.	WMB-B001	Dimension (WxHxD)	508x490x48 mm
Mounting Pattern	Max. 400x450 mm	Net Weight	4.01 KG
Material	SECC	Support Max. Weight	80 KG
Tilt (Hinge)	0°/5°/10°/13°/15°	Min. Distance to The Wall	48 mm
Screw Type	M4/M5/M6/M8		



Optional Accessories (KIOSK Cabinet)



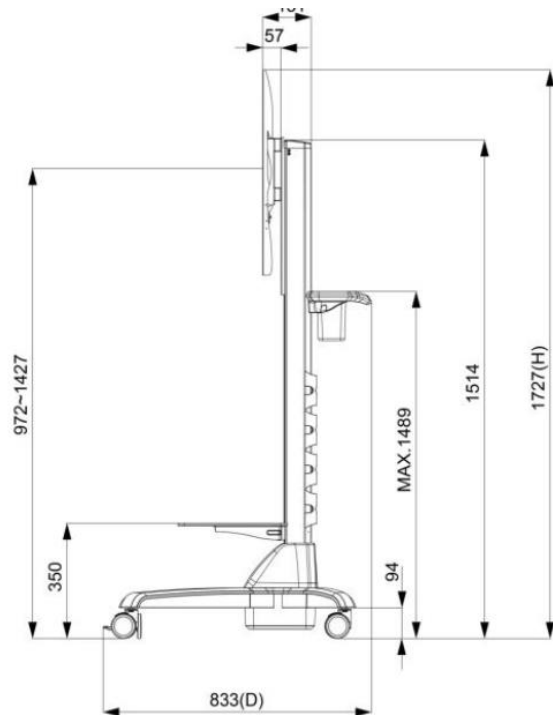
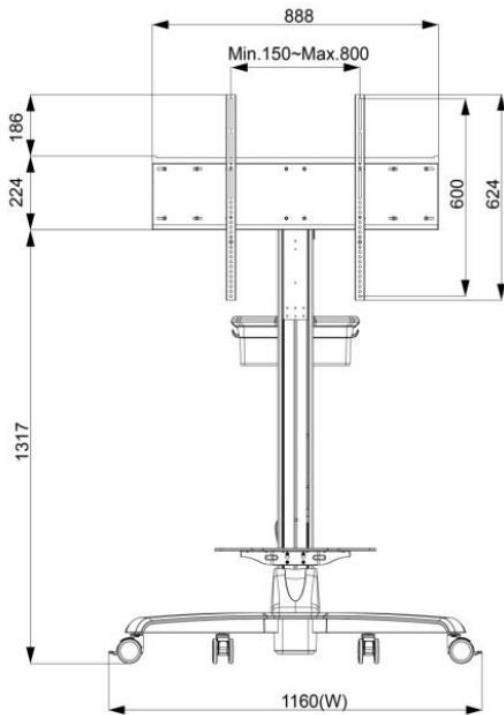
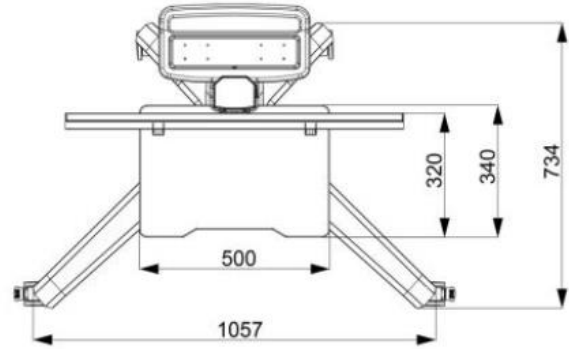
Material	SECC
Caster	4 (front 2 braking)
Ingress Protection	Front IP65
Power Socket	None (Wire Hole Reserved)



Optional Accessories (Cart)

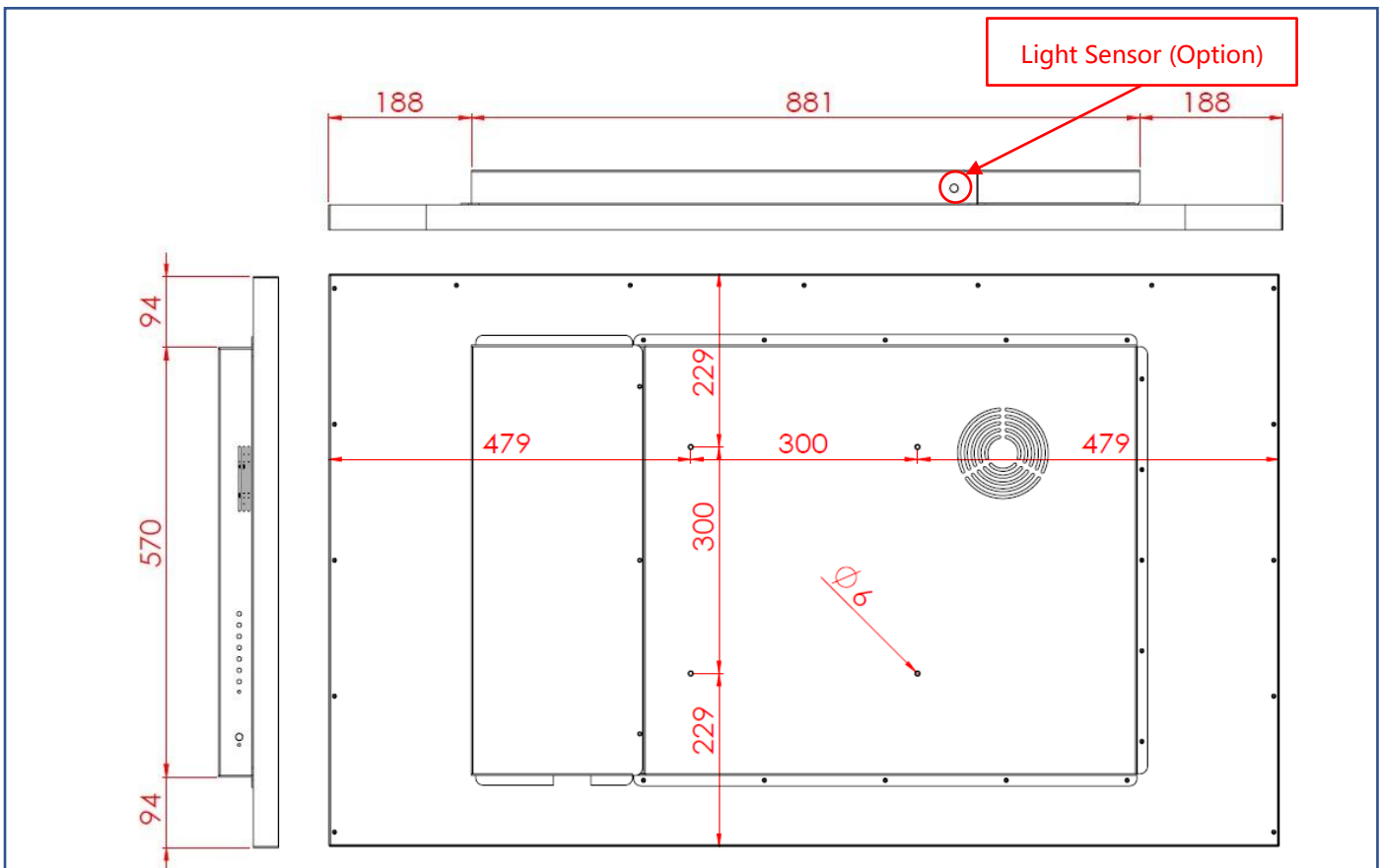
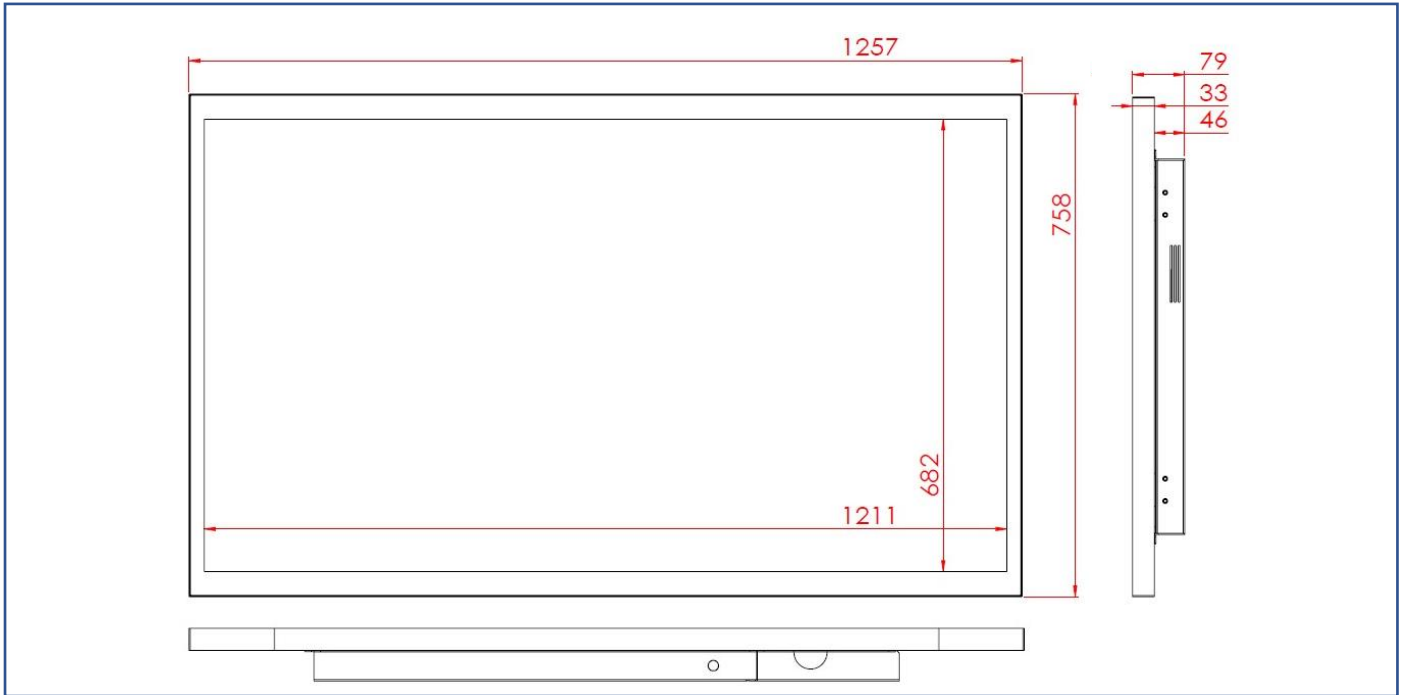


Net Weight	28.4 KG
Power System	AC 200~240V 50/60Hz
User Interface	Button (up/down)
Packaged Dimension	W1160xD833xH1727 mm
Screw Type	M4/M5/M6/M8
Material	Aluminum /Plastic/Steel
Max. Mount Pattern	800x600mm
Max. Weight Load	80 KG
Caster	4 (front 2 braking)
Height Adjust Range	455 mm
RoHS/REACH Compliance	Yes



Physical Specifications

Dimension (Max)	1257x758x118(±2)mm	Net Weight	≦ 38 KG
VESA Mounting	300x300 mm	Gross Weight	≦ 45 KG



Packing Information



Dimensions of Carton	153x96x23 CM
Net Weight	≤38 KG
Gross Weight	≤45 KG