



# Product Specifications

<b>Customer</b>	
<b>Model Name</b>	<b>NTWP150-1 V502E</b>
<b>Model Number</b>	<b>NTWP150<u>XXSXX</u>-G<u>lXX8XX</u>-<u>XX</u>04-502E</b>

\* X = A~Z, 0~9 (Depends on Options.)



Records of Revision			
Vision	Modifying	Old Description	New Description
v2208.1	Preliminary Specification		



## Features

- ★ 15 inch Industrial Grade Panel, 1024x768 Resolution
- ★ IVA Wide Viewing Angle Technology , 176°/176°
- ★ Operating Temperature Range -30~70°C
- ★ Intel® Quad-Core N3350/N4200 CPU
- ★ DDR3 8G DRAM
- ★ Narrow Bezel, True Flat Projected Capacitive Touch Screen
- ★ 7H Hardness Tempered Cover Glass
- ★ 10 points Multi-touch, Supports Active Stylus
- ★ Metal Cabinet with Diverse Combine Options
- ★ Made in Taiwan, 3 Years Warranty, Designed for Harsh Environments
- ★ Optional High Brightness 1500nits, for Outdoor Environment
- ★ Optional AG Coating/Antibacterial/Privacy Filter Surface Treatment



Desktop Stand



Wall Mounting



Open-frame Bracket



Panel Mount



## System Specifications

CPU	Intel® Celeron/Pentium Processor
Memory	DDR3 SO-DIMM 8G
Storage	SATAx1, M.2 M-key (SATA 6Gb/s) x1, Full-size Mini PCIe Slot x1
GPU	Intel® HD Graphics 500
Sound Chip	Realtek® Audio CODEC
Network	Intel® i211AT Gbe LAN Chips x2

## Display Specifications

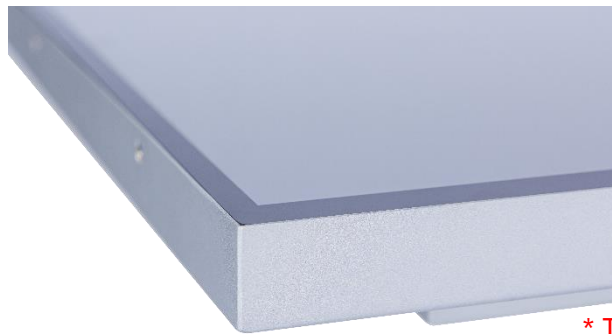
Screen Diagonal	15.0 inch	Display Mode	IVA Mode, Normally Black
Display Area	304.1x228.1	Backlight Unit	LED (white LED)
Resolution	1024x768	Viewing Angle (L/R, U/D)	176°/176°
Contrast Ratio	2500:1	Backlight Lifetime	>70,000 Hours
Display Ratio	4:3	Operating Temp.	-30~70°C
Support Colors	16.7M Colors	Storage Temp.	-40~70°C
Pixel Pitch	297x297 um	Surface Treatment	Anti-glare, Hardness 3H
Response Time	21 msec.		

## Display Options

Brightness			
	Brightness	Environment	Model Name
Standard	300nits	General (Indoor)	NTWP150NXSXX-GIXX8XX-XX04-502E
Option 1	1000nits	Outdoor Environment	NTWP150ASXX-GIXX8XX-XX04-502E
Option 2	1500nits	Sunlight Readable	NTWP150FXSXX-GIXX8XX-XX04-502E

## Touch Options

Projected Capacitive			
Model Name	NTWP150 <u>P</u> <u>S</u> <u>X</u> <u>X</u> -G <u>I</u> <u>X</u> <u>X</u> 8 <u>X</u> <u>X</u> - <u>X</u> <u>X</u> 04-502E		
Touch Technology	Projected Capacitive	Thickness of Cover Lens	1.8±0.2mm
Allowed Touch Points	10 points	Hardness of Cover Lens	7H
Transparency	≥87%	IK Ratings	IK07
Accuracy	99.00%		

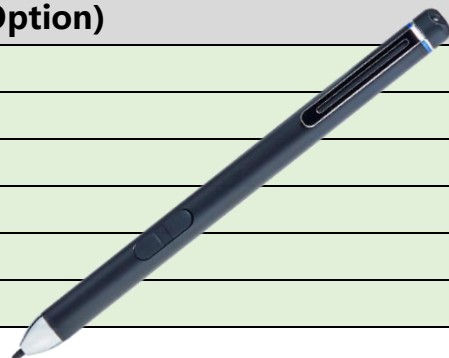


\* True Flat, 1mm Bezel

Non-Touch	
Model Name	NTWP150 <u>0</u> <u>S</u> <u>X</u> <u>X</u> -G <u>I</u> <u>X</u> <u>X</u> 8 <u>X</u> <u>X</u> - <u>X</u> <u>X</u> 04-502E

Surface Treatment Options		
	Description	Model Name
<b>Standard</b>	<b>(none)</b>	<b>NTWP150<u>X</u><u>X</u><u>S</u><u>00</u>-G<u>I</u><u>X</u><u>X</u>8<u>X</u><u>X</u>-<u>X</u><u>X</u>04-502E</b>
Option 1	Anti-Glare Coating	NTWP150 <u>X</u> <u>X</u> <u>S</u> <u>GG</u> -G <u>I</u> <u>X</u> <u>X</u> 8 <u>X</u> <u>X</u> - <u>X</u> <u>X</u> 04-502E
Option 2	Antibacterial (AB Film)	NTWP150 <u>X</u> <u>X</u> <u>S</u> <u>AB</u> -G <u>I</u> <u>X</u> <u>X</u> 8 <u>X</u> <u>X</u> - <u>X</u> <u>X</u> 04-502E
Option 3	Anti-Spy (AS Film)	NTWP150 <u>X</u> <u>X</u> <u>S</u> <u>SF</u> -G <u>I</u> <u>X</u> <u>X</u> 8 <u>X</u> <u>X</u> - <u>X</u> <u>X</u> 04-502E

Active Stylus (Option)	
Technology	Active Capacitive Coupled
Working Frequencies	90~250 KHZ
Pressure Level	256~1024 Levels
Side Buttons	2 Side Buttons (Eraser, Barrel)
Active Tip Force	5~25g
Max. Tip Force	400g





## System Options

CPU		
	Item	Model Name
<b>Standard</b>	<b>N3350</b>	<b>NTWP150XXSXX-GIC18XX-XX04-502E</b>
Option	N4200	NTWP150XXSXX-GIC28XX-XX04-502E

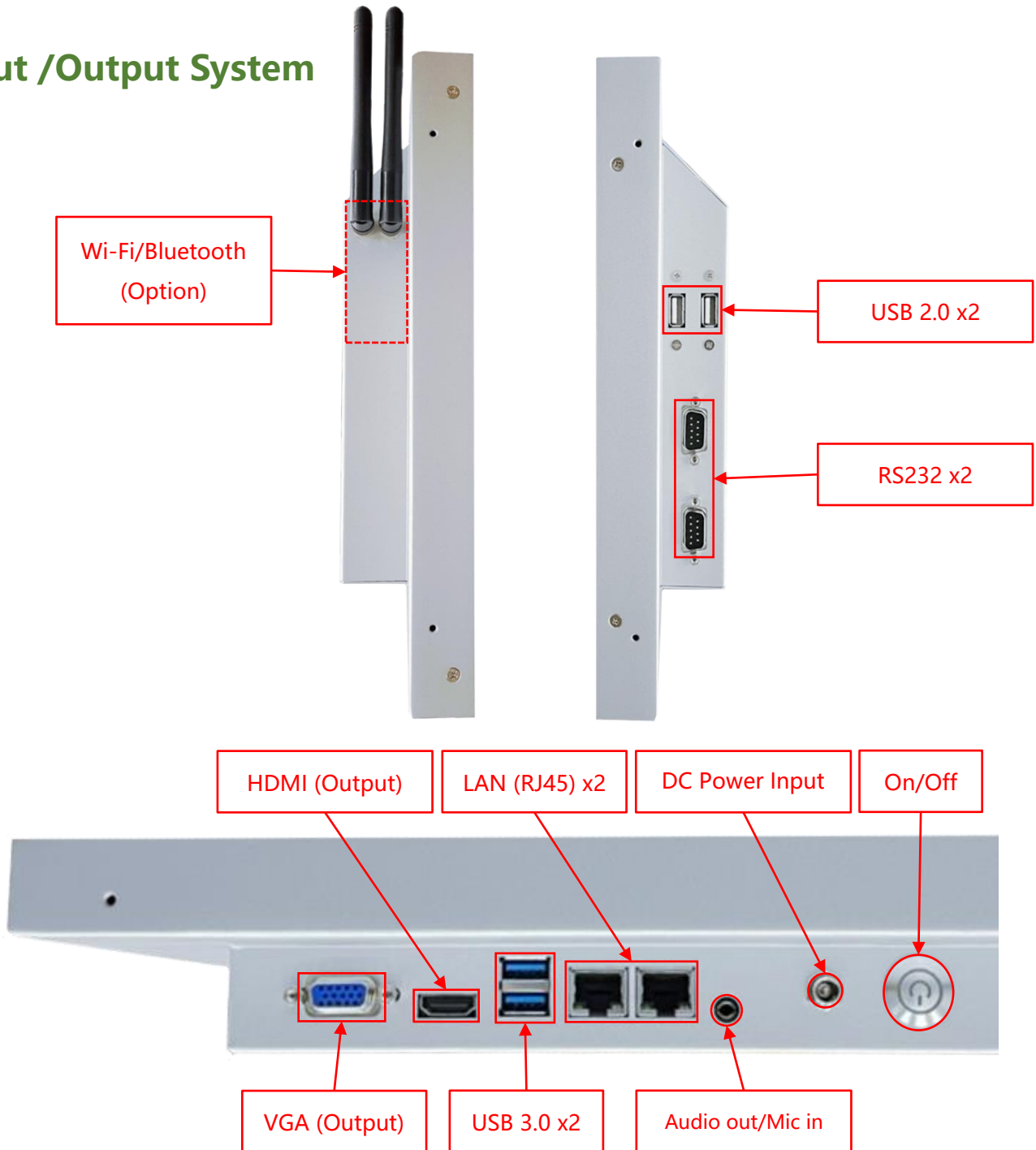
Storage		
	Item	Model Name
<b>Standard</b>	<b>SSD 128G</b>	<b>NTWP150XXSXX-GIXX8S1-XX04-502E</b>
Option 1	SSD 256G	NTWP150XXSXX-GIXX8S2-XX04-502E
Option 2	SSD 512G	NTWP150XXSXX-GIXX8S3-XX04-502E
Option 3	SSD 1TB	NTWP150XXSXX-GIXX8S4-XX04-502E

Material of Cabinet		
	Description	Model Name
<b>Standard</b>	<b>SECC</b>	<b>NTWP150XXSXX-GIXX8XX-SX04-502E</b>
Option 1	Stainless Steel	NTWP150XXSXX-GIXX8XX-LX04-502E
Option 2	Aluminum	NTWP150XXSXX-GIXX8XX-AX04-502E

Color of Cabinet		
	Description	Model Name
<b>Standard</b>	<b>Silver</b>	<b>NTWP150XXSXX-GIXX8XX-XS04-502E</b>
Option 1	White	NTWP150XXSXX-GIXX8XX-XW04-502E
Option 2	Black	NTWP150XXSXX-GIXX8XX-XB04-502E
Options	Other Colors	NTWP150XXSXX-GIXX8XX-XX04-502E

\* X = A~Z, 0~9 (Depends on Color)

## Input /Output System

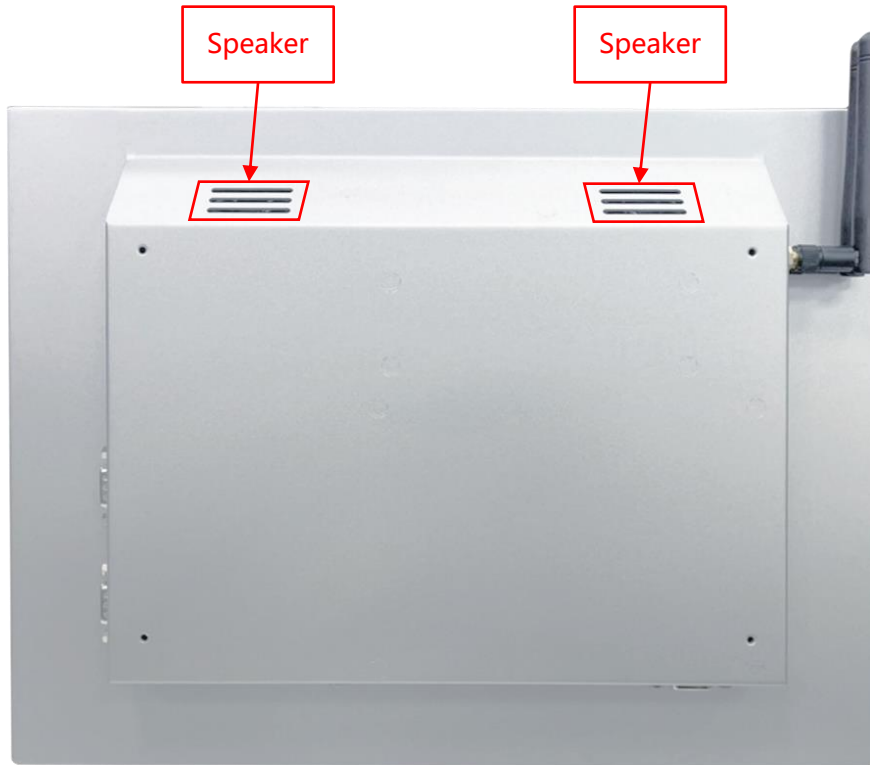


Input / Output	Connectors	Input / Output	Connectors
HDMI (Output)	1	USB 3.0	2
VGA (Output)	1	USB 2.0	2
Audio Output /Mic Input (3.5mm)	1	RS232	2
DC Power Input	1	LAN (RJ45)	2
Speakers	2W x2	Wi-Fi/Bluetooth & Antenna	Option

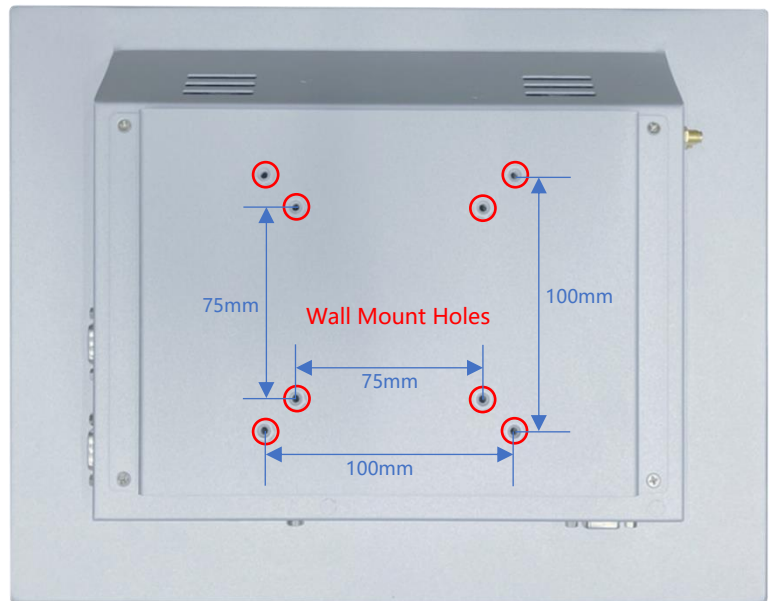


# Nextech WP Series 15" All-in-one Industrial Touch PC

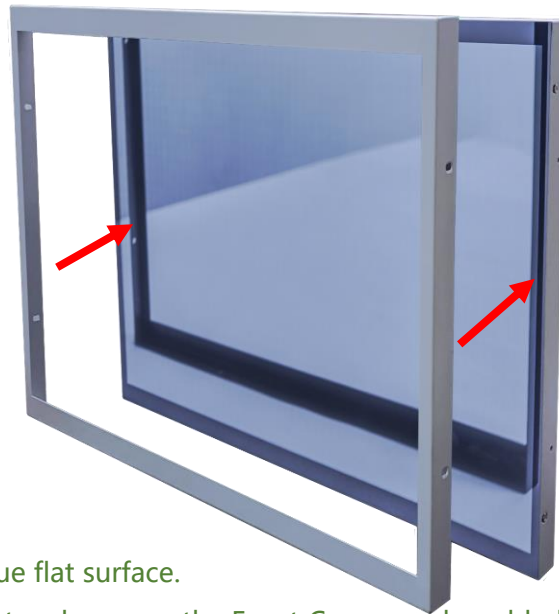
**NTWP150-1 V502E**



## Mounting Plate (Option)



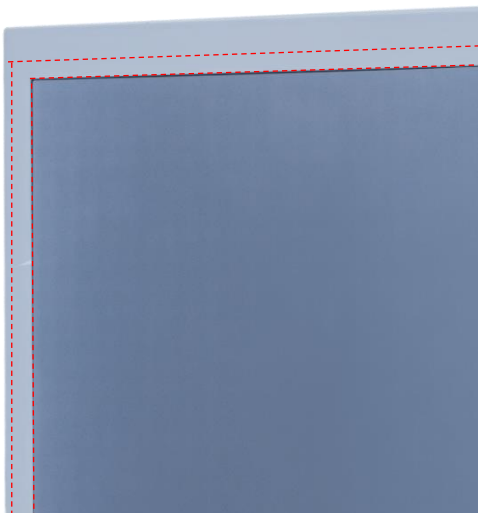
## Front Cover (Option)



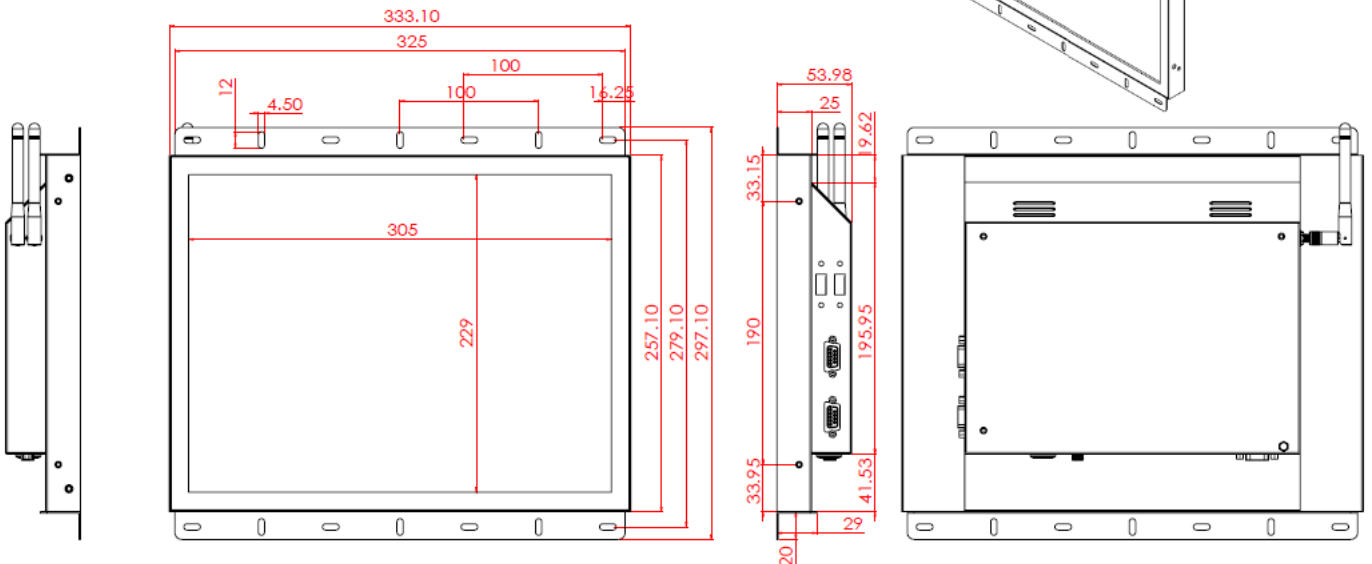
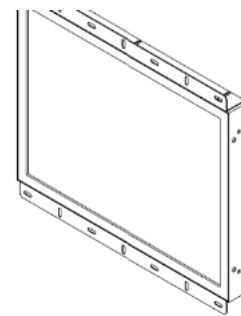
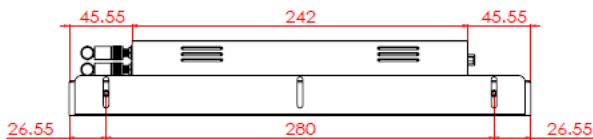
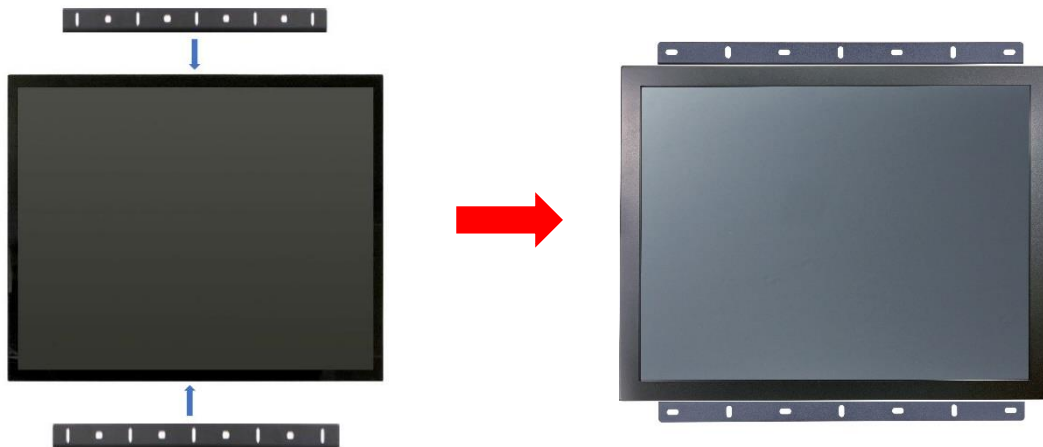
The standard **NTWP150** is true flat surface.  
To protect the corners of the touch screen, the Front Cover can be added.



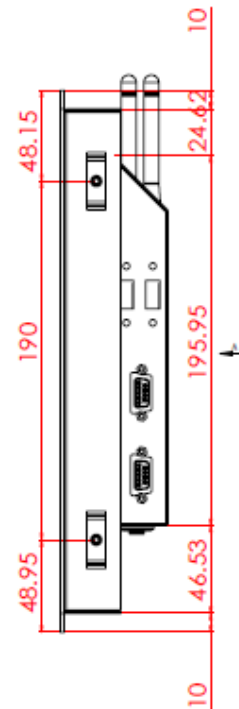
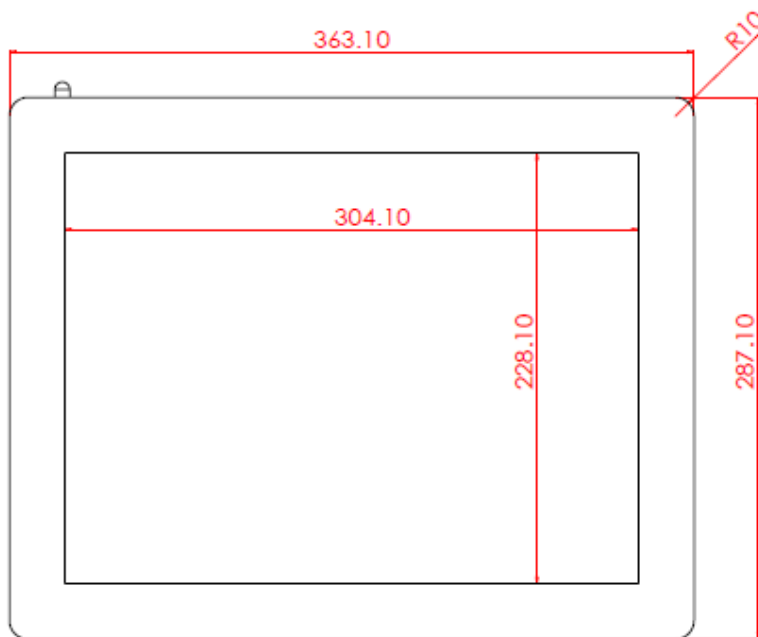
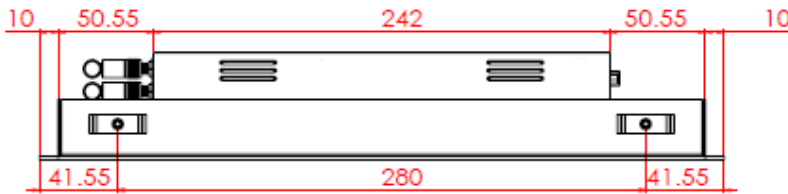
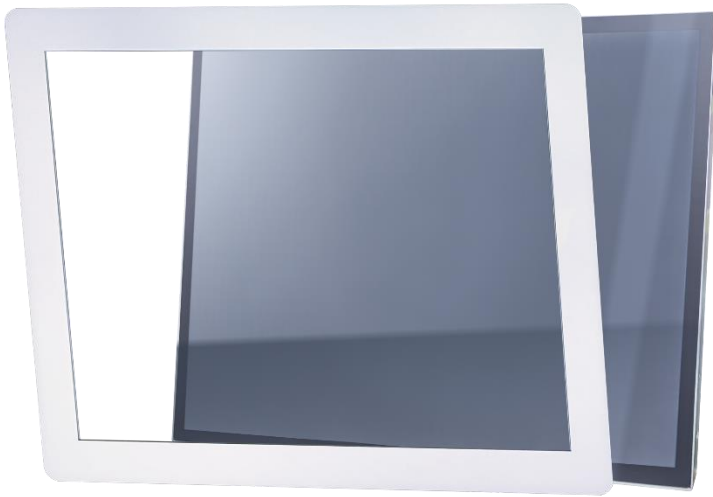
The watertight gasket can be added between the Front Cover and **NTWP150**.  
It complies **IP65** on front.

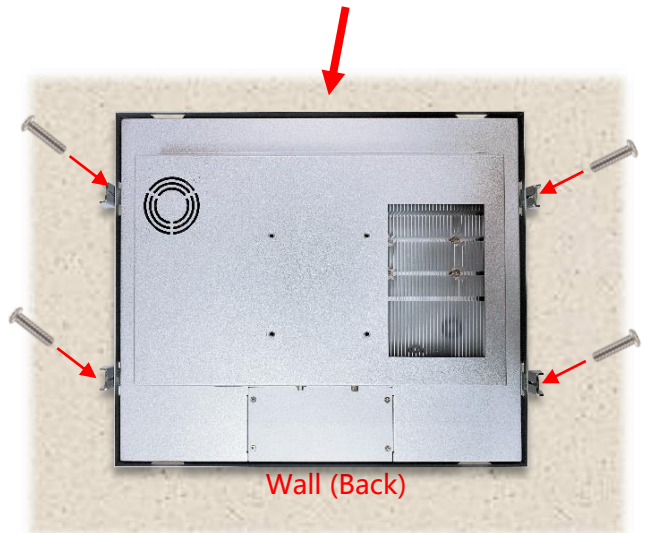
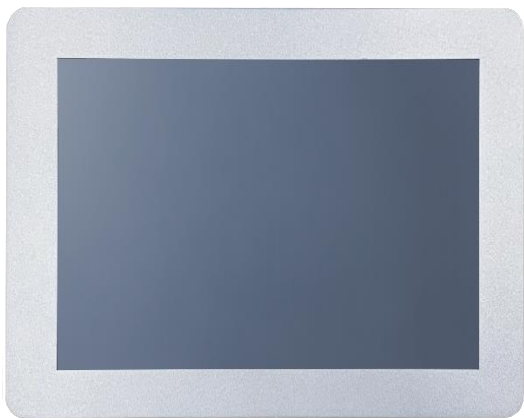
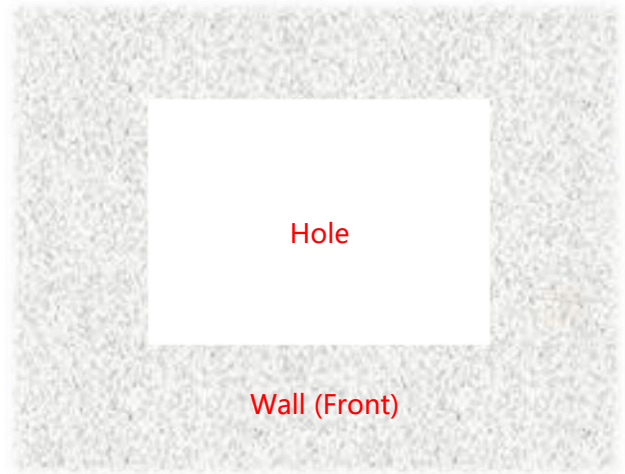
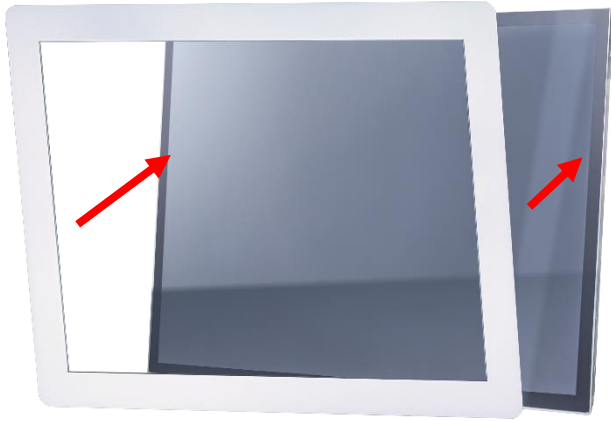


## Open-frame Brackets (Option)



### Panel Mount Kits (Option)





### Desktop Stand (Option)

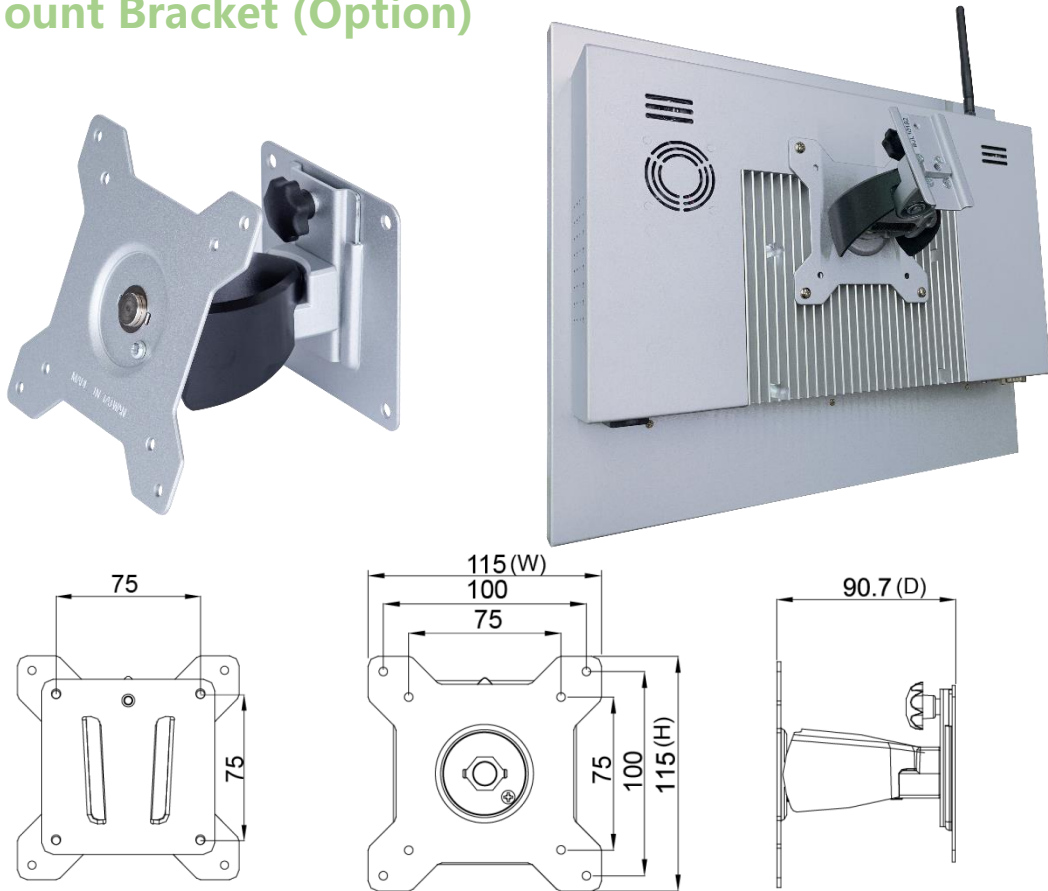
Item	L Stand	Part No.	DST-0B004/DST-1B004
Mounting Pattern	100x100 / 75x75 mm	Dimension (WxHxD)	194x194x222 mm
Material	SECC	Net Weight	1.4 KG
Tilt (Hinge)	105°	Support Max. Weight	15 KG



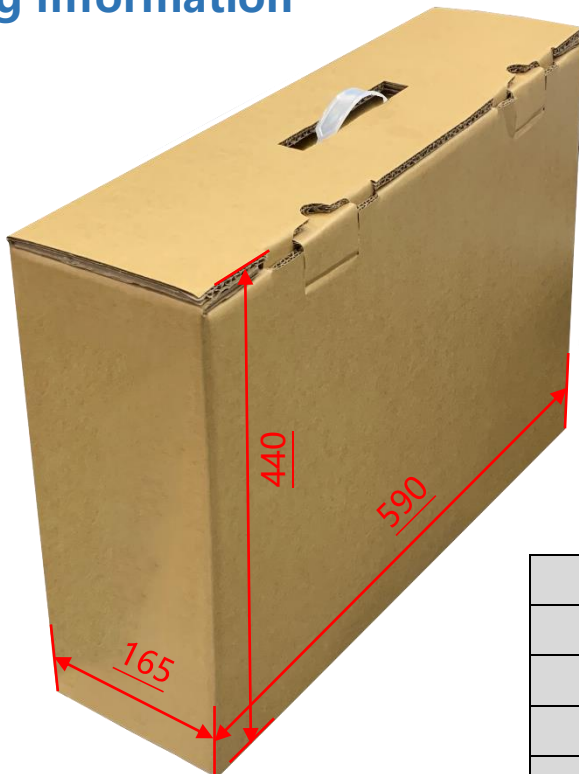
Item	B Stand	Part No.	DST-0B002/DST-1B002
Mounting Pattern	100x100 / 75x75 mm	Dimension (WxHxD)	203x275x227 mm
Material	Steel/Plastic/Aluminum	Net Weight	1.8 KG
Tilt (Hinge)	-2° ~ +180°	Support Max. Weight	15 KG



### Wall Mount Bracket (Option)



### Packing Information

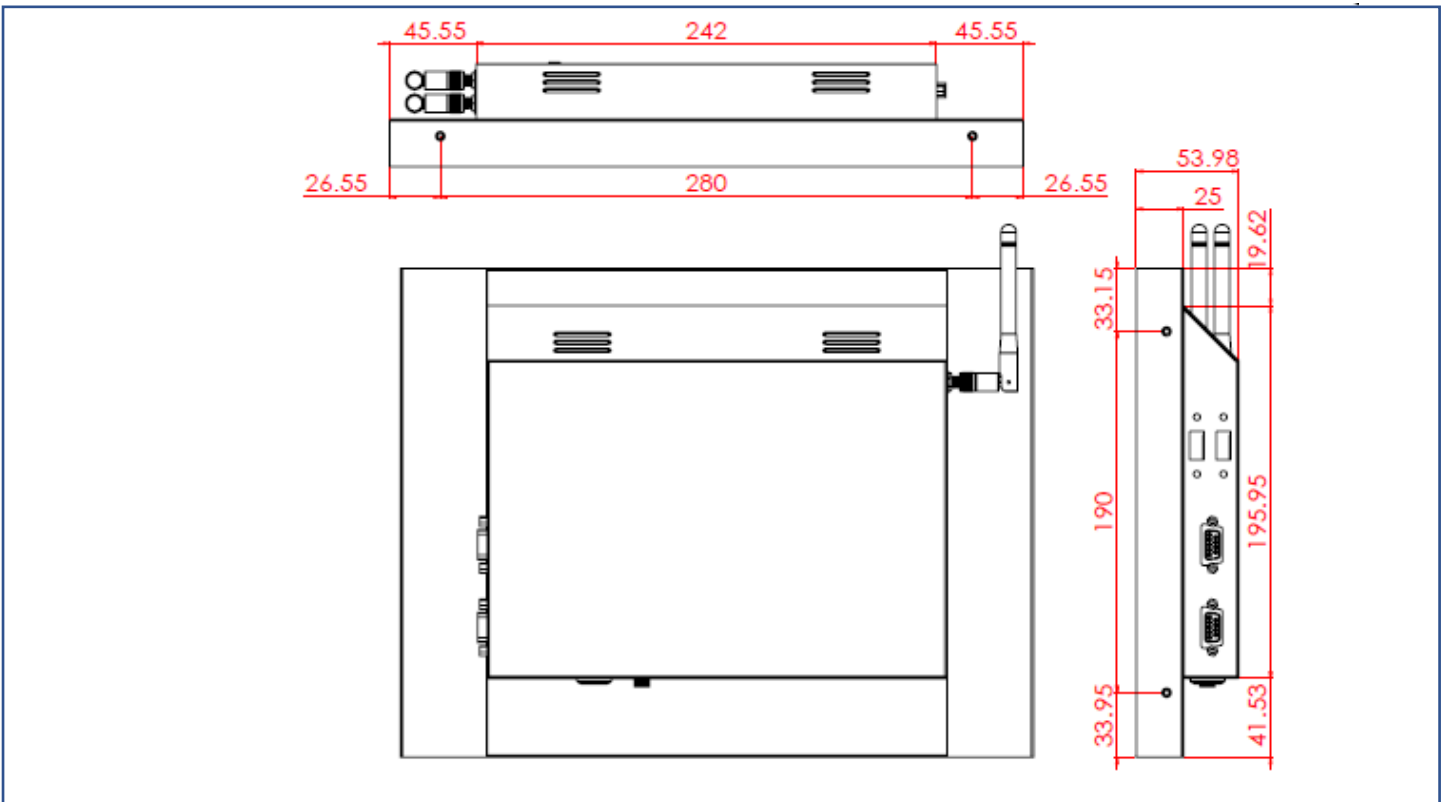
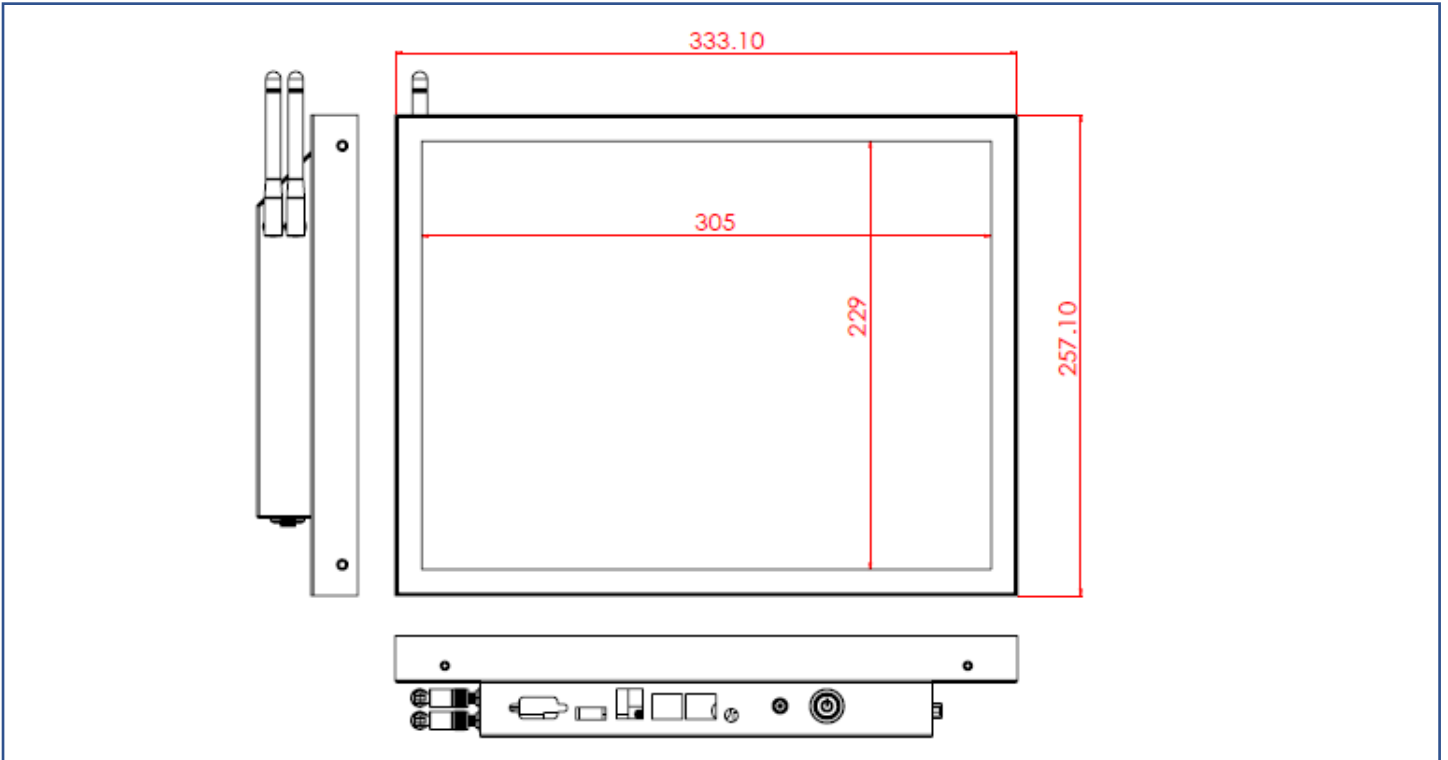


Unit Carton Size	<b>590x165x440 mm</b>
Unit N. Weight	<b>≤3.1 KG</b>
Unit G. Weight	<b>≤4.9 KG</b>
Units per Pallet	<b>36 units</b>
Pallet Size	<b>120x100x147 CM</b>



## Physical Specifications

Dimension	333x257x54(±2)mm (W/O Antenna)	Net Weight	≤3.1 KG
-----------	--------------------------------	------------	---------



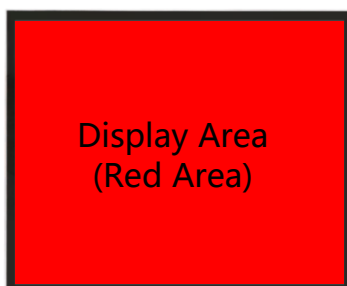
## Cosmetic Inspection Standard

Display Area Allowance			
Defect description	Defective Specifications	Allowance	Remarks
Dot Defect (including dark dot, particles, bubbles, pits, dust, foreign matter)	$D \leq 0.2\text{mm}$	Ignored	D=Diameter
	$0.2 < D \leq 0.7\text{mm}$	$N \leq 5$	N=Quantity
	$0.7 < D \leq 1\text{mm}$	$N \leq 3$	
	$D > 1\text{mm}$	$N \leq 0$	
Linear Defect (including scratches, fluff, particles)	$W \leq 0.15\text{mm}$	Ignored	W=Width
	$0.15 < W \leq 0.5\text{mm}, L \leq 15\text{mm}$	$N \leq 2$	L=Length
	$W > 0.5\text{mm}$ or $L > 15\text{mm}$	NG	

\* Visual inspection distance: 60cm, 90 degree (same for front/side/back)

Front Appearance Allowance (Including Coating)			
Defect description	Defective Specifications	Allowance	Remarks
Dot Defect (including particles, bubbles, pits...etc.)	$D \leq 0.7\text{mm}$	Ignored	D=Diameter
	$0.7 < D \leq 1.5\text{mm}$	$N \leq 3$	N=Quantity
	$D > 1.5\text{mm}$	$N \leq 0$	
Linear Defect (including scratches, fluff, particles)	$W \leq 0.2\text{mm}, L \leq 15\text{mm}$	Ignored	W=Width, L=Length
	$0.2 < W \leq 0.7\text{mm}, L \leq 15\text{mm}$	$N \leq 1$	
	$W > 0.7\text{mm}$ or $L > 15\text{mm}$	NG	

Side / Back Appearance Allowance (Including Coating)			
Defect description	Defective Specifications	Allowance	Remarks
Dot Defect (including particles, bubbles, pits...etc.)	$D \leq 1.5\text{mm}$	Ignored	D=Diameter
	$1.5 < D \leq 3\text{mm}$	$N \leq 8$	N=Quantity
	$D > 3\text{mm}$	$N \leq 2$	
Linear Defect (including scratches, fluff, particles)	$W \leq 0.8\text{mm}, L \leq 15\text{mm}$	Ignored	W=Width, L=Length
	$0.8 < W \leq 1.5\text{mm}, L \leq 15\text{mm}$	$N \leq 5$	
	$W > 1.5\text{mm}$ or $L > 15\text{mm}$	NG	



Display Area  
(Red Area)



Front Appearance (Red Area)



Back Appearance