



# Product Specifications

|                     |  |
|---------------------|--|
| <b>Customer</b>     |  |
| <b>Model Name</b>   | <b>NTWP150-2 V502E</b>                                     |
| <b>Model Number</b> | <b>NTWP150<u>XX2XX</u>-G<u>lXX8XX</u>-<u>XX</u>04-502E</b> |

\* X = A~Z, 0~9 (Depends on Options.)



| Records of Revision |                           |                 |                 |
|---------------------|---------------------------|-----------------|-----------------|
| Vision              | Modifying                 | Old Description | New Description |
| v2208.1             | Preliminary Specification |                 |                 |
|                     |                           |                 |                 |
|                     |                           |                 |                 |
|                     |                           |                 |                 |
|                     |                           |                 |                 |
|                     |                           |                 |                 |



## Features

- ★ 15 inch Industrial Grade Panel, 1024x768 Resolution
- ★ IVA Wide Viewing Angle Technology , 176°/176°
- ★ Operating Temperature Range -30~80°C
- ★ Intel® Quad-Core N3350/N4200 CPU
- ★ DDR3 8G DRAM
- ★ Narrow Bezel, True Flat Projected Capacitive Touch Screen
- ★ 7H Hardness Tempered Cover Glass
- ★ 10 points Multi-touch, Supports Active Stylus
- ★ Metal Cabinet with Diverse Combine Options
- ★ Made in Taiwan, 3 Years Warranty, Designed for Harsh Environments
- ★ Optional High Brightness 1500nits, for Outdoor Environment
- ★ Optional AG Coating/Antibacterial/Privacy Filter Surface Treatment



Desktop Stand



Wall Mounting



Open-frame Bracket



Panel Mount



## System Specifications

|            |  |
|------------|--|
| CPU        | Intel® Celeron/Pentium Processor                               |
| Memory     | DDR3 SO-DIMM 8G  |
| Storage    | SATAx1, M.2 M-key (SATA 6Gb/s) x1, Full-size Mini PCIe Slot x1 |
| GPU        | Intel® HD Graphics 500   |
| Sound Chip | Realtek® Audio CODEC   |
| Network    | Intel® i211AT Gbe LAN Chips x2                                 |

## Display Specifications

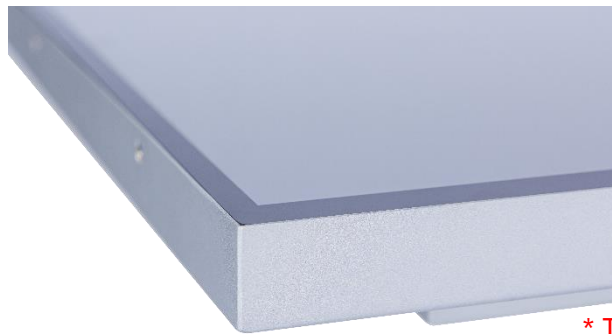
|                 |              |                          |                          |
|-----------------|--------------|--------------------------|--------------------------|
| Screen Diagonal | 15.0 inch    | Display Mode             | IVA Mode, Normally Black |
| Display Area    | 304.1x228.1  | Backlight Unit           | LED (white LED)          |
| Resolution      | 1024x768     | Viewing Angle (L/R, U/D) | 176°/176°                |
| Contrast Ratio  | 2500:1       | Backlight Lifetime       | >70,000 Hours            |
| Display Ratio   | 4:3          | Operating Temp.          | -30~80°C                 |
| Support Colors  | 16.7M Colors | Storage Temp.            | -40~85°C                 |
| Pixel Pitch     | 297x297 um   | Surface Treatment        | Anti-glare, Hardness 3H  |
| Response Time   | 18 msec.     |                          |                          |

## Display Options

| Brightness |            |                     |                                |
|------------|------------|---------------------|--------------------------------|
|            | Brightness | Environment         | Model Name                     |
| Standard   | 500nits    | General (Indoor)    | NTWP150NX2XX-GIXX8XX-XX04-502E |
| Option 1   | 1000nits   | Outdoor Environment | NTWP150AX2XX-GIXX8XX-XX04-502E |
| Option 2   | 1500nits   | Sunlight Readable   | NTWP150FX2XX-GIXX8XX-XX04-502E |

## Touch Options

| Projected Capacitive |  |                         |           |
|----------------------|--|-------------------------|-----------|
| Model Name           | NTWP150 <u>P</u> 2XX-GIXX8XX-XX04-502E |                         |           |
| Touch Technology     | Projected Capacitive                   | Thickness of Cover Lens | 1.8±0.2mm |
| Allowed Touch Points | 10 points                              | Hardness of Cover Lens  | 7H        |
| Transparency         | ≥87%                                   | IK Ratings              | IK07      |
| Accuracy             | 99.00%                                 |                         |           |

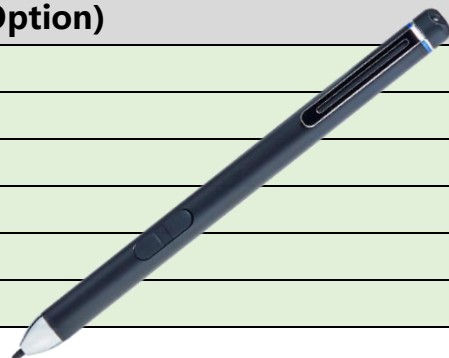


\* True Flat, 1mm Bezel

| Non-Touch  |  |
|------------|--|
| Model Name | NTWP150 <u>0</u> 2XX-GIXX8XX-XX04-502E |

| Surface Treatment Options |                         |  |
|---------------------------|-------------------------|--|
|                           | Description             | Model Name                                   |
| <b>Standard</b>           | <b>(none)</b>           | <b>NTWP150XX2<u>00</u>-GIXX8XX-XX04-502E</b> |
| Option 1                  | Anti-Glare Coating      | NTWP150XX2 <u>GG</u> -GIXX8XX-XX04-502E      |
| Option 2                  | Antibacterial (AB Film) | NTWP150XX2 <u>AB</u> -GIXX8XX-XX04-502E      |
| Option 3                  | Anti-Spy (AS Film)      | NTWP150XX2 <u>SF</u> -GIXX8XX-XX04-502E      |

| Active Stylus (Option) |                                 |
|------------------------|---------------------------------|
| Technology             | Active Capacitive Coupled       |
| Working Frequencies    | 90~250 KHZ                      |
| Pressure Level         | 256~1024 Levels                 |
| Side Buttons           | 2 Side Buttons (Eraser, Barrel) |
| Active Tip Force       | 5~25g                           |
| Max. Tip Force         | 400g                            |





## System Options

| CPU             |              |                                       |
|-----------------|--------------|---------------------------------------|
|                 | Item         | Model Name                            |
| <b>Standard</b> | <b>N3350</b> | <b>NTWP150XX2XX-GIC18XX-XX04-502E</b> |
| Option          | N4200        | NTWP150XX2XX-GIC28XX-XX04-502E        |

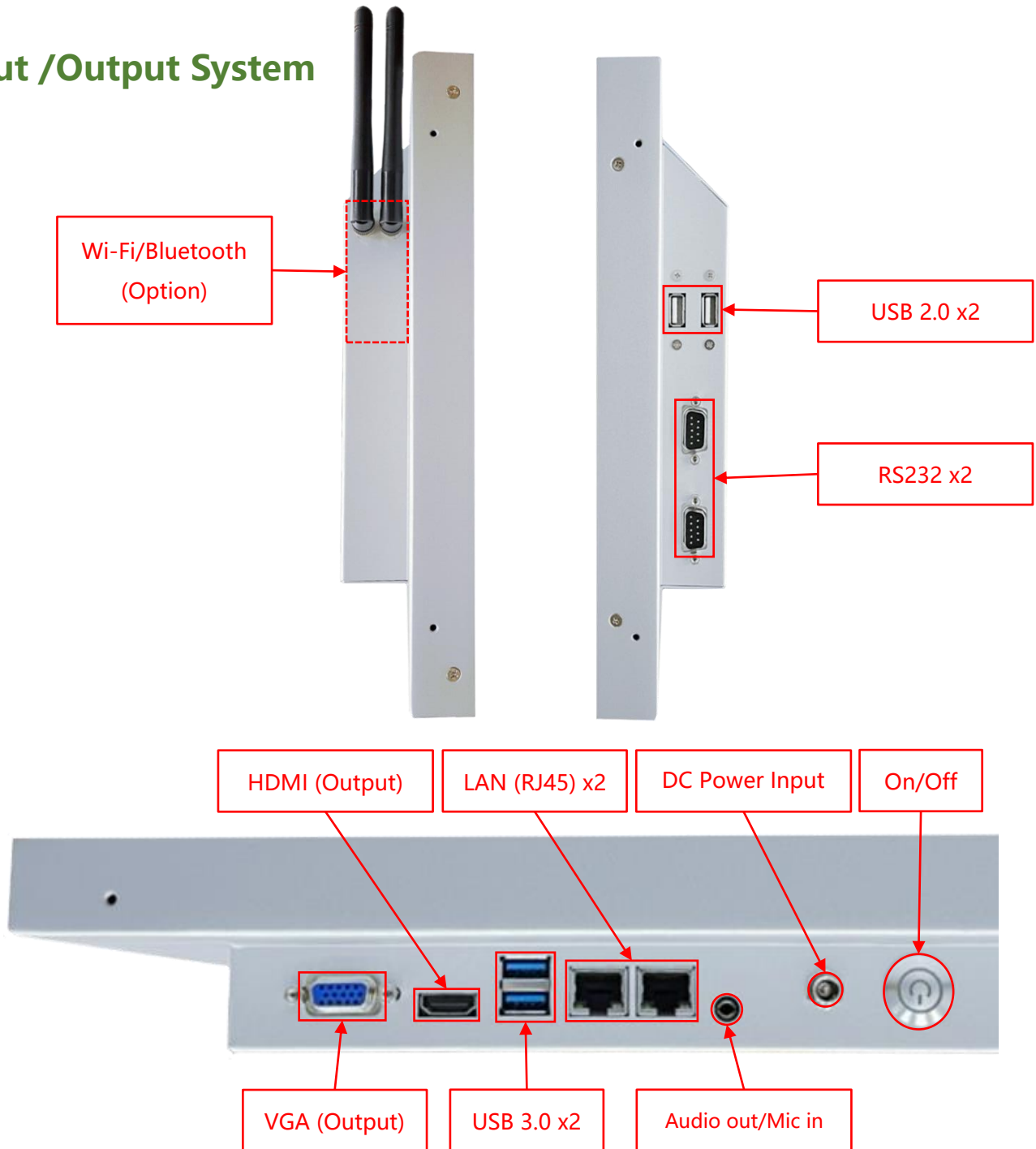
| Storage         |                 |                                       |
|-----------------|-----------------|---------------------------------------|
|                 | Item            | Model Name                            |
| <b>Standard</b> | <b>SSD 128G</b> | <b>NTWP150XX2XX-GIXX8S1-XX04-502E</b> |
| Option 1        | SSD 256G        | NTWP150XX2XX-GIXX8S2-XX04-502E        |
| Option 2        | SSD 512G        | NTWP150XX2XX-GIXX8S3-XX04-502E        |
| Option 3        | SSD 1TB         | NTWP150XX2XX-GIXX8S4-XX04-502E        |

| Material of Cabinet |                 |                                       |
|---------------------|-----------------|---------------------------------------|
|                     | Description     | Model Name                            |
| <b>Standard</b>     | <b>SECC</b>     | <b>NTWP150XX2XX-GIXX8XX-SX04-502E</b> |
| Option 1            | Stainless Steel | NTWP150XX2XX-GIXX8XX-LX04-502E        |
| Option 2            | Aluminum        | NTWP150XX2XX-GIXX8XX-AX04-502E        |

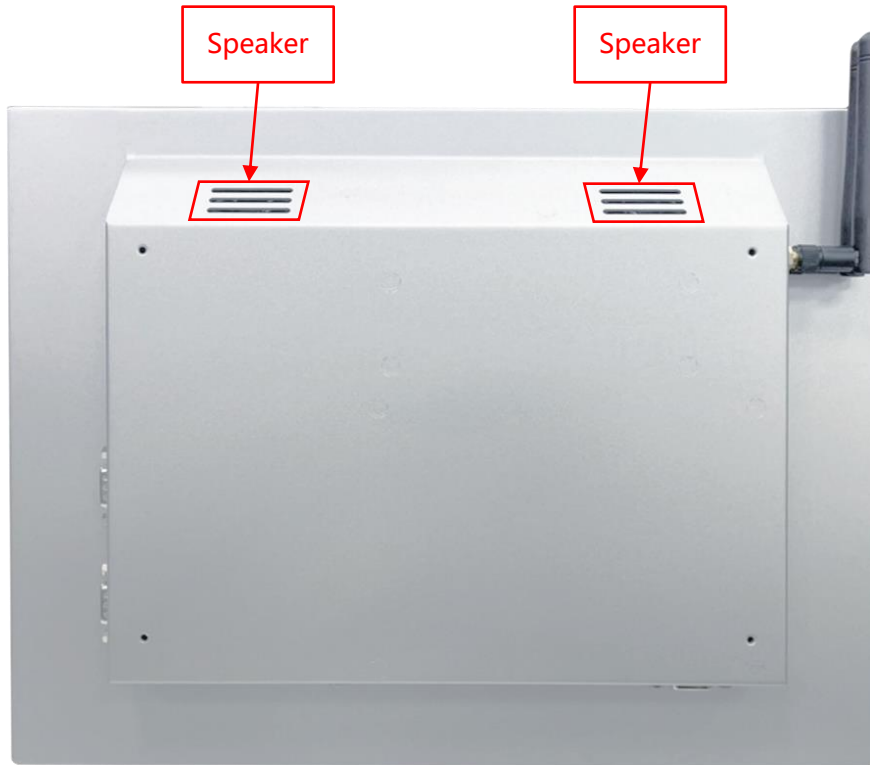
| Color of Cabinet |               |                                       |
|------------------|---------------|---------------------------------------|
|                  | Description   | Model Name                            |
| <b>Standard</b>  | <b>Silver</b> | <b>NTWP150XX2XX-GIXX8XX-XS04-502E</b> |
| Option 1         | White         | NTWP150XX2XX-GIXX8XX-XW04-502E        |
| Option 2         | Black         | NTWP150XX2XX-GIXX8XX-XB04-502E        |
| Options          | Other Colors  | NTWP150XX2XX-GIXX8XX-XX04-502E        |

\* X = A~Z, 0~9 (Depends on Color)

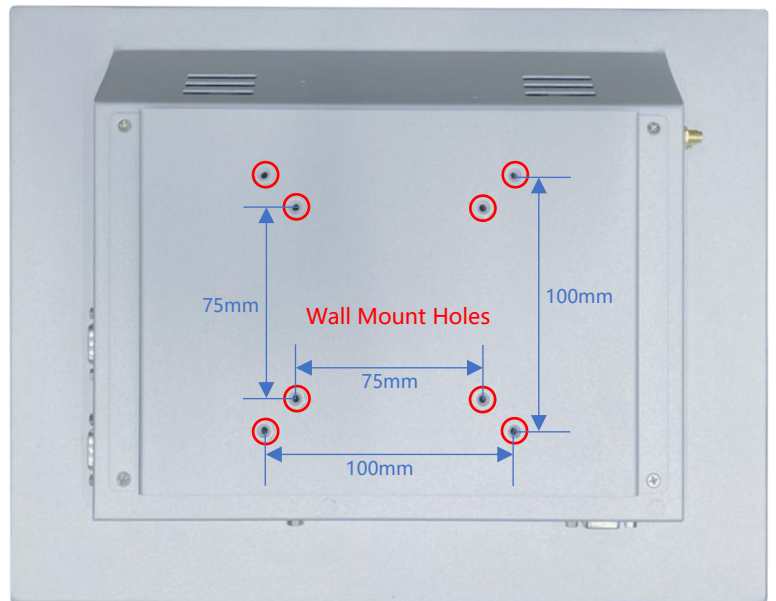
## Input /Output System



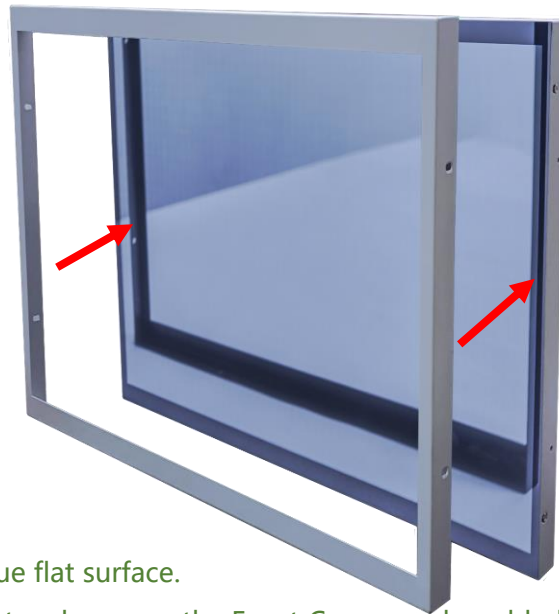
| Input / Output                  | Connectors | Input / Output            | Connectors |
|---------------------------------|------------|---------------------------|------------|
| HDMI (Output)                   | 1          | USB 3.0                   | 2          |
| VGA (Output)                    | 1          | USB 2.0                   | 2          |
| Audio Output /Mic Input (3.5mm) | 1          | RS232                     | 2          |
| DC Power Input                  | 1          | LAN (RJ45)                | 2          |
| Speakers                        | 2W x2      | Wi-Fi/Bluetooth & Antenna | Option     |



### Mounting Plate (Option)



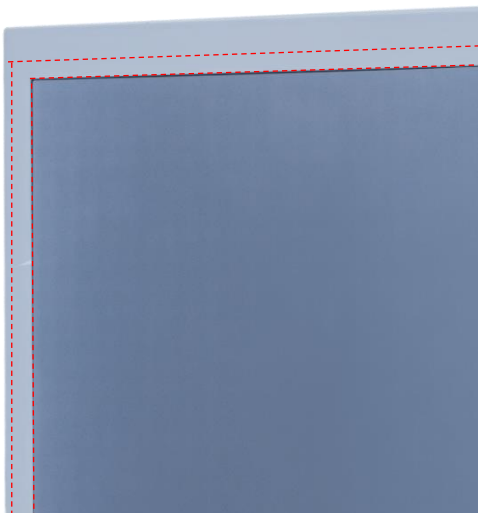
## Front Cover (Option)



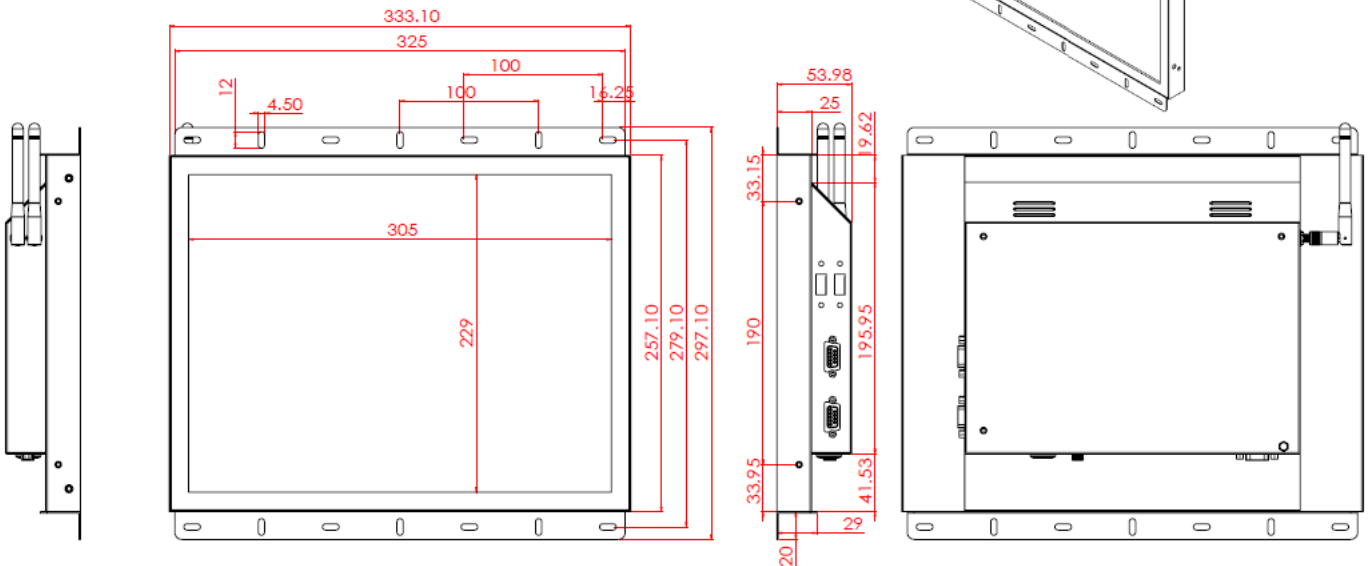
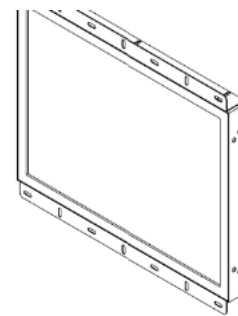
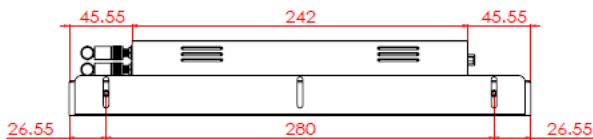
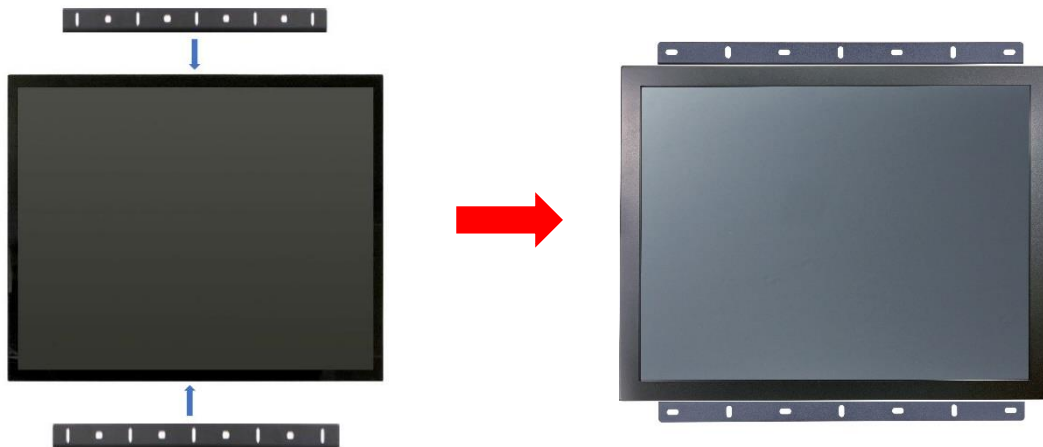
The standard **NTWP150** is true flat surface.  
To protect the corners of the touch screen, the Front Cover can be added.



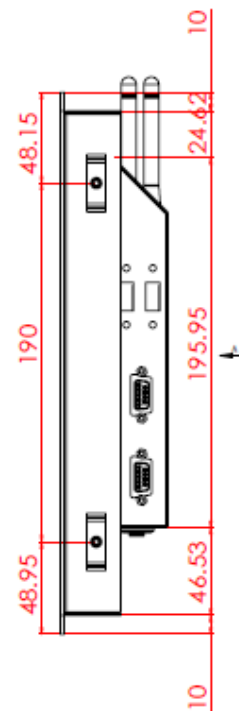
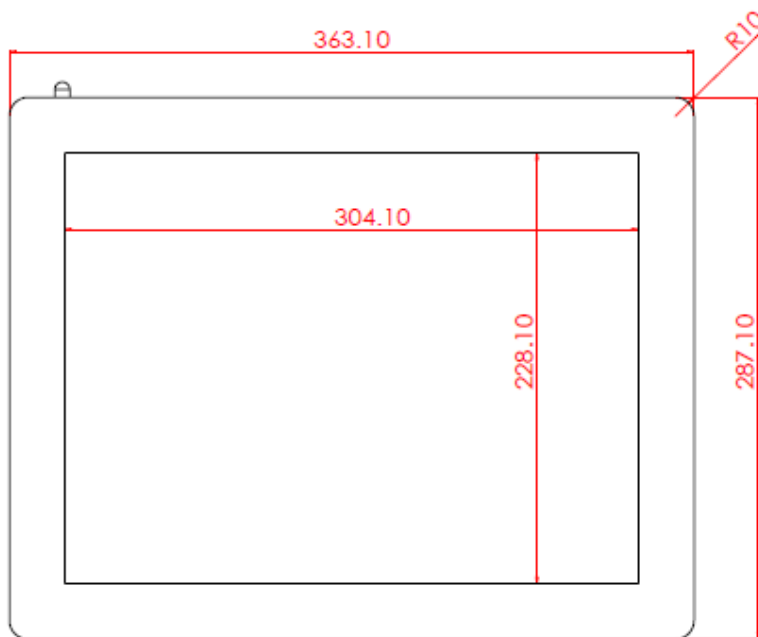
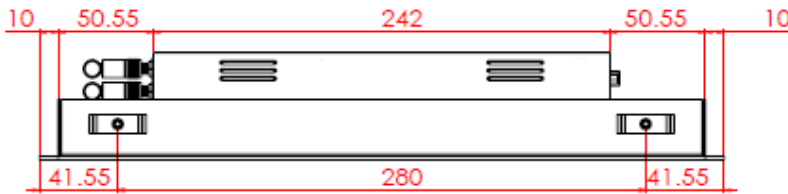
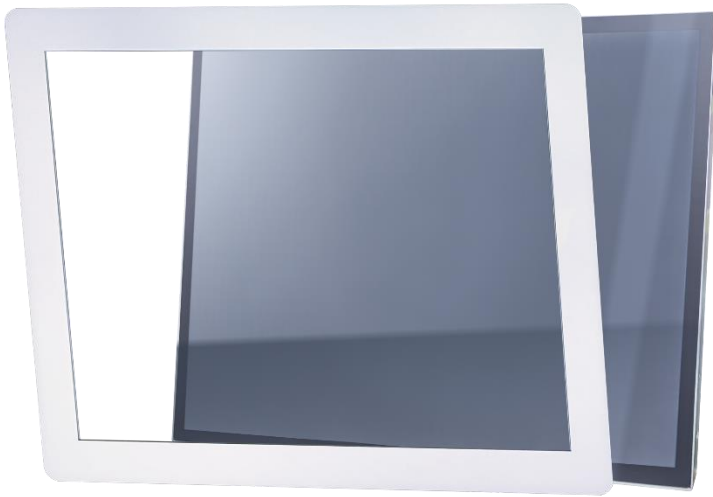
The watertight gasket can be added between the Front Cover and **NTWP150**.  
It complies **IP65** on front.

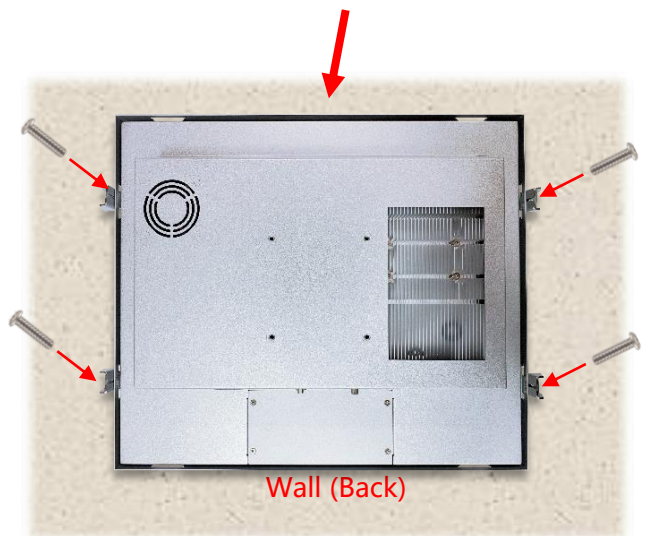
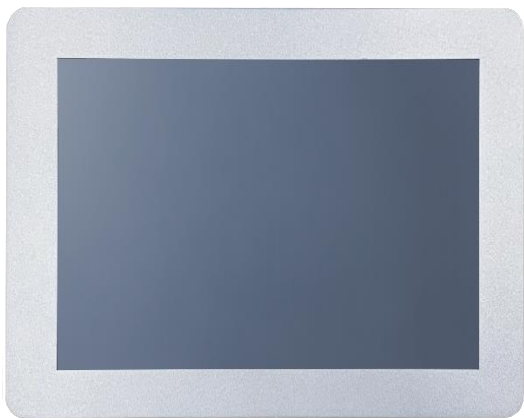
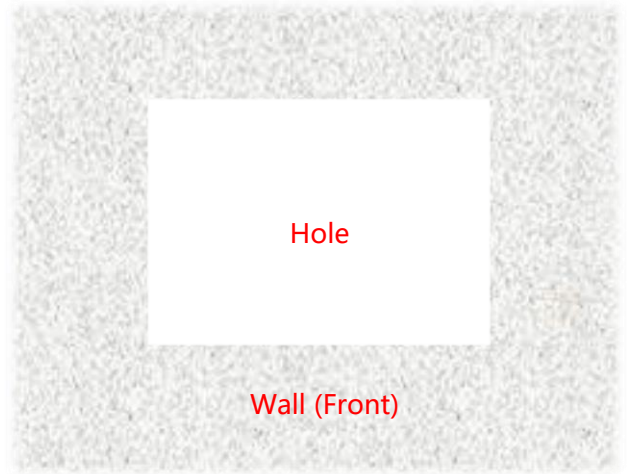
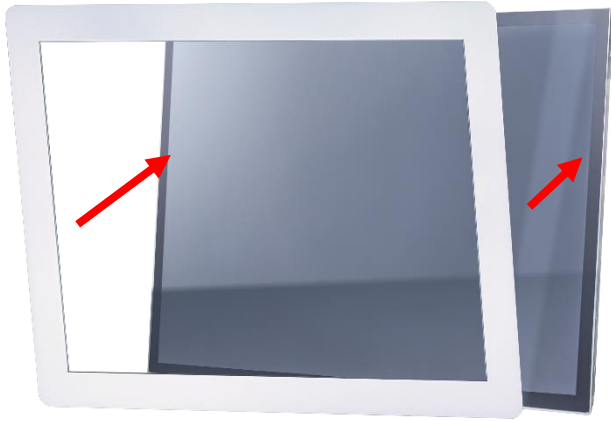


## Open-frame Brackets (Option)



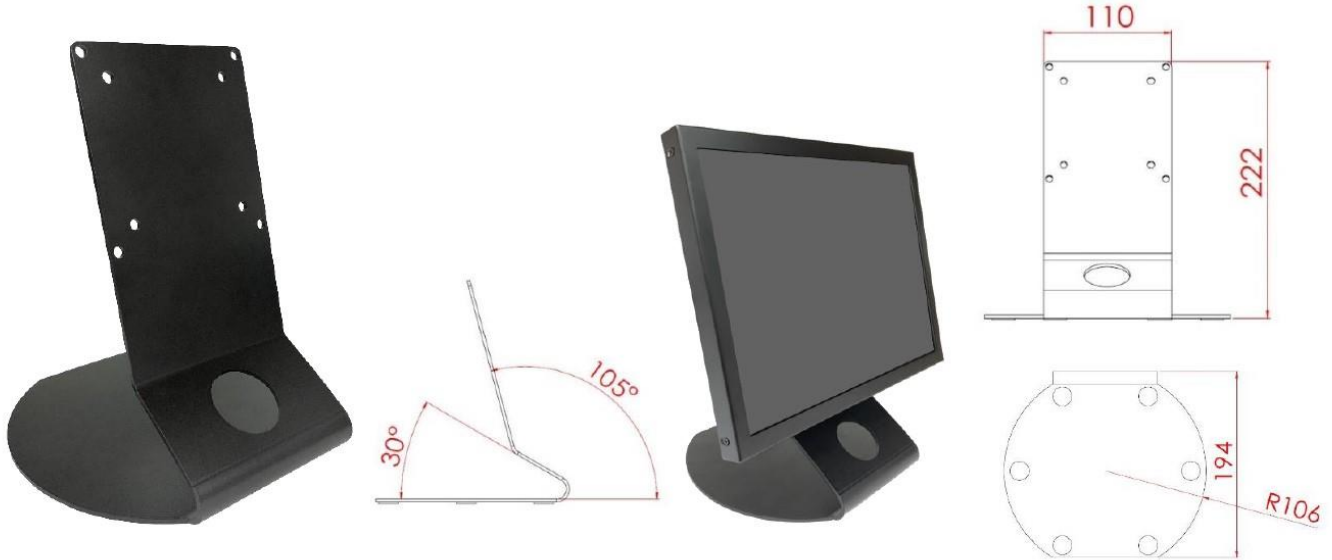
### Panel Mount Kits (Option)





### Desktop Stand (Option)

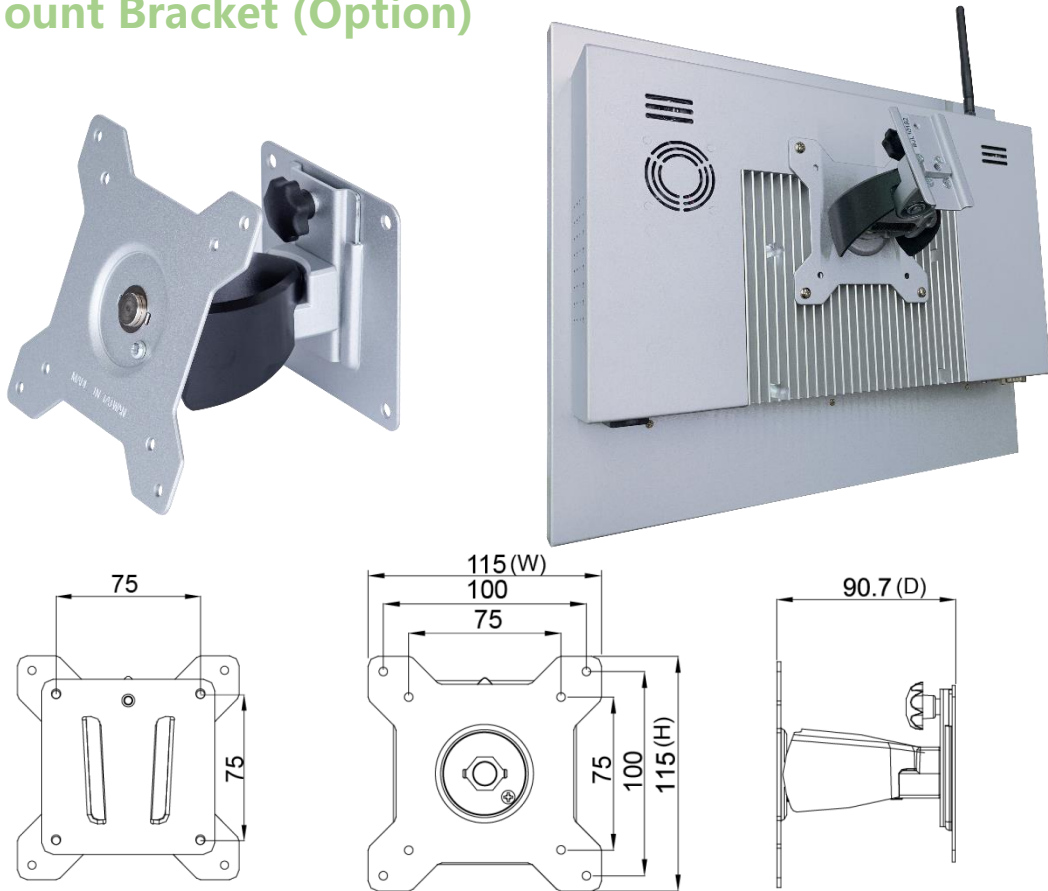
|                  |                    |                     |                     |
|------------------|--------------------|---------------------|---------------------|
| Item             | L Stand            | Part No.            | DST-0B004/DST-1B004 |
| Mounting Pattern | 100x100 / 75x75 mm | Dimension (WxHxD)   | 194x194x222 mm      |
| Material         | SECC               | Net Weight          | 1.4 KG              |
| Tilt (Hinge)     | 105°               | Support Max. Weight | 15 KG               |



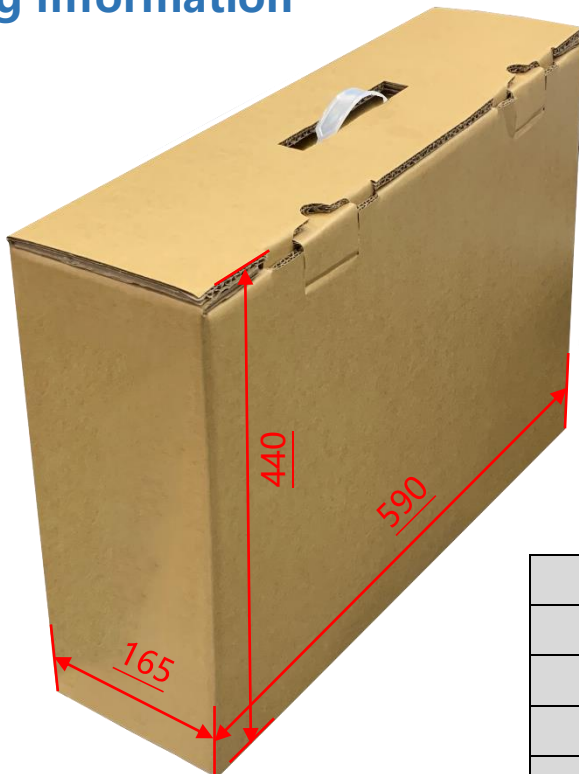
|                  |                        |                     |                     |
|------------------|------------------------|---------------------|---------------------|
| Item             | B Stand                | Part No.            | DST-0B002/DST-1B002 |
| Mounting Pattern | 100x100 / 75x75 mm     | Dimension (WxHxD)   | 203x275x227 mm      |
| Material         | Steel/Plastic/Aluminum | Net Weight          | 1.8 KG              |
| Tilt (Hinge)     | -2° ~ +180°            | Support Max. Weight | 15 KG               |



### Wall Mount Bracket (Option)



### Packing Information

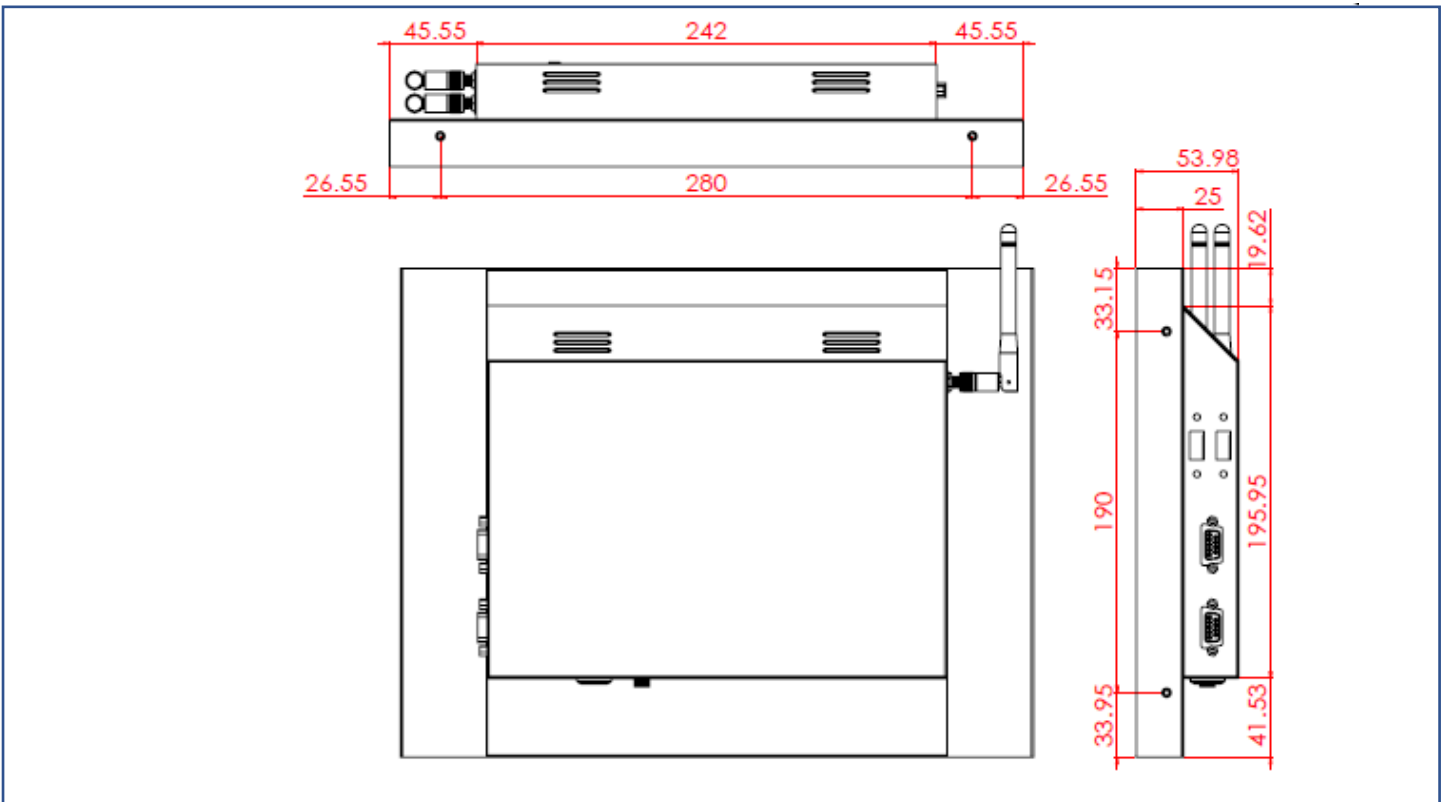
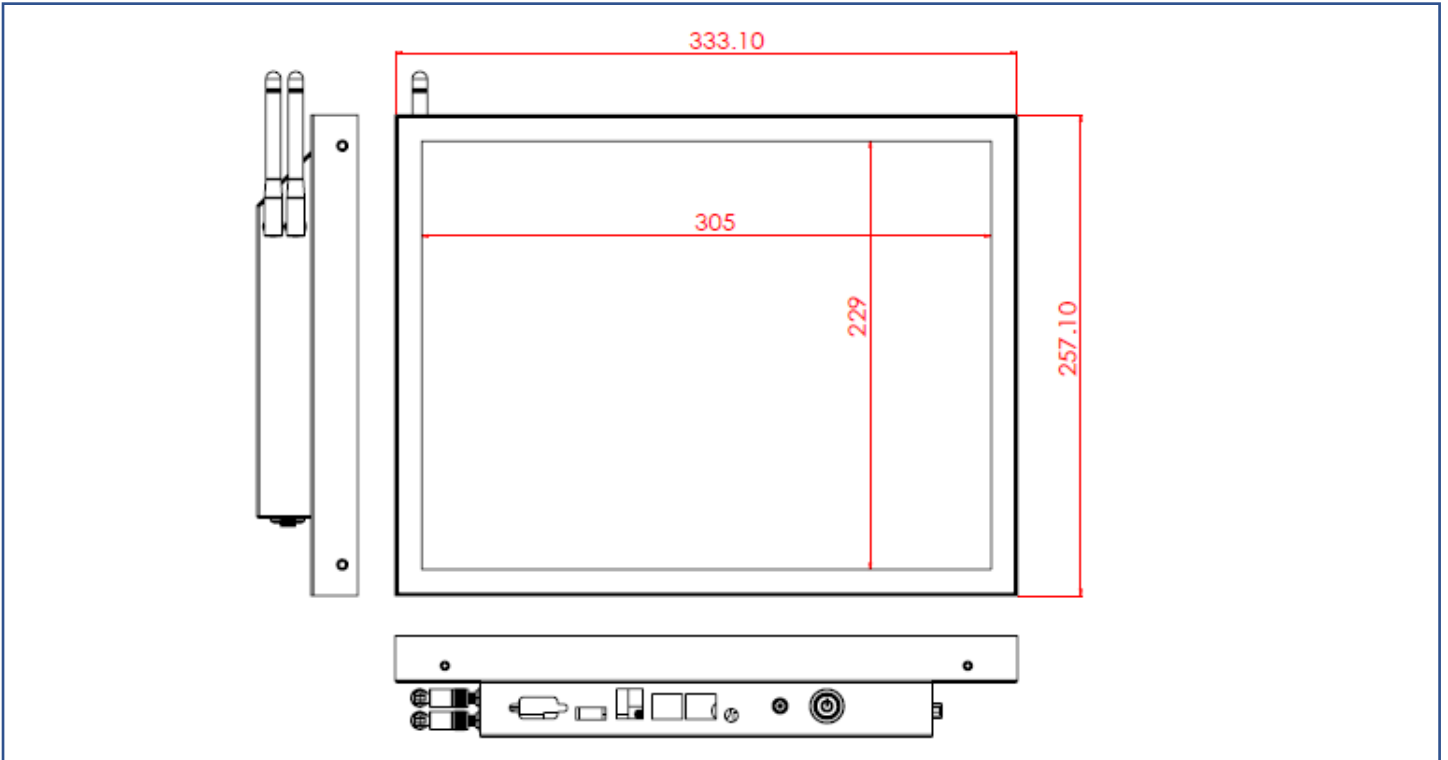


|                  |                       |
|------------------|-----------------------|
| Unit Carton Size | <b>590x165x440 mm</b> |
| Unit N. Weight   | <b>≤3.1 KG</b>        |
| Unit G. Weight   | <b>≤4.9 KG</b>        |
| Units per Pallet | <b>36 units</b>       |
| Pallet Size      | <b>120x100x147 CM</b> |



## Physical Specifications

|           |                                |            |         |
|-----------|--------------------------------|------------|---------|
| Dimension | 333x257x54(±2)mm (W/O Antenna) | Net Weight | ≤3.1 KG |
|-----------|--------------------------------|------------|---------|



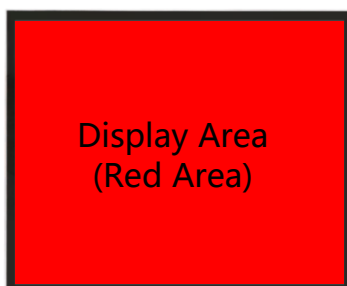
## Cosmetic Inspection Standard

| Display Area Allowance   |  |            |            |
|--|--|------------|------------|
| Defect description   | Defective Specifications                         | Allowance  | Remarks    |
| Dot Defect<br>(including dark dot, particles, bubbles, pits, dust, foreign matter) | $D \leq 0.2\text{mm}$                            | Ignored    | D=Diameter |
|  | $0.2 < D \leq 0.7\text{mm}$                      | $N \leq 5$ | N=Quantity |
|  | $0.7 < D \leq 1\text{mm}$                        | $N \leq 3$ |            |
|  | $D > 1\text{mm}$                                 | $N \leq 0$ |            |
| Linear Defect<br>(including scratches, fluff, particles)                           | $W \leq 0.15\text{mm}$                           | Ignored    | W=Width    |
|  | $0.15 < W \leq 0.5\text{mm}, L \leq 15\text{mm}$ | $N \leq 2$ | L=Length   |
|  | $W > 0.5\text{mm}$ or $L > 15\text{mm}$          | NG         |            |

\* Visual inspection distance: 60cm, 90 degree (same for front/side/back)

| Front Appearance Allowance (Including Coating)            |   |            |                   |
|---|---|------------|-------------------|
| Defect description  | Defective Specifications                        | Allowance  | Remarks           |
| Dot Defect<br>(including particles, bubbles, pits...etc.) | $D \leq 0.7\text{mm}$                           | Ignored    | D=Diameter        |
|   | $0.7 < D \leq 1.5\text{mm}$                     | $N \leq 3$ | N=Quantity        |
|   | $D > 1.5\text{mm}$                              | $N \leq 0$ |                   |
| Linear Defect<br>(including scratches, fluff, particles)  | $W \leq 0.2\text{mm}, L \leq 15\text{mm}$       | Ignored    | W=Width, L=Length |
|   | $0.2 < W \leq 0.7\text{mm}, L \leq 15\text{mm}$ | $N \leq 1$ |                   |
|   | $W > 0.7\text{mm}$ or $L > 15\text{mm}$         | NG         |                   |

| Side / Back Appearance Allowance (Including Coating)      |   |            |                   |
|---|---|------------|-------------------|
| Defect description  | Defective Specifications                        | Allowance  | Remarks           |
| Dot Defect<br>(including particles, bubbles, pits...etc.) | $D \leq 1.5\text{mm}$                           | Ignored    | D=Diameter        |
|   | $1.5 < D \leq 3\text{mm}$                       | $N \leq 8$ | N=Quantity        |
|   | $D > 3\text{mm}$                                | $N \leq 2$ |                   |
| Linear Defect<br>(including scratches, fluff, particles)  | $W \leq 0.8\text{mm}, L \leq 15\text{mm}$       | Ignored    | W=Width, L=Length |
|   | $0.8 < W \leq 1.5\text{mm}, L \leq 15\text{mm}$ | $N \leq 5$ |                   |
|   | $W > 1.5\text{mm}$ or $L > 15\text{mm}$         | NG         |                   |



Display Area  
(Red Area)



Front Appearance (Red Area)



Back Appearance