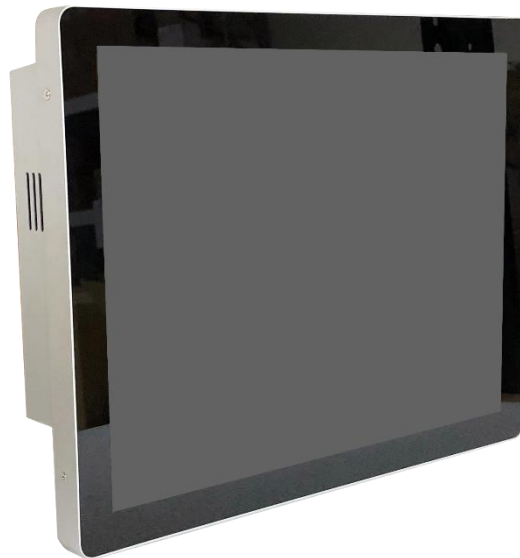




Product Specifications

Customer	
Model	NTWP150 V500E
Name	NTWP150 <u>XXXXX</u> -GP <u>XX</u> 8 <u>XX</u> - <u>XXX</u> 4-500E*

* X = A~Z, 0~9 (Depends on options)



Records of Revision			
Vision	Modifying	Old Description	New Description
v1912.1	Preliminary Specification		
v1912.2	Revise Model Number of Film Options		
V1912.3	Change the Default Color	Black	Silver

Features

- ★ 15" 1024x768 Resolution
- ★ Intel® Quad-Core N3450/N4200 CPU
- ★ DDR3 8G RAM
- ★ Serial ATAIIIx1, mSATA/mPCIe x1
- ★ Projected Capacitive Touch Screen with 10 points Multi-touch , Supports Active Stylus
- ★ 7H Hardness Tempered Cover Glass
- ★ Metal Cabinet with Diverse Combine Options
- ★ Made in Taiwan, 3 Years Warranty
- ★ Designed for Harsh Environments
- ★ Optional High Brightness/Sunlight Readable
- ★ Optional AG/AR/AF/AS Film
- ★ **Optional Antibacterial Film Option, disinfects 99.99% of Harmful Bacteria**



Side Brackets



Desktop Stand

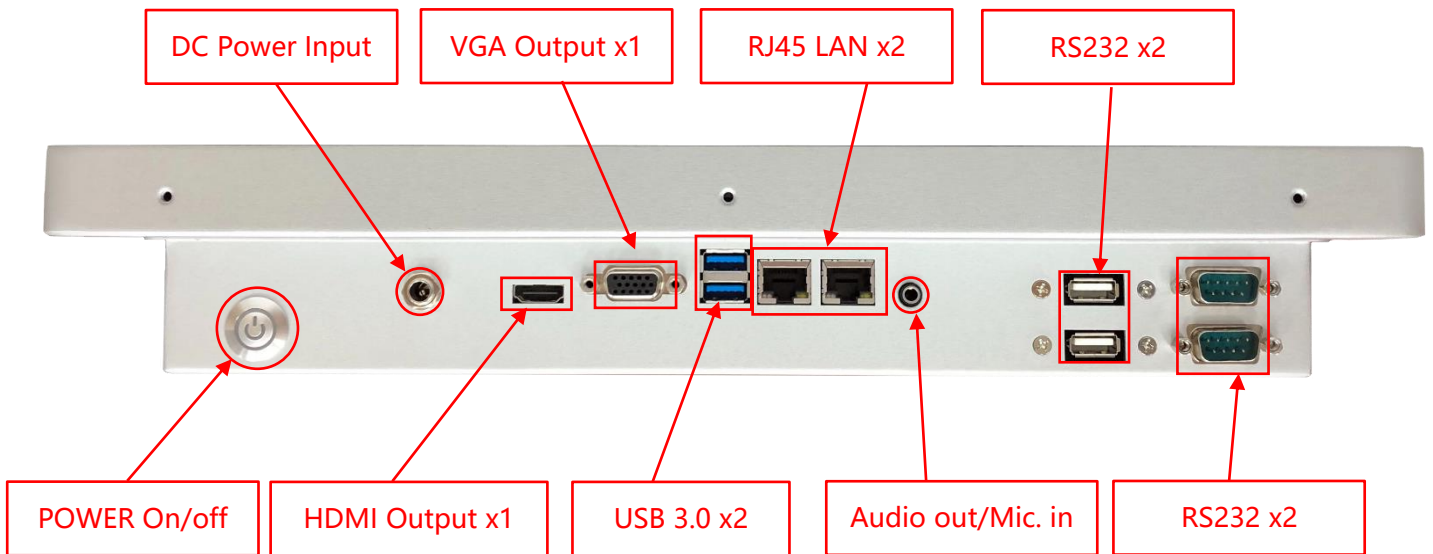


Wall Mounting

System Specifications

CPU	Intel® Quad-Core Pentium®
Memory	DDR3 SO-DIMM 8G
Storage	SATAx2, mSATA/mPCIe2 x1
Sound Chip	Realtek ALC255 Audio CODEC
Network	Realtek GbE LAN Chips x1
Power Input	9~36V DC
Hardware Monitoring	Voltage / Temperature / Fan Speed Detection, Control
Supported OS	Windows 10 64-bit
Operating Temperature	0~60°

Input /Output



Input / Output	Connectors	Input / Output	Connectors
HDMI (Output)	1	USB 3.0	2
VGA (Output)	1	USB 2.0	2
Audio Out/Mic In (3.5mm)	1	RS232	2
DC Power Input	1	LAN (RJ45)	2
Speakers	2W x2	Wi-Fi/Bluetooth & Antenna	Option



System Options

CPU		
	Description	Model Name
Standard	Intel Celeron N3450	NTWP150XXXXX-GP<u>C2</u>8XX-XXX4-500E
Option	Intel Celeron N4200	NTWP150XXXXX-GP <u>C4</u> 8XX-XXX4-500E

Storage		
	Description	Model Name
Standard	SSD 128G	NTWP150XXXXX-GPXX8<u>S1</u>-XXX4-500E
Option	SSD 256G	NTWP150XXXXX-GPXX8 <u>S2</u> -XXX4-500E
Option	mSATA HDD 500G	NTWP150XXXXX-GPXX8 <u>H5</u> -XXX4-500E
Option	mSATA HDD 1T	NTWP150XXXXX-GPXX8 <u>H1</u> -XXX4-500E

Material of Cabinet		
	Description	Model Name
Standard	Galvanized steel (SECC)	NTWP150XXXXX-GPXX8XX-<u>S</u>XX4-500E
Option 1	Stainless Steel	NTWP150XXXXX-GPXX8XX- <u>L</u> XX4-500E
Option 2	Aluminum	NTWP150XXXXX-GPXX8XX- <u>A</u> XX4-500E

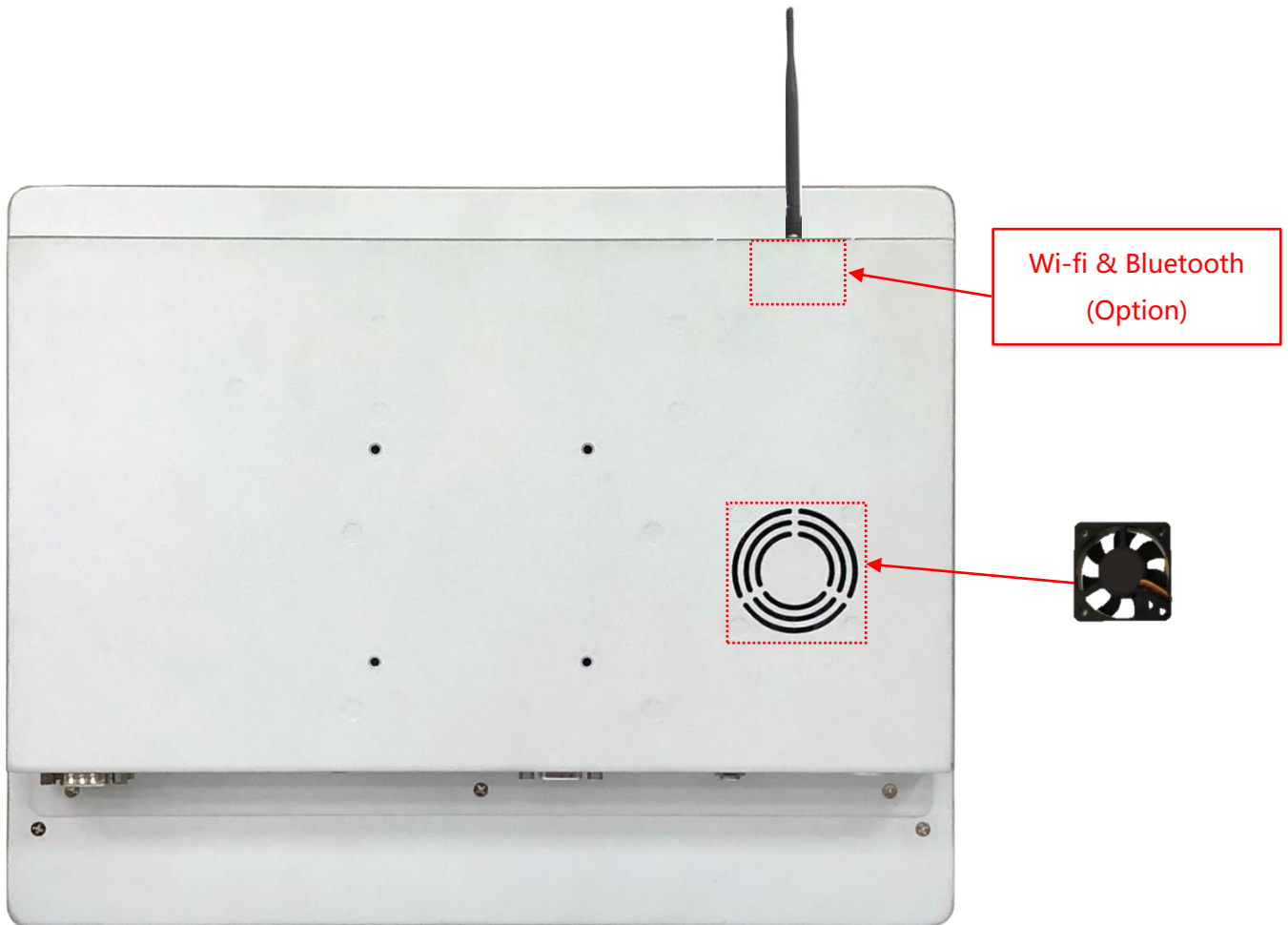
Color of Cabinet		
	Description	Model Name
Standard	Sliver	NTWP150XXXXX-GPXX8XX-<u>X</u>SX4-500E
Option 1	Black	NTWP150XXXXX-GPXX8XX- <u>X</u> BX4-500E
Option 2	White	NTWP150XXXXX-GPXX8XX- <u>X</u> WX4-500E
Options	Other Color	NTWP150XXXXX-GPXX8XX- <u>X</u> XX4-500E

* X = A~Z, 0~9 (Depends on Color)

System Options

Cooling Fan		
	Description	Model Name
Standard	Fanless	NTWP150XXXXX-GPXX8XX-XX04-500E
Option	7 Blades/1.4W/4000r.p.m/Max.10.25CFM/28dB	NTWP150XXXXX-GPXX8XX-XXF4-500E

Wireless Network	
	Description
Standard	(None)
Option	Wireless (Wi-Fi+BT4.0) Wi-Fi a/b/g/n/ac, Dual Mode Bluetooth 2.1/2.1+EDR,3.0,3.0+HS,4.0 (BLE)





Display Specifications

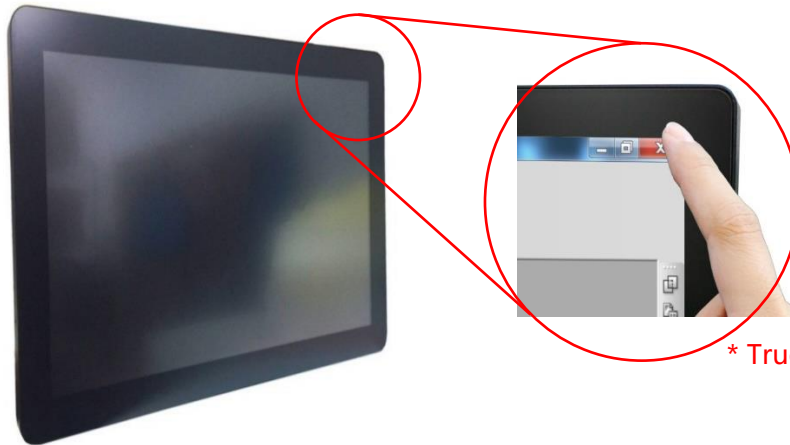
Model Name	15.0 inch	Display Mode	IVA Mode, Normally Black
Screen Diagonal	304.1x228.1 mm	Backlight Unit	LED (white LED)
Resolution	1024x768	Viewing Angle (L/R, U/D)	176°/176°
Contrast Ratio	2500:1	Backlight Lifetime	70000 HRS
Display Ratio	4:3	Operating Temp.	-30~70°C
Support Color	16.7M Colors	Storage Temp.	-40~70°C
Pixel Pitch	0.297x0.297 mm	Surface Treatment	Anti-glare, Hardness 3H
Response Time	21 msec.		

Display Options

Brightness			
	Brightness	Environment	Model Name
Standard	300nits	General (Indoor Environment)	NTWP150NXXXX-GPXX8XX-XXX4-500E
Option 1	1000nits	Outdoor Environment	NTWP150AXXXX-GPXX8XX-XXX4-500E
Option 2	1500nits	Sunlight Readable	NTWP150FXXXX-GPXX8XX-XXX4-500E

Touch Specifications

Touch Technology	Projected Capacitive	Transparency	≥87%
Allowed Touch Points	10 points	Accuracy	99.00%
Hardness of Cover Lens	7H	Thickness of Cover Lens	2.2±0.2mm



* True Flat, 1mm Bezel

Touch Options

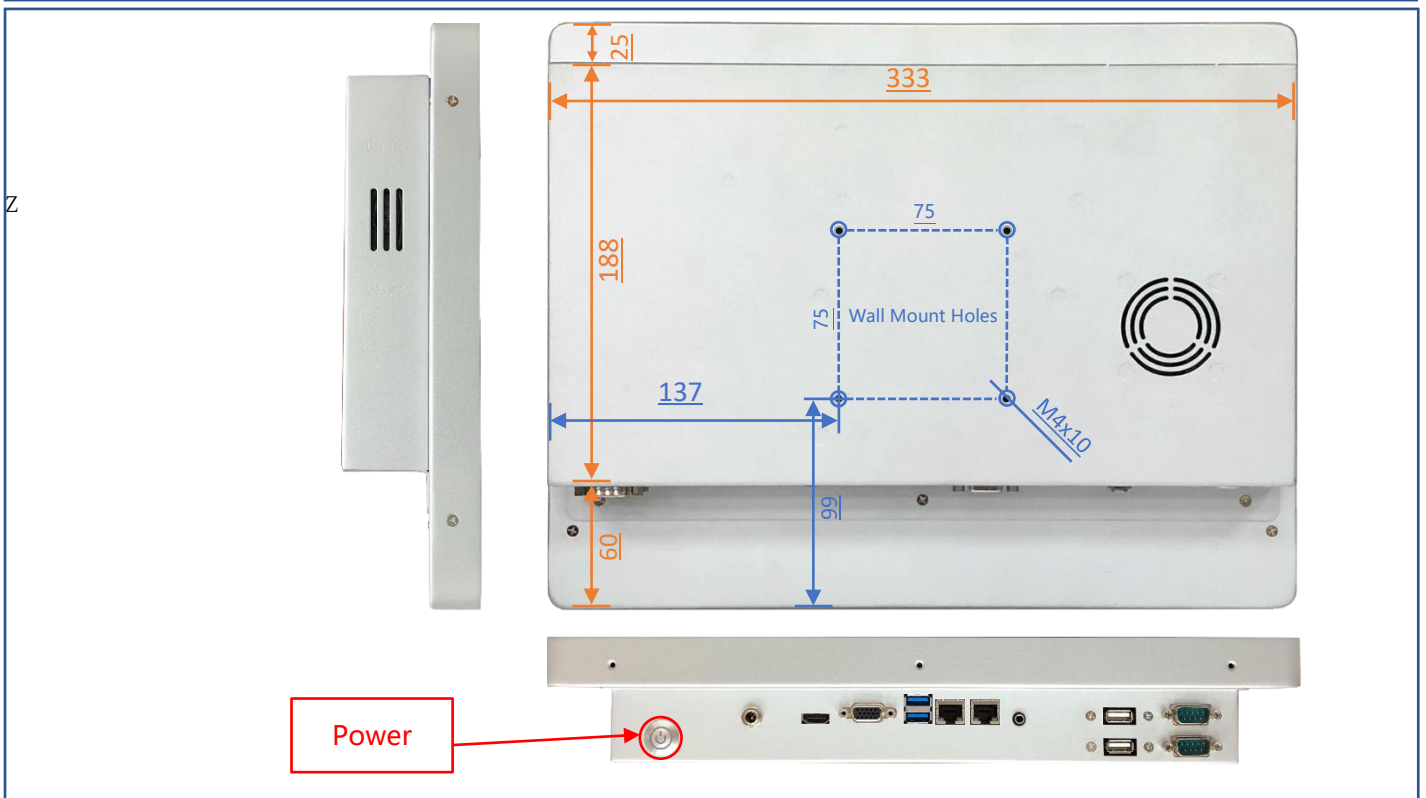
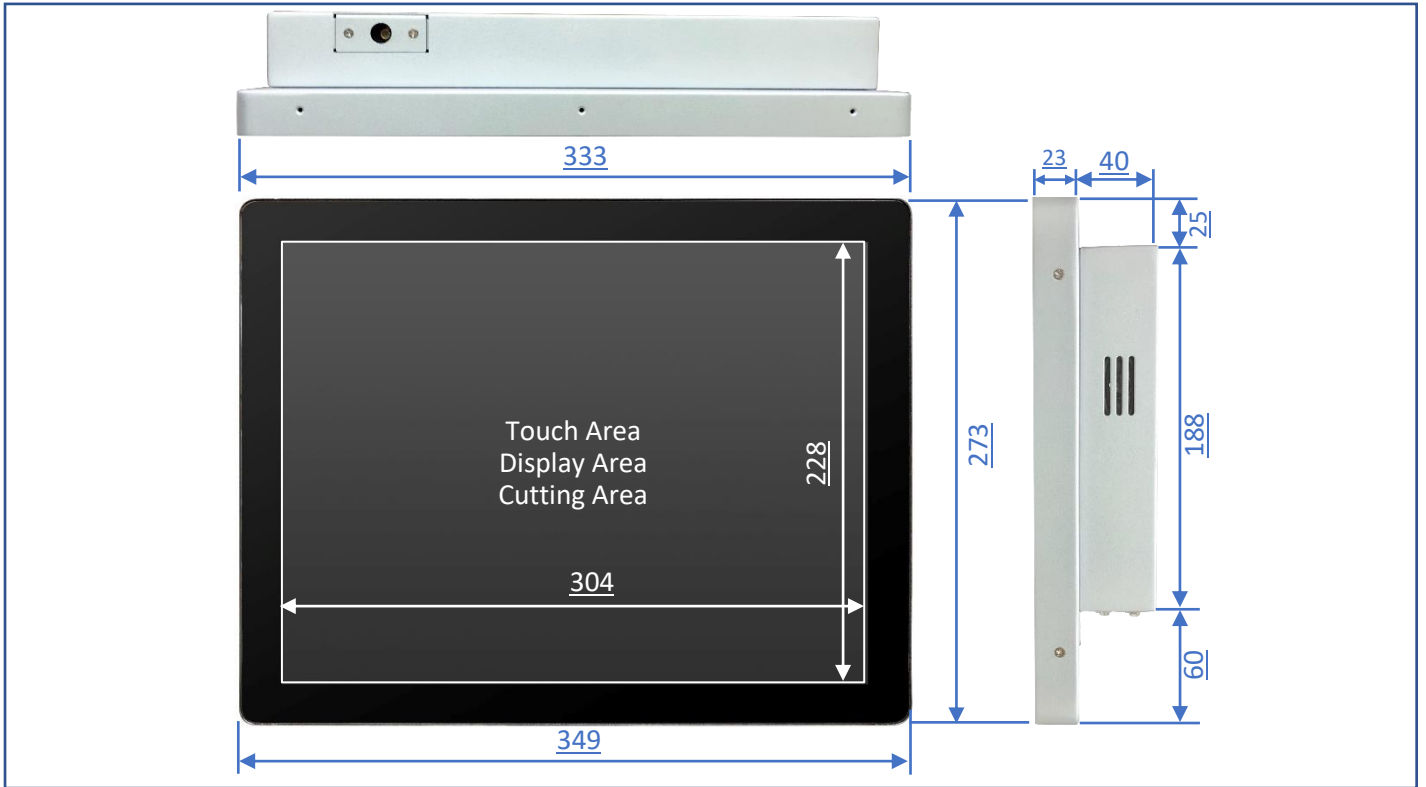
Active Stylus	
Technology	Active Capacitive Coupled
Working Frequencies	90~250 KHz , Freq. Hopping Supported
Pressure Level	256~1024 Levels
Side Buttons	2 Side Buttons (Eraser, Barrel)
Active Tip Force	5~25g
Max. Tip Force	400g



Surface Film Options		
	Description	Model Name
Standard	(none)	NTWP150XXX00-GPXX8XX-XXX4-500E
Option	Antibacterial (AB Film)	NTWP150XXX <u>AB</u> -GPXX8XX-XXX4-500E
Option	Anti-Glare +UV-Cut (AG+UV Film)	NTWP150XXX <u>GU</u> -GPXX8XX-XXX4-500E
Option	Anti-Glare +Fouling/Fingerprint (AG+AFP Film)	NTWP150XXX <u>GP</u> -GPXX8XX-XXX4-500E
Option	Anti-Reflective +Fouling/Fingerprint (AR+AFP Film)	NTWP150XXX <u>RP</u> -GPXX8XX-XXX4-500E
Option	Anti-Glare +Reflective +Fouling/Fingerprint (AG+AR+AFP Film)	NTWP150XXX <u>GR</u> -GPXX8XX-XXX4-500E
Option	Anti-Spy (AS Film)	NTWP150XXX <u>SF</u> -GPXX8XX-XXX4-500E

Physical Specifications

Dimension (Max)	349x273x63(±1)mm	Net Weight	≤4.4 KG
VESA Mounting	75x75 mm	Gross Weight	≤6.7 KG



Optional Accessories (Front Cover)



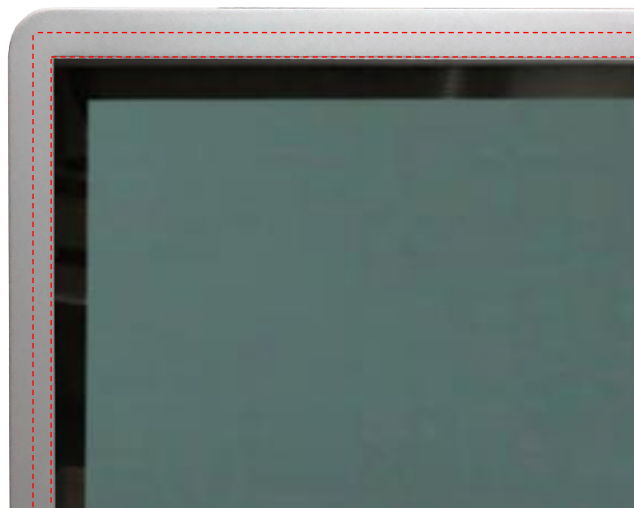
The standard **NTWP150** is true flat surface.

To protect the corners of the touch screen, the **Front Cover** can be added.



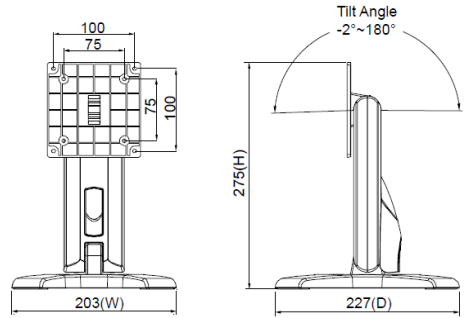
The watertight gasket can be added between the **Front Cover** and **NTWP150**.

It complies IP65 on front.

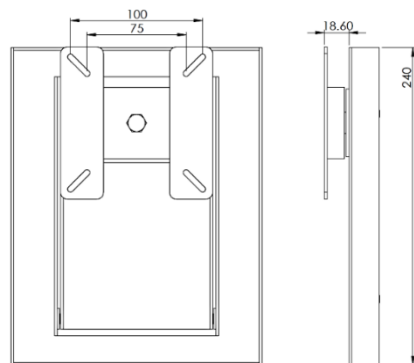


Optional Accessories (Desktop Stand)

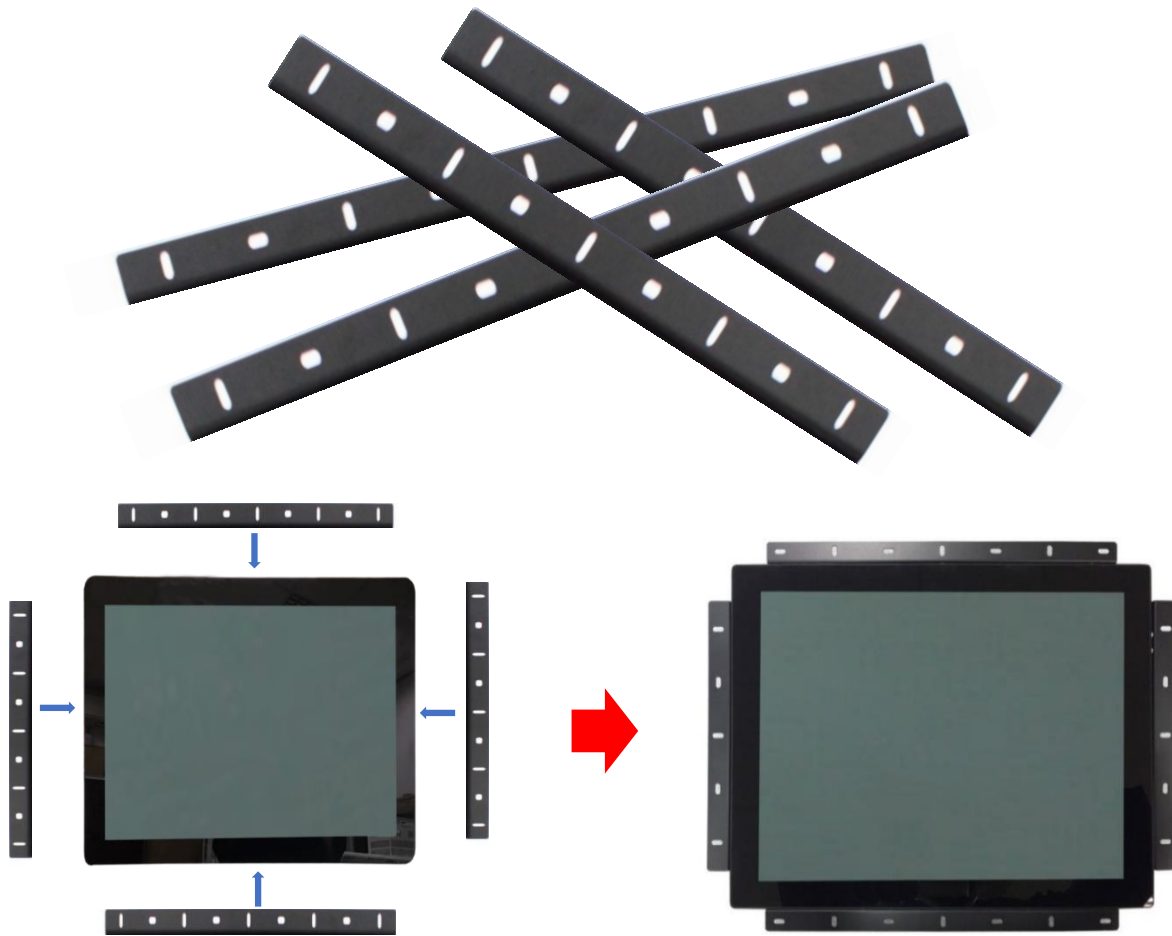
Item	B Stand	Part No.	DST-0B002/DST-1B002
Mounting Pattern	100x100 / 75x75 mm	Dimension (WxHxD)	203x275x227 mm
Material	Steel/Plastic/Aluminum	Net Weight	1.8 KG
Tilt (Hinge)	-2° ~+180°	Support Max. Weight	15 KG



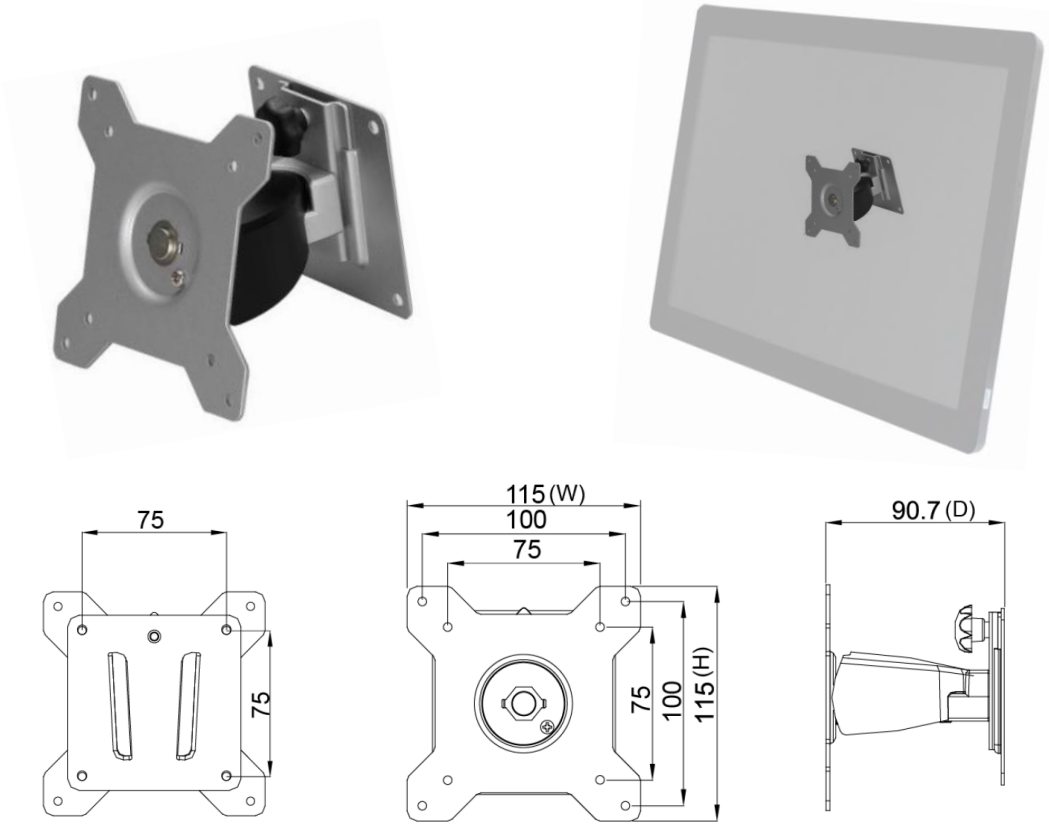
Item	Z Stand	Part No.	DST-0BZ01/DST-1BZ01
Mounting Pattern	100x100 / 75x75 mm	Dimension (WxHxD)	190x240x41.6
Material	SECC	Net Weight	2.6 KG
Tilt (Hinge)	±360°	Support Max. Weight	15 KG



Optional Accessories (Open-frame Brackets)



Optional Accessories (Wall Mount Bracket)



Packing Information



Dimensions of Carton	480x195x430 mm
Net Weight	≤4.4 KG
Gross Weight	≤6.7 KG

Optional Accessories (Desktop Stand or Arm)



- 273x180x265 mm
- 1.07 KG
- Support 12 KG



- 620x556x123 mm
- 3 KG
- Support 10 KG



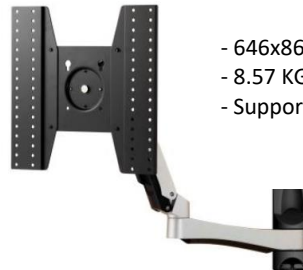
- 250x192x445 mm
- 1.4 KG
- Support 12 KG



- 655x858.5x563 mm
- 7.56 KG
- Support 30 KG



- 158x403x144 mm
- 2.12 KG
- Support 12 KG



- 646x861x953.5 mm
- 8.57 KG
- Support 30 KG



- 423x403x240 mm
- 1.91 KG
- Support 12 KG



- 1300x403x307 mm
- 5.3 KG
- Support 8 KG (2.7 KG Each)



- 715x393x144 mm
- 3.68 KG
- Support 12 KG (6 KG Each)

