

Product Specifications

Customer	
Model	NTWP240 <u>XX-XXXXX</u> 1-101*
Name	NTWP240 V101

* X = A~Z, 0~9 (Depends on Options.)



Records of Revision			
Vision	Modifying	Old Description	New Description
v1810.1	Preliminary Specification		
V1810.2	Format Updated		
V1810.3	Modify Design of Power Switch		
V1810.4	Revise Model Number of Fan option		
V1810.5	Replace the Wall Mount		

Features

- ★ 24" , 16:9/1920x1080 (FHD) Resolution
- ★ Intel® Quad-Core N3450/N4200 CPU
- ★ DDR3 8G RAM
- ★ Serial ATAIIIx1, mSATA/mPCIe x1
- ★ True Flat Projected Capacitive Touch Screen
- ★ 7H Hardness Tempered Cover Glass
- ★ 10 points Multi-touch , Supports Active Stylus
- ★ Metal Cabinet with Diverse Combine Options
- ★ Made in Taiwan, 3 Years Warranty
- ★ Designed for Harsh Environments
- ★ Optional High Brightness/Sunlight Readable
- ★ Optional AG/AR/AF/AS Film
- ★ **Optional Antibacterial Film Option, disinfects 99.99% of Harmful Bacteria**



Side Brackets



Desktop Stand



Wall Mounting



System Specifications

CPU	Intel® Quad-Core Pentium®
Memory	DDR3 SO-DIMM 8G
Storage	SATAx2, mSATA/mPCIe2 x1
Sound Chip	Realtek ALC255 Audio CODEC
Network	Realtek GbE LAN Chips x1
Power Input	9~36V DC
Hardware Monitoring	Voltage / Temperature / Fan Speed Detection, Control
Supported OS	Windows 10 64-bit
Operating Temperature	0~60°

System Options

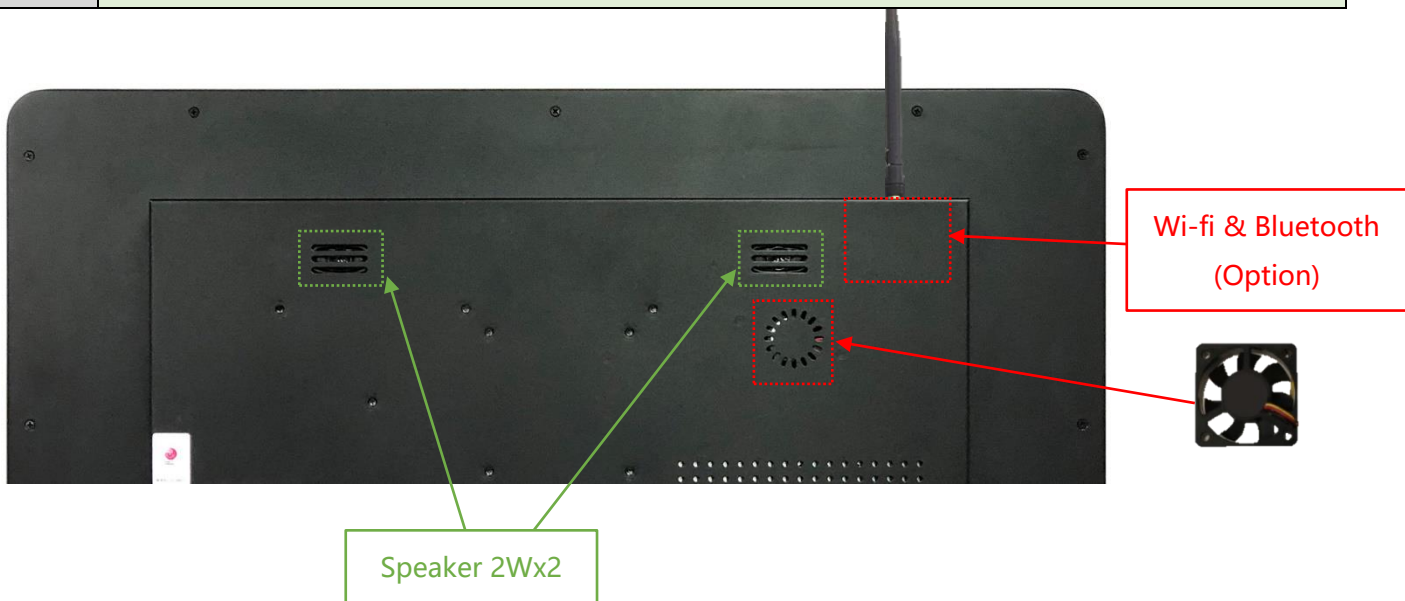
CPU		
	Description	Model Name
Standard	Intel Celeron N3450	NTWP240XX-XXXXX G 1-101
Option	Intel Celeron N4200	NTWP240XX-XXXXX H 1-101

Storage		
	Description	Model Name
Standard	SSD 128G	NTWP240XX-XX S XXX1-101
Option	SSD 256G	NTWP240XX-XX T XXX1-101
Option	mSATA 500G	NTWP240XX-XX 5 XXX1-101
Option	mSATA 1TB	NTWP240XX-XX A XXX1-101

System Options

Cooling Fan		
	Description	Model Name
Standard	Fanless	NTWP240XX-XXXX0X1-101
Option	7 Blades/1.2W/4000r.p.m/Max.10.96CFM/28.3dB	NTWP240XX-XXXXFX1-101

Wireless Network	
	Description
Standard	(None)
Option	Wireless (Wi-Fi+BT4.0) Wi-Fi a/b/g/n/ac, Dual Mode Bluetooth 2.1/2.1+EDR,3.0,3.0+HS,4.0 (BLE)



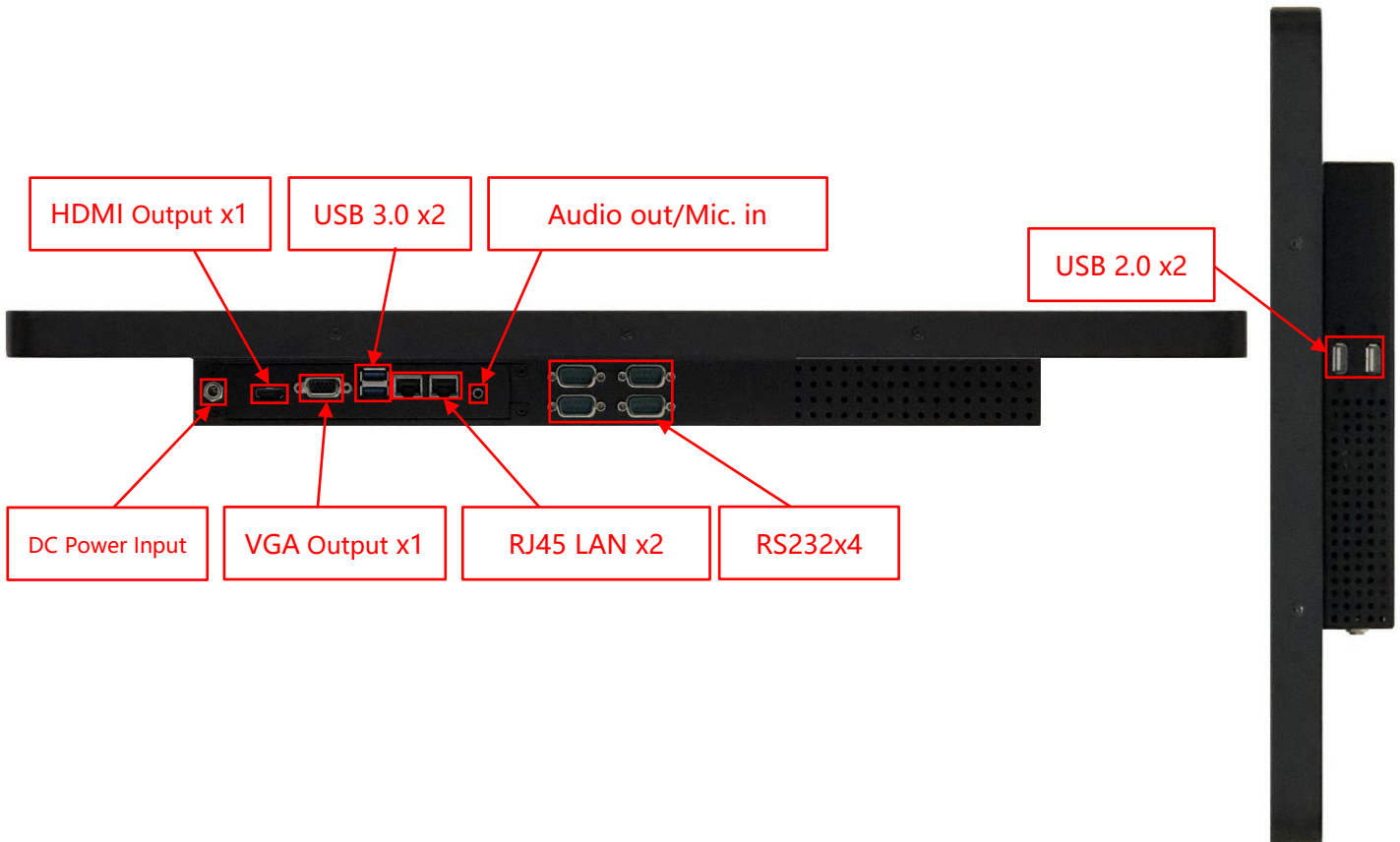
Material of Cabinet		
	Description	Model Name
Standard	Galvanized steel (SECC)	NTWP240XX-XXXSXX1-101
Option	Stainless Steel	NTWP240XX-XXXLXX1-101
Option	Aluminum	NTWP240XX-XXXAXX1-101

System Options

Color of Cabinet		
	Description	Model Name
Standard	Black	NTWP240XX-X B XXXXX1-101
Option 1	Sliver	NTWP240XX-X S XXXXX1-101
Option 2	White	NTWP240XX-X W XXXXX1-101
Options	Other Color	NTWP240XX-X X XXXXX1-101

* X = A~Z, 0~9 (Depends on Color)

Input /Output System



Input / Output	Connectors	Input / Output	Connectors
HDMI (Output)	1	USB 3.0	2
VGA (Output)	1	USB 2.0	2
Audio Out/Mic In (3.5mm)	1	RS232	2
DC Power Input	1	LAN (RJ45)	2
Speakers	2W x2	Wi-Fi/Bluetooth & Antenna	Option



Display Specifications

Screen Diagonal	609.7mm (24.0 inch)	Display Mode	TN Type, Normally White
Display Area	531.36x298.89 mm	Backlight Unit	LED (white LED)
Resolution	1920x1080 (FHD)	Viewing Angle (L/R, U/D)	170°/160° (CR=10)
Contrast Ratio	1000:1	Backlight Lifetime	30000 HRS
Display Ratio	16:9	Operating Temp.	0~50°C
Support Color	16.7M Colors	Storage Temp.	-20~60°C
Pixel Pitch	276.75x276.75 um	Surface Treatment	Anti-glare, Hardness 3H
Response Time	5 msec.		

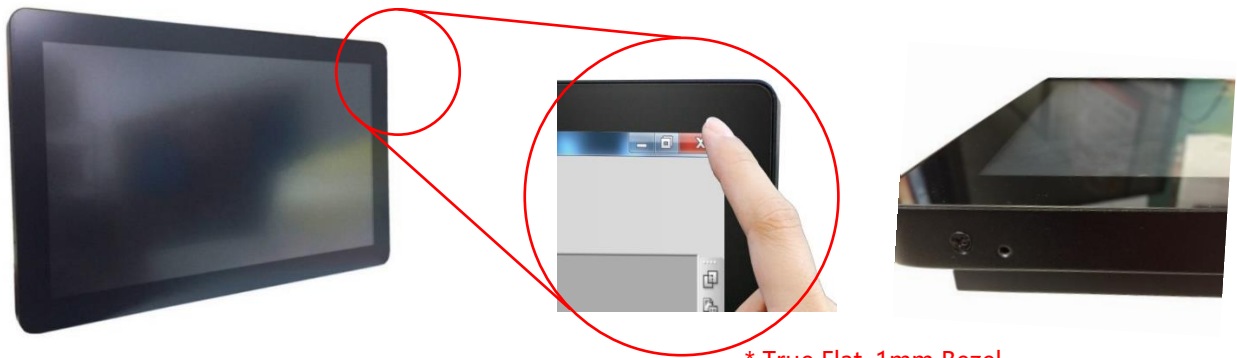
Display Options

Brightness			
	Brightness	Environment	Model Name
Standard	250nits	General (Indoor Environment)	NTWP240NX-XXXXXX1-101
Option	600nits	High Brightness	NTWP2406X-XXXXXX1-101
Option	1000nits	Outdoor Environment	NTWP240AX-XXXXXX1-102
Option	1500nits	Sunlight Readable	NTWP240FX-XXXXXX1-102

* Check the data sheet NTWP240 V102

Touch Specifications

Touch Technology	Projected Capacitive	Transparency	≥87%
Allowed Touch Points	10 points	Accuracy	99.00%
Hardness of Cover Lens	7H	Thickness of Cover Lens	2.9±0.2mm



* True Flat, 1mm Bezel

Touch Options

Active Stylus Option	
Technology	Active Capacitive Coupled
Working Frequencies	90~250 KHZ
Pressure Level	256~1024 Levels
Side Buttons	2 Side Buttons (Eraser, Barrel)
Active Tip Force	5~25g
Max. Tip Force	400g

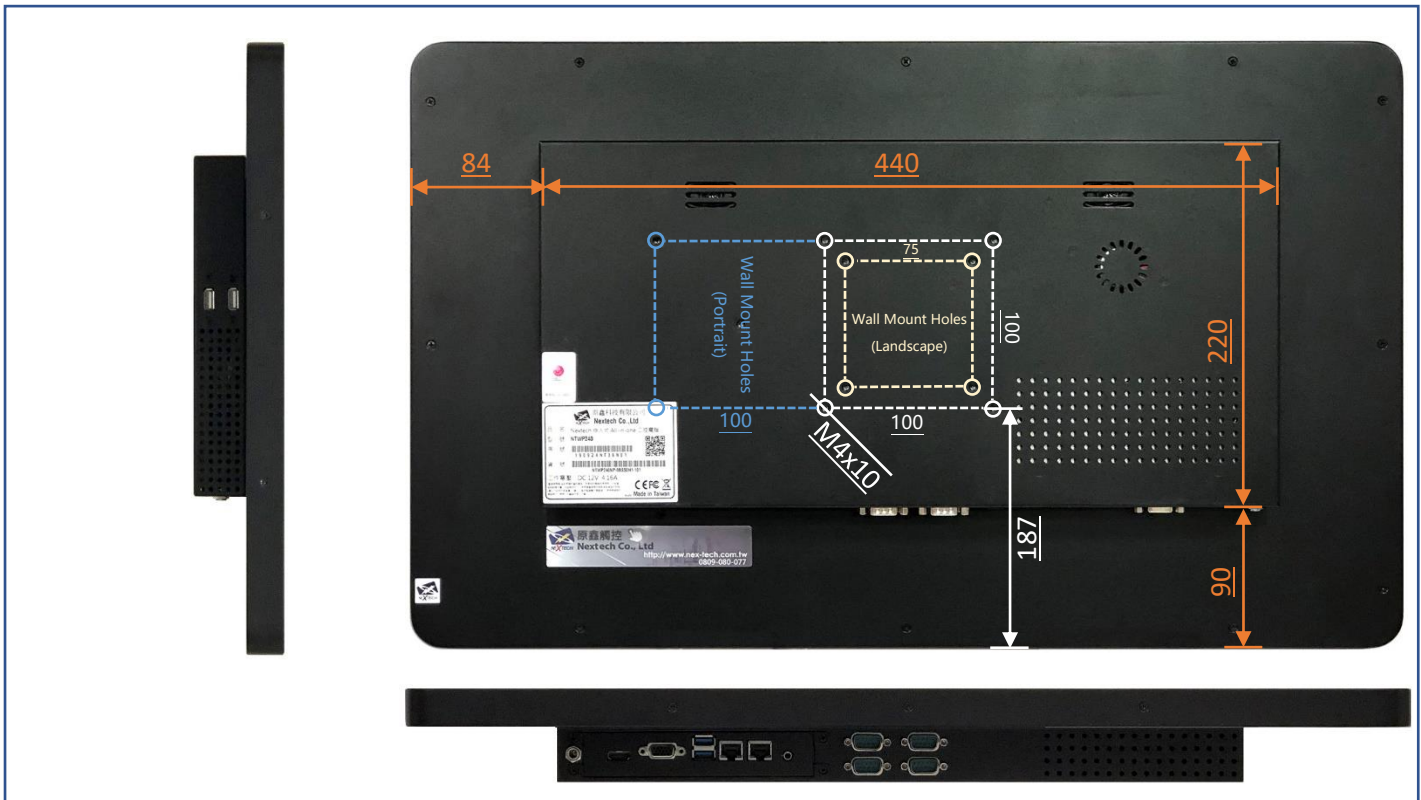
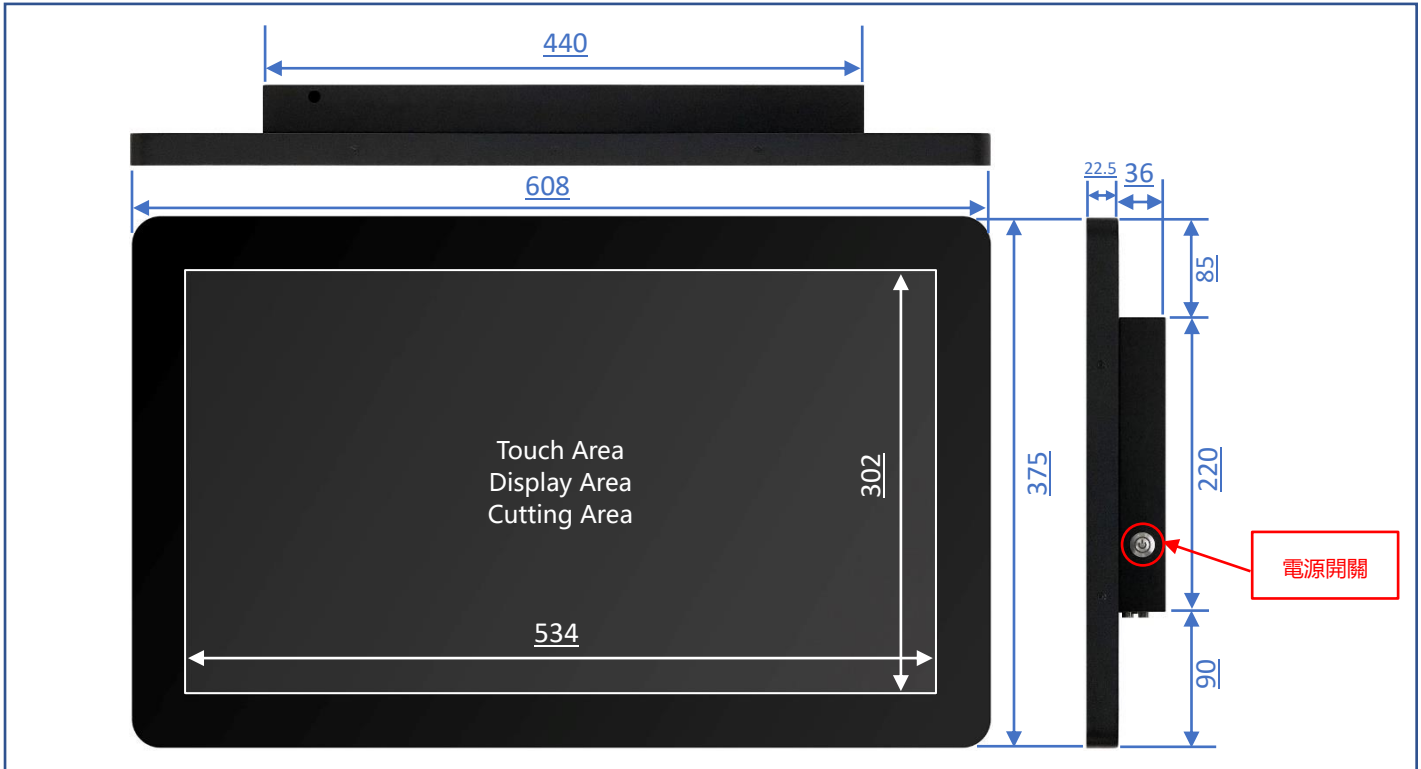


Surface Film Options	
Standard	(none)
Option	Antibacterial (AB Film)
Option	Anti-Glare (AG Film)
Option	Anti-Reflective (AR Film)
Option	Anti-Fouling/Fingerprint (AFP Film)
Option	Anti-Spy (AS Film)
Option	UV-Cut (UV Film)

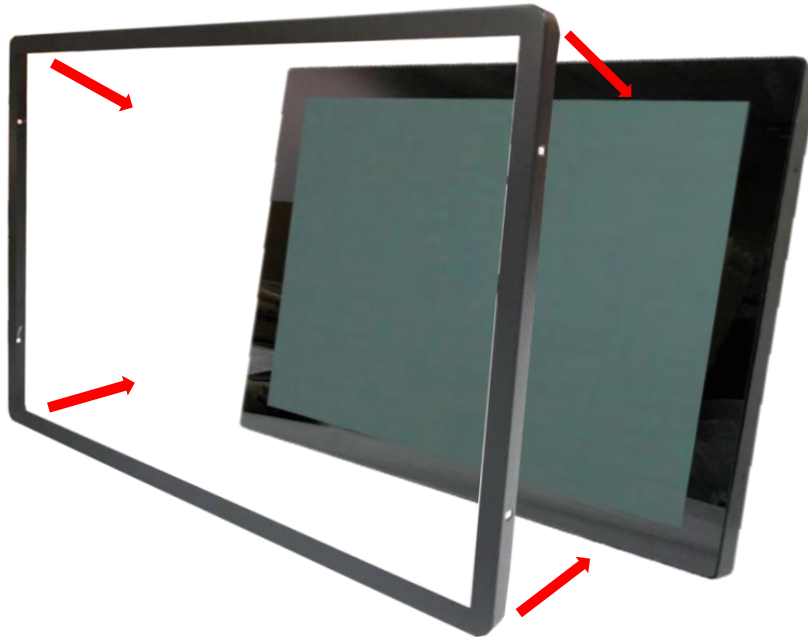


Physical Specifications

Dimension (Max)	608x375x58.5(±1)mm	Net Weight	≦ 8.5 KG
VESA Mounting	75x75/100x100 mm	Gross Weight	≦ 12.0 KG



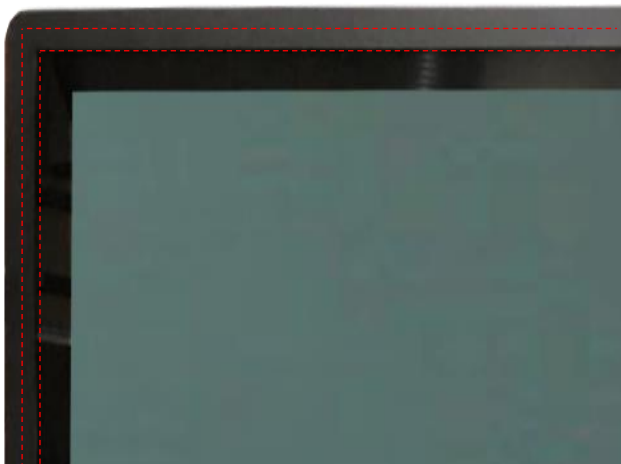
Optional Accessories (Front Cover)



The standard **NTWP240** is true flat surface, with only 1mm metal bezel.
To protect the corners of the touch screen, the Front Cover can be added

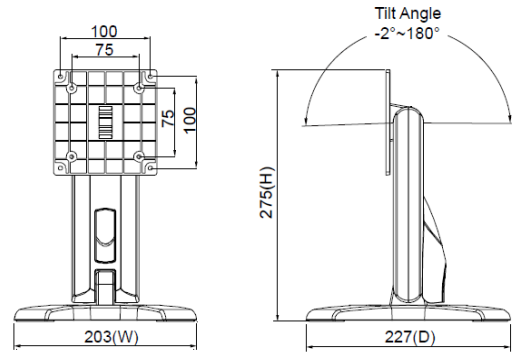


The watertight gasket can be added between the Front Cover and **NTWP240**.
It complies IP65 on front.

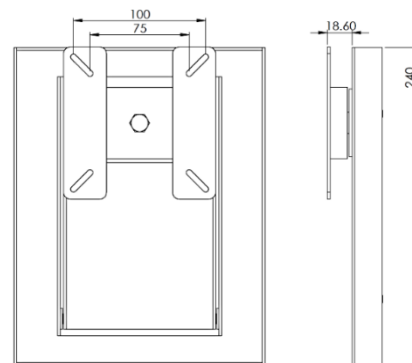


Optional Accessories (Desktop Stand)

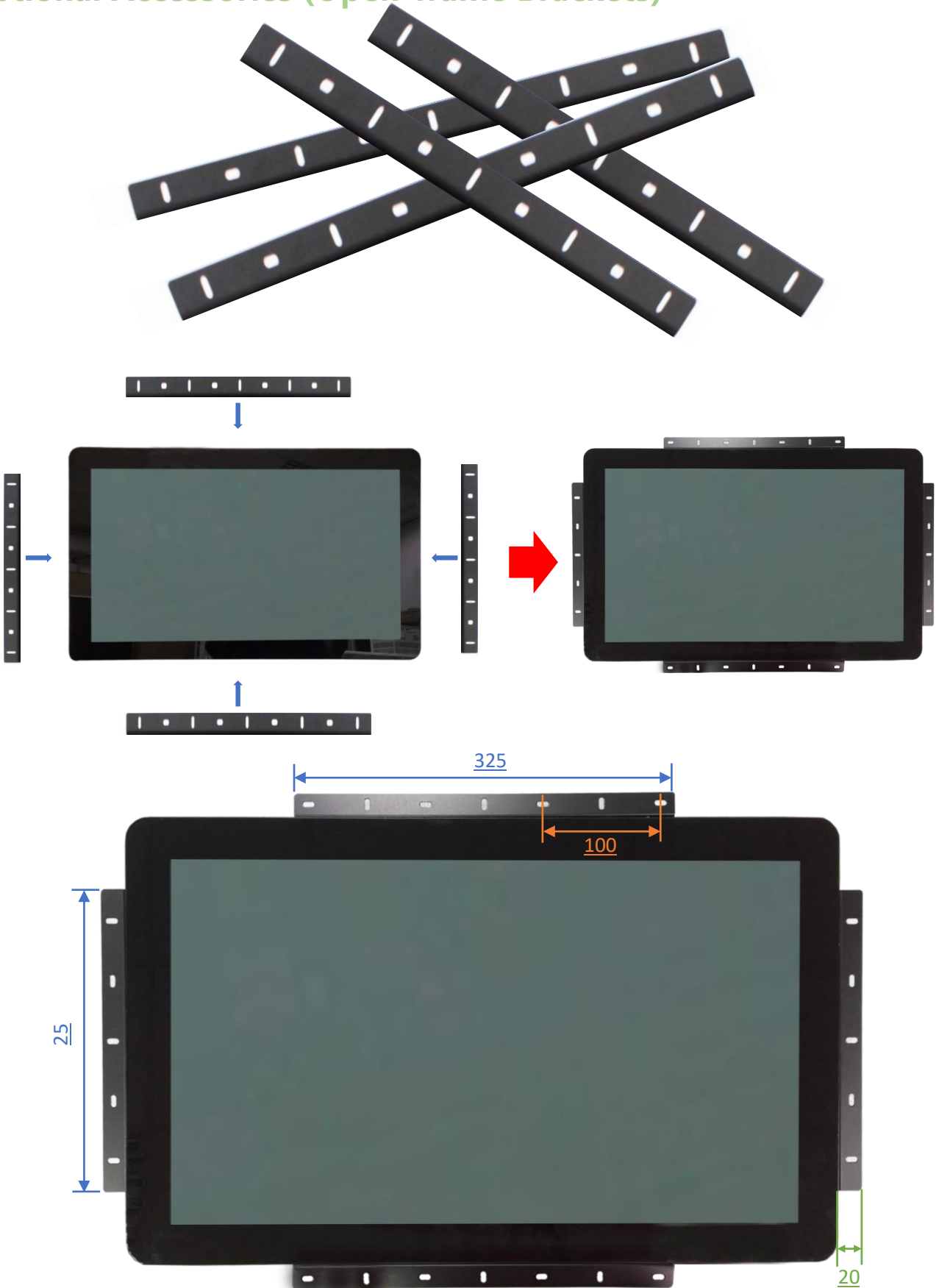
Item	B Stand	Part No.	DST-0B001/DST-1B001
Mounting Pattern	100x100 / 75x75 mm	Dimension (WxHxD)	203x275x227 mm
Material	Steel/Plastic/Aluminum	Net Weight	1.8 KG
Tile (Hinge)	-2° ~+180°	Support Max. Weight	15 KG



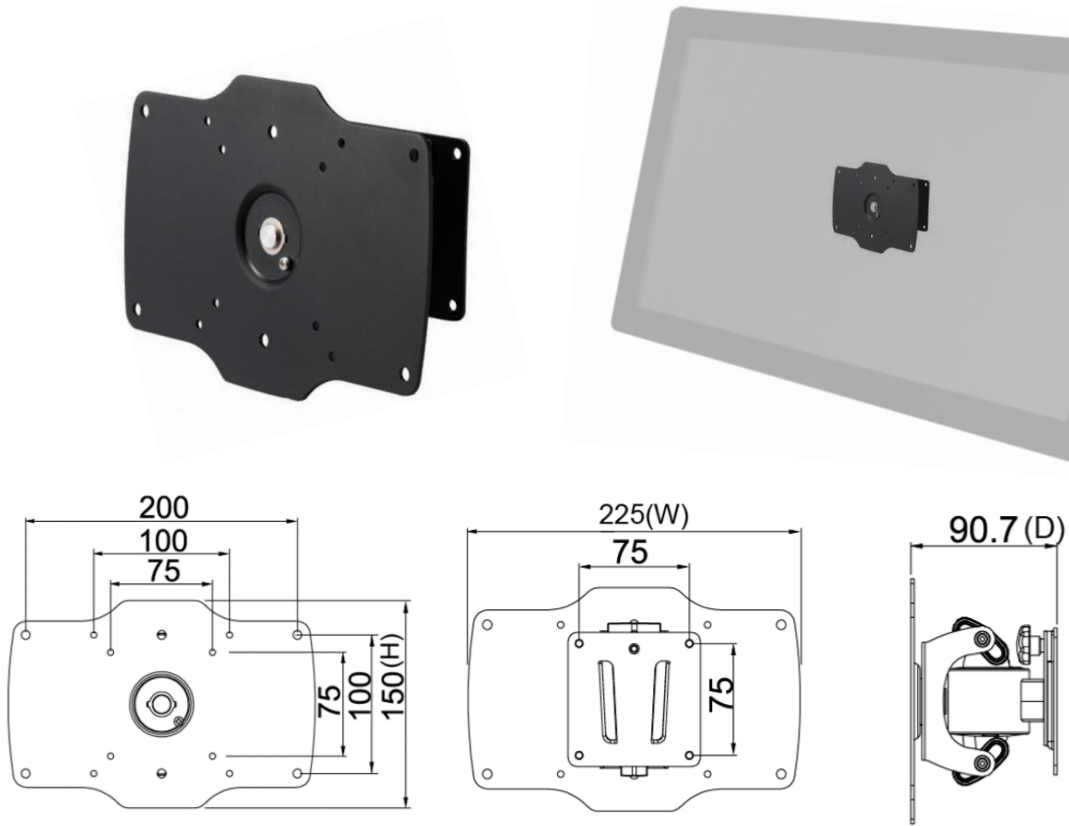
Item	Z Stand	Part No.	DST-0BZ01/DST-1BZ01
Mounting Pattern	100x100 / 75x75 mm	Dimension (W/H/D)	190x240x41.6
Material	SECC	Net Weight	2.6 KG
Tile (Hinge)	±360°	Support Max. Weight	15 KG



Optional Accessories (Open-frame Brackets)



Optional Accessories (Wall Mount Bracket)



Packing Information



Dimensions of Carton	832x539x218 mm
Net Weight	≤ 8.5 KG
Gross Weight	≤ 12.0 KG

Optional Accessories (Desktop Stand or Arm)



- 273x180x265 mm
- 1.07 KG
- Support 12 KG



- 620x556x123 mm
- 3 KG
- Support 10 KG



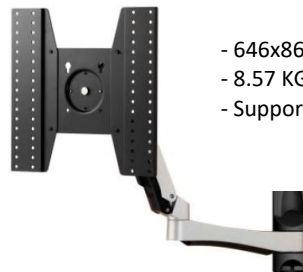
- 250x192x445 mm
- 1.4 KG
- Support 12 KG



- 655x858.5x563 mm
- 7.56 KG
- Support 30 KG



- 158x403x144 mm
- 2.12 KG
- Support 12 KG



- 646x861x953.5 mm
- 8.57 KG
- Support 30 KG



- 423x403x240 mm
- 1.91 KG
- Support 12 KG



- 1300x403x307 mm
- 5.3 KG
- Support 8 KG (2.7 KG Each)



- 715x393x144 mm
- 3.68 KG
- Support 12 KG (6 KG Each)

