

Product Specifications

Customer	
Model Name	NTWP240 V500
Model Number	NTWP240 <u>XXXXXX</u> - <u>XXXXXXXX</u> - <u>XXXX</u> -500*

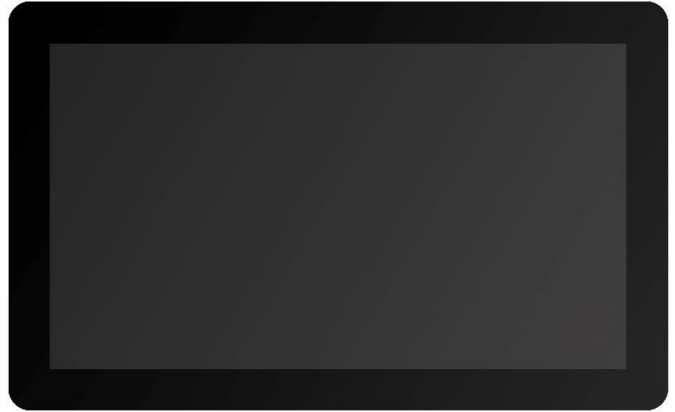
* X = A~Z, 0~9 (Depends on options)



Records of Revision			
Vision	Modifying	Old Description	New Description
v1908.1	Draft 1		
v1908.2	Draft 2		
v1908.3	Official Release		
v1908.4	Revise Model Number of Surface Film		
v1908.5	Revise Option of CPU		
v1908.6	Replace the Wall Mount		

Features

- ★ 24 inch,1920x1080 (FHD) Resolution
- ★ Intel® Skylake/Kaby Lake CPU
- ★ DDR4 8G RAM (Max. 32G)
- ★ Serial ATAIIIx1, mSATA/mPCIe x1
- ★ True Flat Projected Capacitive Touch Screen
- ★ 7H Hardness Tempered Cover Glass
- ★ 10 points Multi-touch , Supports Active Stylus
- ★ Metal Cabinet with Diverse Combine Options
- ★ Made in Taiwan, 3 Years Warranty
- ★ Designed for Harsh Environments
- ★ Optional High Brightness/Sunlight Readable
- ★ Optional AG/AR/AF/AS Film
- ★ **Optional Antibacterial Film Option, disinfects 99.99% of Harmful Bacteria**



Side Brackets



Desktop Stand



Wall Mounting



System Specifications

CPU	Intel® Skylake, Kaby Lake Celeron/Core i CPU
Memory	DDR4 SO-DIMM x2, Max. 32G
Storage	SATA x1, mSATA/mPCIe x1
GPU	Intel® HD Graphics
Sound Chip	Realtek ALC662 Audio CODEC
Network	Intel Gigabit LAN, 2 * RJ45 ports
Power Input	9~24V DC

System Options

CPU		
	Description	Model Name
Standard	Intel® Core i3-7100U	NTWP240XXXXX-XX<u>31</u>XXX-XXXX-500
Option 1	Intel® Core i5-7300U	NTWP240XXXXX-XX <u>53</u> XXX-XXXX-500
Option 2	Intel® Core i7-7600U	NTWP240XXXXX-XX <u>71</u> XXX-XXXX-500
Option 3	Intel® Skylake Celeron 3855U	NTWP240XXXXX-XX <u>C3</u> XXX-XXXX-500

Memory		
	Description	Model Name
Standard	DDR4 SO-DIMM 8G	NTWP240XXXXX-XXXX<u>8</u>XX-XXXX-500
Option 1	DDR4 SO-DIMM 4G	NTWP240XXXXX-XXXX <u>4</u> XX-XXXX-500
Option 2	DDR4 SO-DIMM 16G	NTWP240XXXXX-XXXX <u>A</u> XX-XXXX-500
Option 3	DDR4 SO-DIMM 32G	NTWP240XXXXX-XXXX <u>B</u> XX-XXXX-500

Storage		
	Description	Model Name
Standard	SSD 128G	NTWP240XXXXX-XXXXX<u>S1</u>-XXXX-500
Option 1	SSD 256G	NTWP240XXXXX-XXXXX <u>S2</u> -XXXX-500
Option 2	SATA HDD 500G	NTWP240XXXXX-XXXXX <u>H5</u> -XXXX-500
Option 3	SATA HDD 1T	NTWP240XXXXX-XXXXX <u>H1</u> -XXXX-500

System Options

Power Input		
	Description	Model Name
Standard	9~24VDC in (2.1φ) with 12V/7.4A AC-DC Adapter	NTWP240XXXXX-XXXXXXX-XXX <u>3</u> -500
Option	100~240VAC, C14 Female Socket	NTWP240XXXXX-XXXXXXX-XXX <u>A</u> -500



Standard / 9~24VDC-in



Option / C14 AC Socket

Cooling Fan		
	Description	Model Name
Standard	Fanless	NTWP240XXXXX-XXXXXXX-XX <u>0</u> X-500
Option	7 Blades/1.2W/4000r.p.m/Max.10.96CFM/28.3dB	NTWP240XXXXX-XXXXXXX-XX <u>F</u> X-500



System Options

Wireless Network	
	Description
Standard	(None)
Option	Wireless (Wi-Fi+BT4.0) Wi-Fi a/b/g/n/ac, Dual Mode Bluetooth 2.1/2.1+EDR,3.0,3.0+HS,4.0 (BLE)

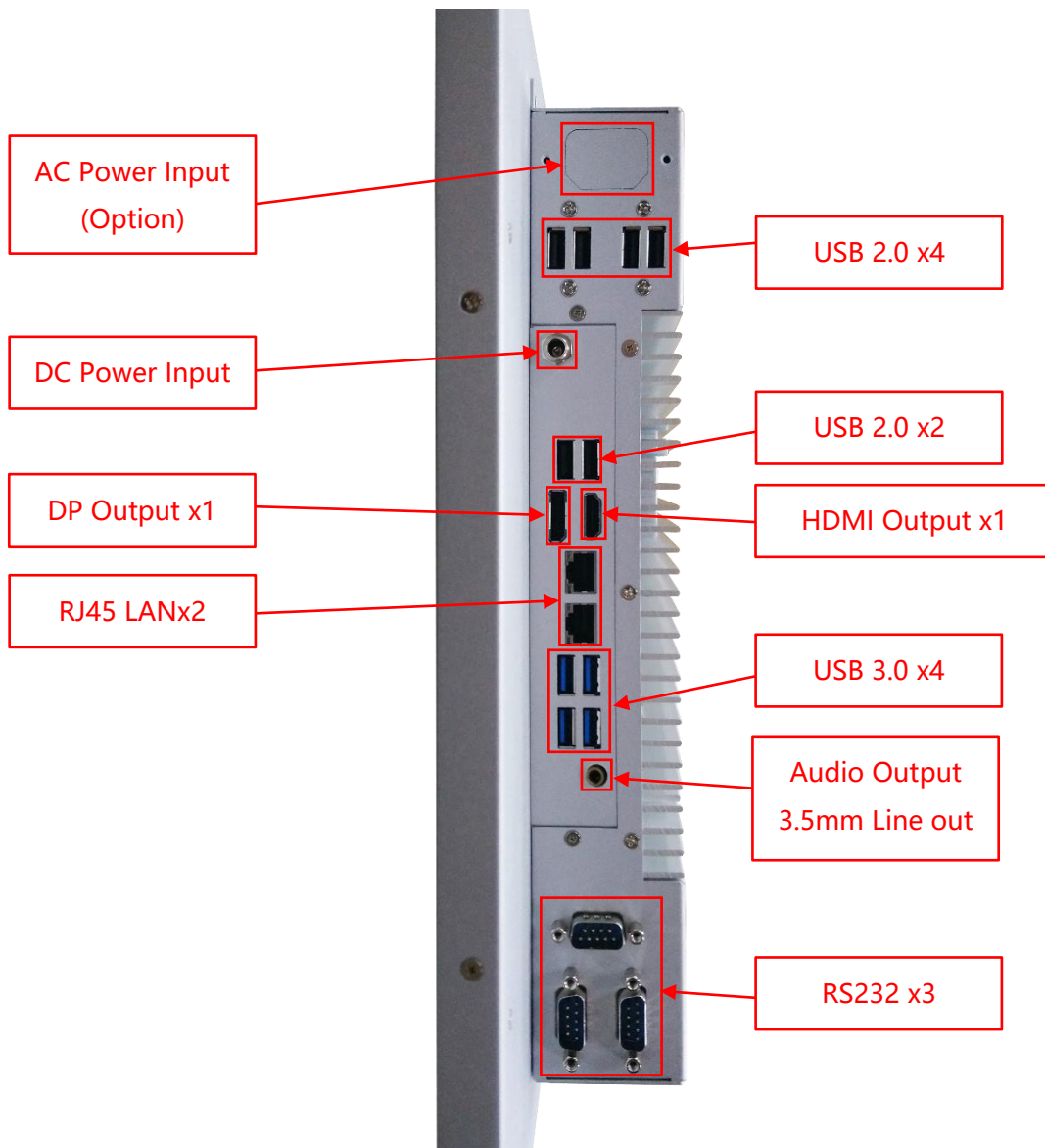


Material of Cabinet		
	Description	Model Name
Standard	Galvanized steel (SECC)	NTWP240XXXXX-XXXXXXX-<u>S</u>XXX-500
Option 1	Stainless Steel	NTWP240XXXXX-XXXXXXX- <u>L</u> XXX-500
Option 2	Aluminum	NTWP240XXXXX-XXXXXXX- <u>A</u> XXX-500

Color of Cabinet		
	Description	Model Name
Standard	Sliver	NTWP240XXXXX-XXXXXXX-<u>X</u>SXX-500
Option 1	Black	NTWP240XXXXX-XXXXXXX- <u>X</u> BXX-500
Option 2	White	NTWP240XXXXX-XXXXXXX- <u>X</u> WXX-500
Options	Other Color	NTWP240XXXXX-XXXXXXX- <u>X</u> XXX-500

* X = A~Z, 0~9 (Depends on Color)

Input /Output



Input / Output	Connectors	Input / Output	Connectors
HDMI (Output)	1	USB 3.0	4
DP (Output)	1	USB 2.0	6
Audio Output (3.5mm)	1	RS232	3
DC Power Input	1	LAN (RJ45)	2
AC Power Input	Option	Wi-Fi/Bluetooth & Antenna	Option
Speakers	2W x2		



Display Specifications

Screen Diagonal	609.7mm (24.0 inch)	Display Mode	TN Type, Normally White
Display Area	531.36x298.89 mm	Backlight Unit	LED (white LED)
Resolution	1920x1080 (FHD)	Viewing Angle (L/R, U/D)	170°/160° (CR=10)
Contrast Ratio	1000:1	Backlight Lifetime	30000 Hours
Display Ratio	16:9	Operating Temp.	0~50°C
Support Color	16.7M Colors	Storage Temp.	-20~60°C
Pixel Pitch	276.75x276.75 um	Surface Treatment	Anti-glare, Hardness 3H
Response Time	5 msec.		

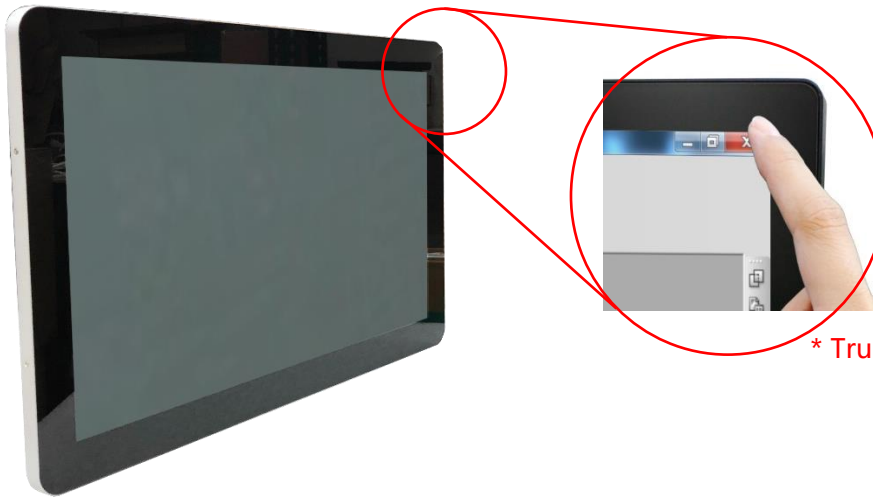
Display Options

Brightness			
	Brightness	Environment	Model Name
Standard	250nits	General (Indoor Environment)	NTWP240<u>N</u><u>S</u>XX-XXXXXXXX-XXXX-500
Option 1	600nits	High Brightness	NTWP240 <u>6</u> <u>S</u> XX-XXXXXXXX-XXXX-500
Option 2	1000nits *	Outdoor Environment	NTWP240 <u>A</u> <u>X</u> <u>1</u> XX-XXXXXXXX-XXXX-500
Option 3	1500nits *	Sunlight Readable	NTWP240 <u>F</u> <u>X</u> <u>1</u> XX-XXXXXXXX-XXXX-500

* Check the data sheet NTWP240-2

Touch Specifications

Touch Technology	Projected Capacitive	Transparency	≥87%
Allowed Touch Points	10 points	Accuracy	99.00%
Hardness of Cover Lens	7H	Thickness of Cover Lens	2.9±0.2mm



* True Flat, 1mm Bezel

Touch Options

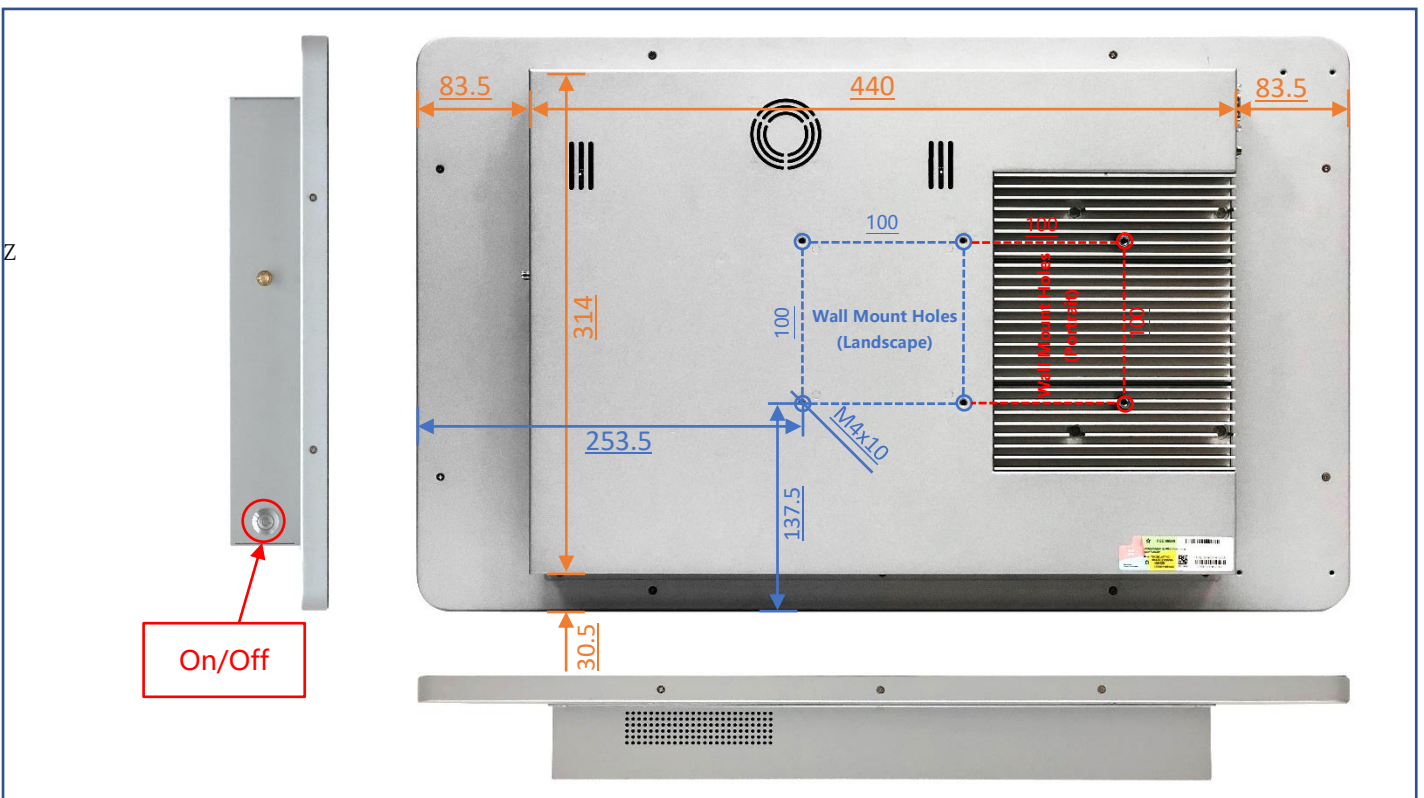
Active Stylus	
Technology	Active Capacitive Coupled
Working Frequencies	90~250 KHz , Freq. Hopping Supported
Pressure Level	256~1024 Levels
Side Buttons	2 Side Buttons (Eraser, Barrel)
Active Tip Force	5~25g
Max. Tip Force	400g



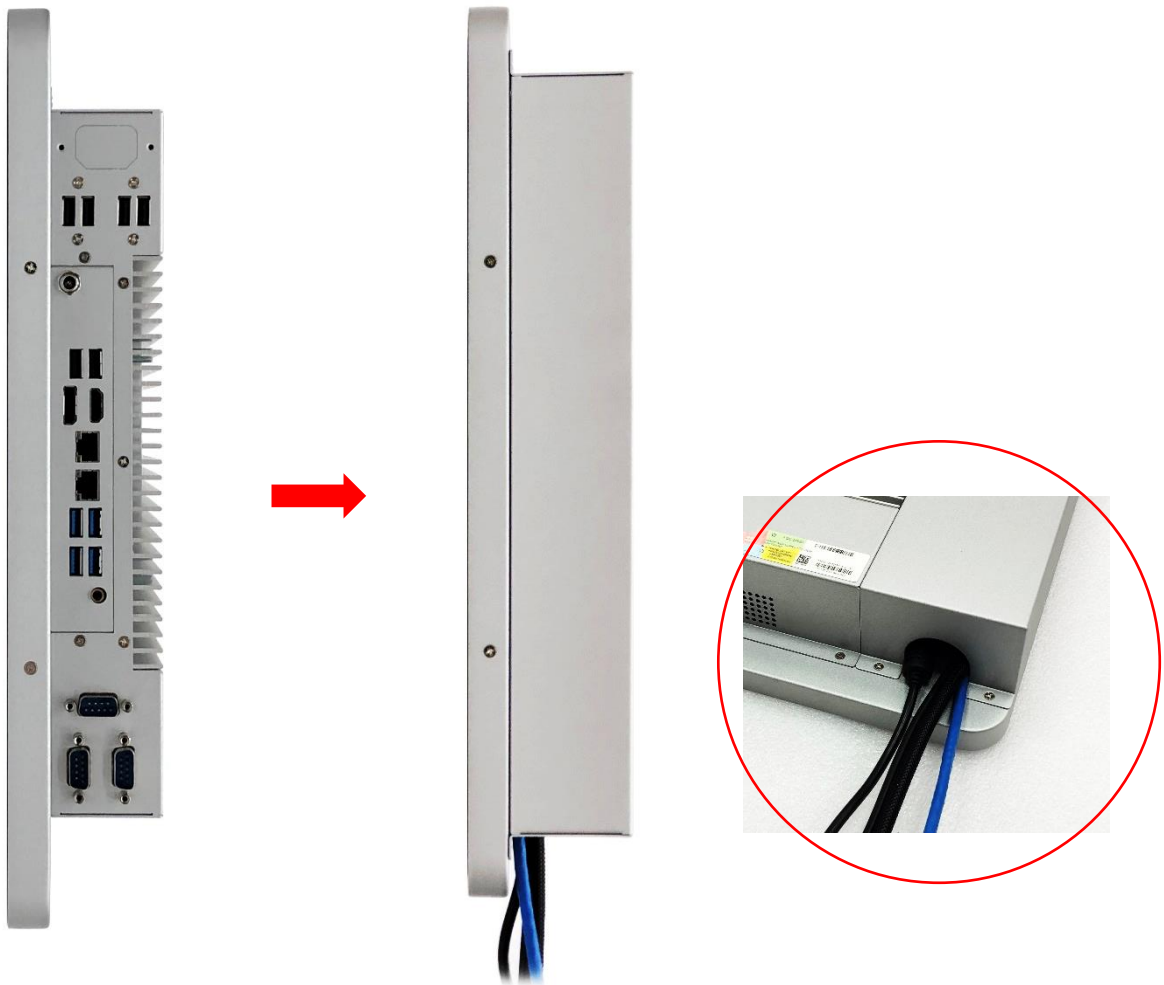
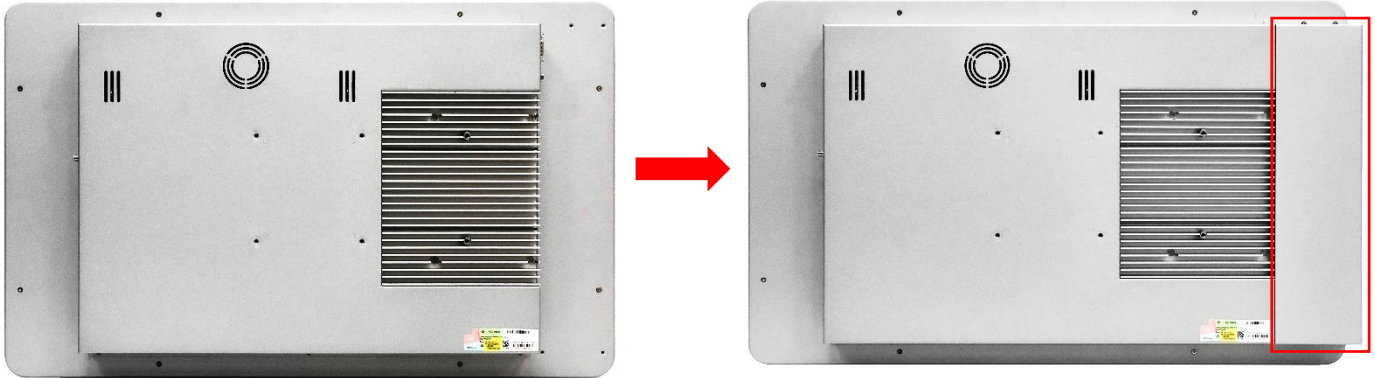
Surface Film Options		
	Description	Model Name
Standard	(none)	NTWP240XXX00-XXXXXXXX-XXXX-500
Option	Antibacterial (AB Film)	NTWP240XXX <u>AB</u> -XXXXXXXX-XXXX-500
Option	Anti-Glare +UV-Cut (AG+UV Film)	NTWP240XXX <u>GU</u> -XXXXXXXX-XXXX-500
Option	Anti-Glare +Fouling/Fingerprint (AG+AFP Film)	NTWP240XXX <u>GP</u> -XXXXXXXX-XXXX-500
Option	Anti-Reflective +Fouling/Fingerprint (AR+AFP Film)	NTWP240XXX <u>RP</u> -XXXXXXXX-XXXX-500
Option	Anti-Glare +Reflective +Fouling/Fingerprint (AG+AR+AFP Film)	NTWP240XXX <u>GR</u> -XXXXXXXX-XXXX-500
Option	Anti-Spy (AS Film)	NTWP240XXX <u>SF</u> -XXXXXXXX-XXXX-500

Physical Specifications

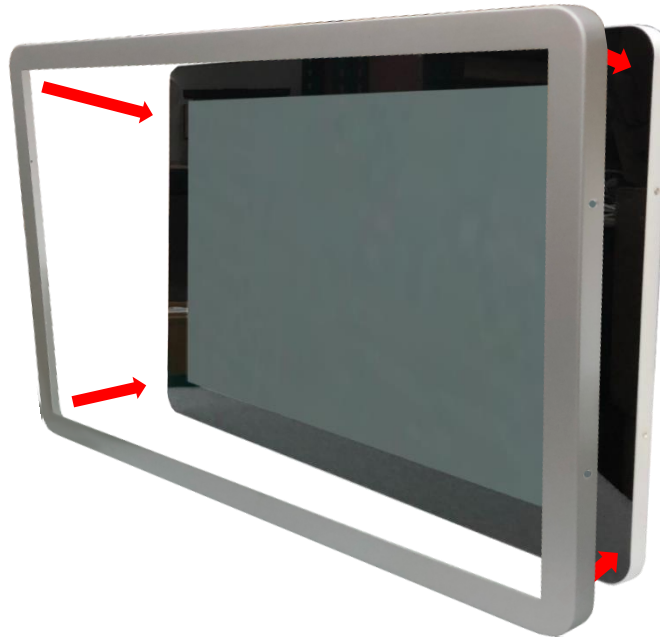
Dimension (Max)	607x375x69(±1)mm	Net Weight	≦ 9.5 KG
VESA Mounting	100x100 mm	Gross Weight	≦ 11.5 KG



Optional Accessories (Connector Protective Cover)



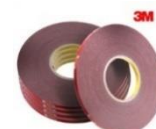
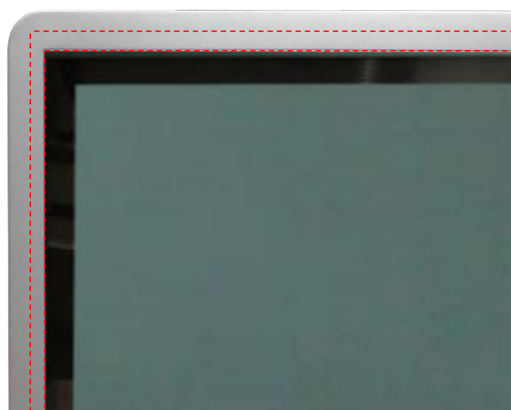
Optional Accessories (Front Cover)



The standard **NTWP240** is true flat surface, with only 1mm metal bezel.
To protect the corners of the touch screen, the **Front Cover** can be added.

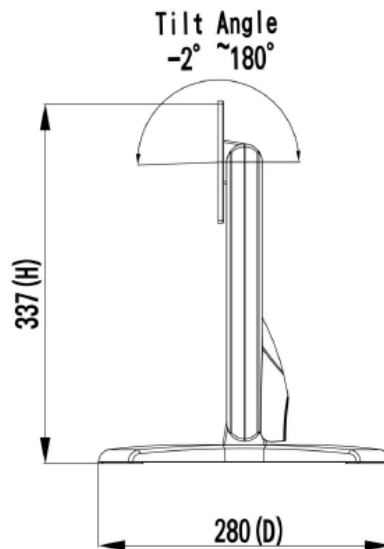
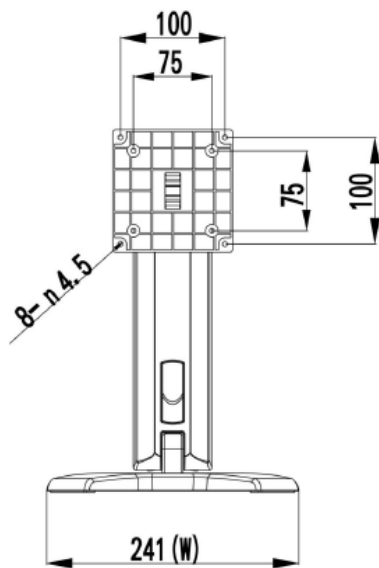


The watertight gasket can be added between the **Front Cover** and **NTWP240**.
It complies IP65 on front.

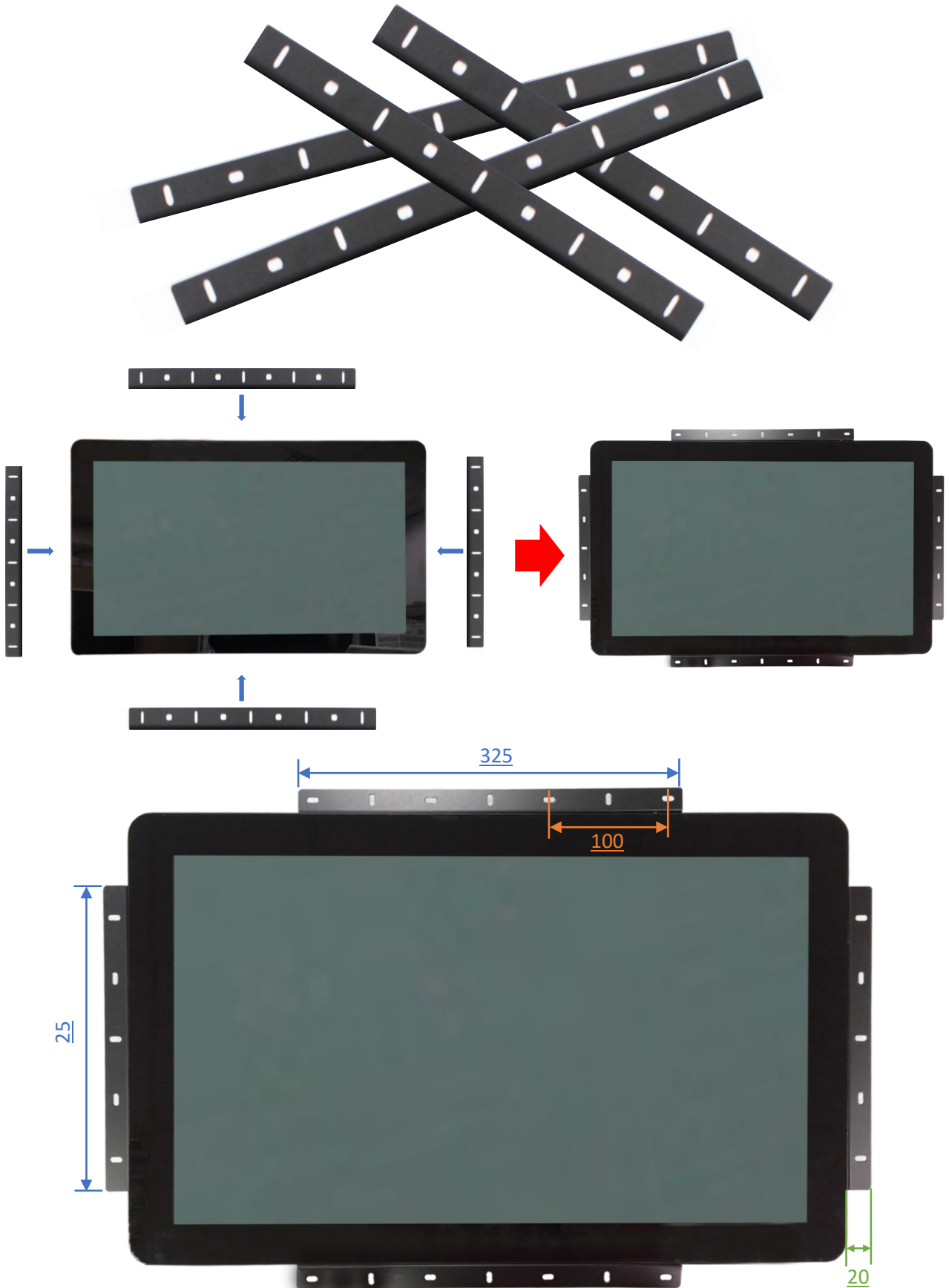


Optional Accessories (Desktop Stand)

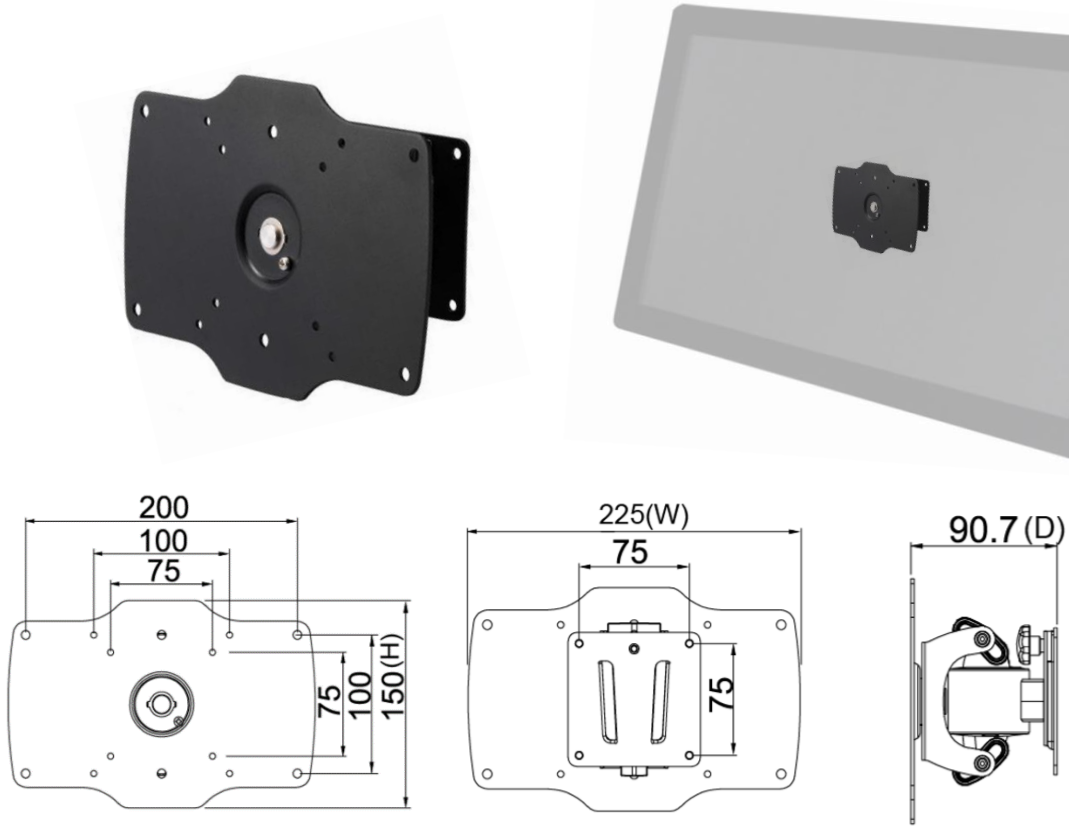
Item	B Stand	Part No.	DST-0B003/DST-1B003
Mounting Pattern	100x100 / 75x75 mm	Dimension (WxHxD)	203x275x227 mm
Material	Steel/Plastic/Aluminum	Net Weight	1.8 KG
Tile (Hinge)	-2° ~+180°	Support Max. Weight	15 KG



Optional Accessories (Open-frame Brackets)



Optional Accessories (Wall Mount Bracket)



Packing Information



Dimensions of Carton	752x187x518 mm
Net Weight	≤9.5 KG
Gross Weight	≤11.5 KG

Optional Accessories (Desktop Stand or Arm)



- 273x180x265 mm
- 1.07 KG
- Support 12 KG



- 620x556x123 mm
- 3 KG
- Support 10 KG



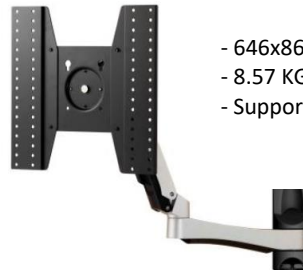
- 250x192x445 mm
- 1.4 KG
- Support 12 KG



- 655x858.5x563 mm
- 7.56 KG
- Support 30 KG



- 158x403x144 mm
- 2.12 KG
- Support 12 KG



- 646x861x953.5 mm
- 8.57 KG
- Support 30 KG



- 423x403x240 mm
- 1.91 KG
- Support 12 KG



- 1300x403x307 mm
- 5.3 KG
- Support 8 KG (2.7 KG Each)



- 715x393x144 mm
- 3.68 KG
- Support 12 KG (6 KG Each)

