

# Product Specifications

<b>Customer</b>	
<b>Model Name</b>	<b>NTWP270 V500</b>
<b>Model Number</b>	NTWP270 <u>XXXXXX</u> - <u>XXXXXXXX</u> - <u>XXXX</u> -500*

\* X = A~Z, 0~9 (Depends on options)



Records of Revision			
Vision	Modifying	Old Description	New Description
V2001.1	Official Release		
V2001.2	Revise Model Number of Surface Film		
V2001.3	Revise Option of CPU		
<b>V2001.4</b>	<b>Replace the Wall Mount</b>		

## Features

- ★ 27 inch,1920x1080 (FHD) Resolution
- ★ Wide Viewing Angle Technology (178°/178°)
- ★ Intel® Skylake/Kaby Lake CPU
- ★ DDR4 8G RAM (Max. 32G)
- ★ Serial ATAIIIx1, mSATA/mPCIe x1
- ★ True Flat Projected Capacitive Touch Screen
- ★ 7H Hardness Tempered Cover Glass
- ★ 10 points Multi-touch , Supports Active Stylus
- ★ Metal Cabinet with Diverse Combine Options
- ★ Made in Taiwan, 3 Years Warranty
- ★ Designed for Harsh Environments
- ★ Optional High Brightness/Sunlight Readable
- ★ Optional AG/AR/AF/AS Film
- ★ **Optional Antibacterial Film Option, disinfects 99.99% of Harmful Bacteria**



Side Brackets



Desktop Stand



Wall Mounting



## System Specifications

CPU	Intel® Skylake, Kaby Lake Celeron/Core i CPU
Memory	DDR4 SO-DIMM x2, Max. 32G
Storage	SATA x1, mSATA/mPCIe x1
GPU	Intel® HD Graphics
Sound Chip	Realtek ALC662 Audio CODEC
Network	Intel Gigabit LAN, 2 * RJ45 ports
Power Input	9~24V DC

## System Options

CPU		
	Description	Model Name
<b>Standard</b>	<b>Intel® Core i3-7100U</b>	<b>NTWP270XXXXX-XX<u>31</u>XXX-XXXX-500</b>
Option 1	Intel® Core i5-7300U	NTWP270XXXXX-XX <u>53</u> XXX-XXXX-500
Option 2	Intel® Core i7-7600U	NTWP270XXXXX-XX <u>71</u> XXX-XXXX-500
Option 3	Intel® Skylake Celeron 3855U	NTWP270XXXXX-XX <u>C3</u> XXX-XXXX-500

Memory		
	Description	Model Name
<b>Standard</b>	<b>DDR4 SO-DIMM 8G</b>	<b>NTWP270XXXXX-XXXX<u>8</u>XX-XXXX-500</b>
Option 1	DDR4 SO-DIMM 4G	NTWP270XXXXX-XXXX <u>4</u> XX-XXXX-500
Option 2	DDR4 SO-DIMM 16G	NTWP270XXXXX-XXXX <u>A</u> XX-XXXX-500
Option 3	DDR4 SO-DIMM 32G	NTWP270XXXXX-XXXX <u>B</u> XX-XXXX-500

Storage		
	Description	Model Name
<b>Standard</b>	<b>SSD 128G</b>	<b>NTWP270XXXXX-XXXXX<u>S1</u>-XXXX-500</b>
Option 1	SSD 256G	NTWP270XXXXX-XXXXX <u>S2</u> -XXXX-500
Option 2	SATA HDD 500G	NTWP270XXXXX-XXXXX <u>H5</u> -XXXX-500
Option 3	SATA HDD 1T	NTWP270XXXXX-XXXXX <u>H1</u> -XXXX-500

## System Options (Continued)

Power Input		
	Description	Model Name
Standard	9~24VDC in (2.1φ) with 12V/7.4A AC-DC Adapter	NTWP270XXXXX-XXXXXXX-XXX <u>3</u> -500
Option	100~240VAC, C14 Female Socket	NTWP270XXXXX-XXXXXXX-XXX <u>A</u> -500



Standard / 9~24VDC-in



Option / C14 AC Socket

Material of Cabinet		
	Description	Model Name
Standard	Galvanized steel (SECC)	NTWP270XXXXX-XXXXXXX- <u>S</u> XXX-500
Option 1	Stainless Steel	NTWP240XXXXX-XXXXXXX- <u>L</u> XXX-500
Option 2	Aluminum	NTWP240XXXXX-XXXXXXX- <u>A</u> XXX-500

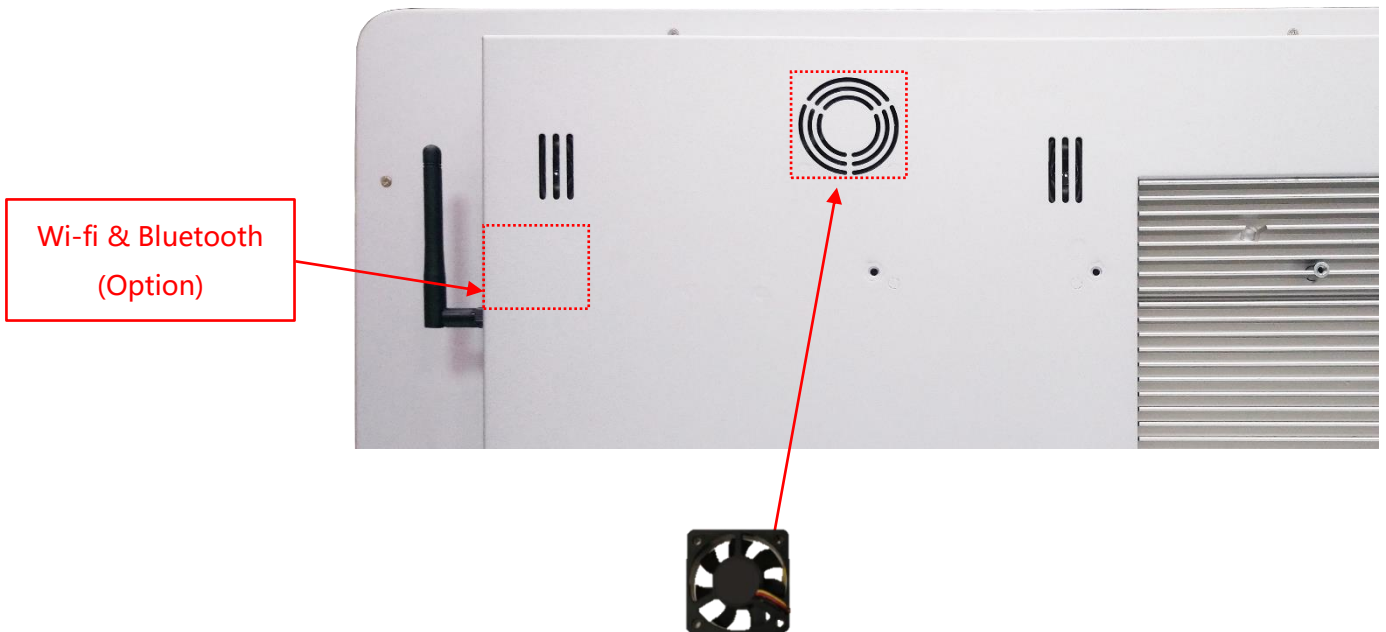
Color of Cabinet		
	Description	Model Name
Standard	Sliver	NTWP270XXXXX-XXXXXXX- <u>X</u> <u>S</u> XX-500
Option 1	Black	NTWP270XXXXX-XXXXXXX- <u>X</u> <u>B</u> XX-500
Option 2	White	NTWP270XXXXX-XXXXXXX- <u>X</u> <u>W</u> XX-500
Options	Other Color	NTWP270XXXXX-XXXXXXX- <u>X</u> <u>X</u> XX-500

\* X = A~Z, 0~9 (Depends on Color)

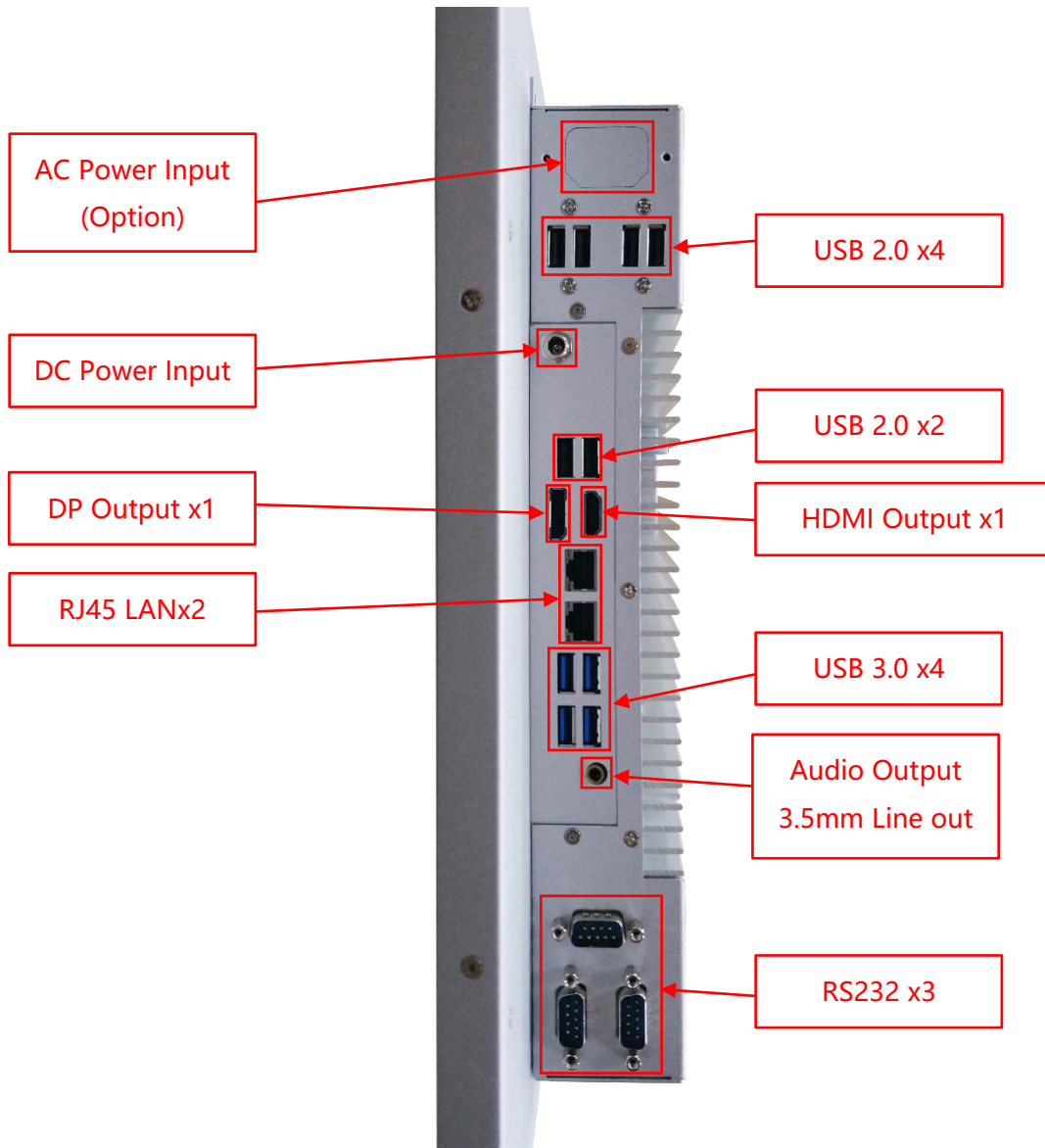
## System Options (Continued)

Cooling Fan		
	Description	Model Name
<b>Standard</b>	<b>Fanless</b>	<b>NTWP270XXXXX-XXXXXXX-XX0X-500</b>
Option	7 Blades/1.2W/4000r.p.m/Max.10.96CFM/28.3dB	NTWP270XXXXX-XXXXXXX-XXFX-500

Wireless Network	
	Description
<b>Standard</b>	<b>(None)</b>
Option	Wireless (Wi-Fi+BT4.0) Wi-Fi a/b/g/n/ac, Dual Mode Bluetooth 2.1/2.1+EDR,3.0,3.0+HS,4.0 (BLE)



## Input /Output



Input / Output	Connectors	Input / Output	Connectors
HDMI (Output)	1	USB 3.0	4
DP (Output)	1	USB 2.0	6
Audio Output (3.5mm)	1	RS232	3
DC Power Input	1	LAN (RJ45)	2
AC Power Input	<b>Option</b>	Wi-Fi/Bluetooth & Antenna	<b>Option</b>
Speakers	<b>2W x2</b>		



## Display Specifications

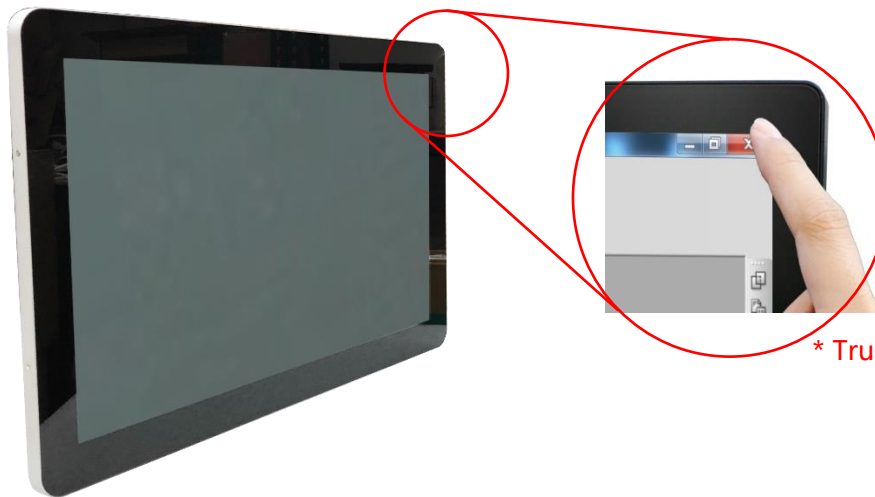
Screen Diagonal	<b>609.7mm (24.0 inch)</b>	Display Mode	<b>VA Type, Normally Black</b>
Display Area	<b>597.6x336.2 mm</b>	Backlight Unit	<b>LED (white LED)</b>
Resolution	<b>1920x1080 (FHD)</b>	Viewing Angle (L/R, U/D)	<b>178°/178° (CR=10)</b>
Contrast Ratio	<b>3000:1</b>	Backlight Lifetime	<b>30000 Hours</b>
Display Ratio	<b>16:9</b>	Operating Temp.	<b>0~50°C</b>
Support Color	<b>16.7M Colors</b>	Storage Temp.	<b>-20~60°C</b>
Pixel Pitch	<b>311.25x311.25 um</b>	Surface Treatment	<b>Anti-glare, Hardness 3H</b>
Response Time	<b>5 msec.</b>		

## Display Options

<b>Brightness</b>			
	<b>Brightness</b>	<b>Environment</b>	<b>Model Name</b>
<b>Standard</b>	<b>300nits</b>	<b>General (Indoor Environment)</b>	<b>NTWP270NXXXX-XXXXXXXX-XXXX-500</b>
Option	1000nits *	Outdoor Environment	NTWP270AXXXX-XXXXXXXX-XXXX-500

## Touch Specifications

Touch Technology	<b>Projected Capacitive</b>	Transparency	<b>≥87%</b>
Allowed Touch Points	<b>10 points</b>	Accuracy	<b>99.00%</b>
Hardness of Cover Lens	<b>7H</b>	Thickness of Cover Lens	<b>2.9±0.2mm</b>



\* True Flat, 1mm Bezel

## Touch Options

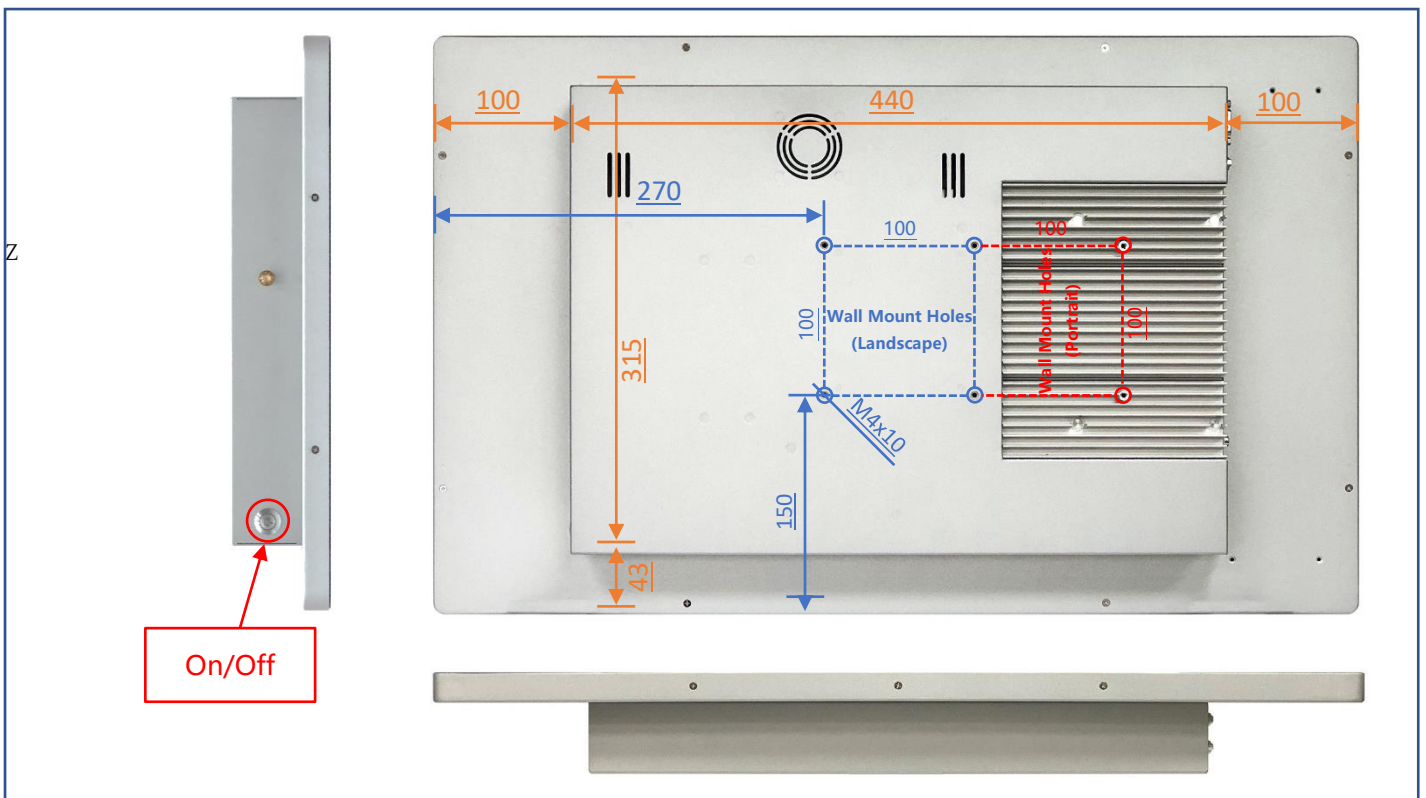
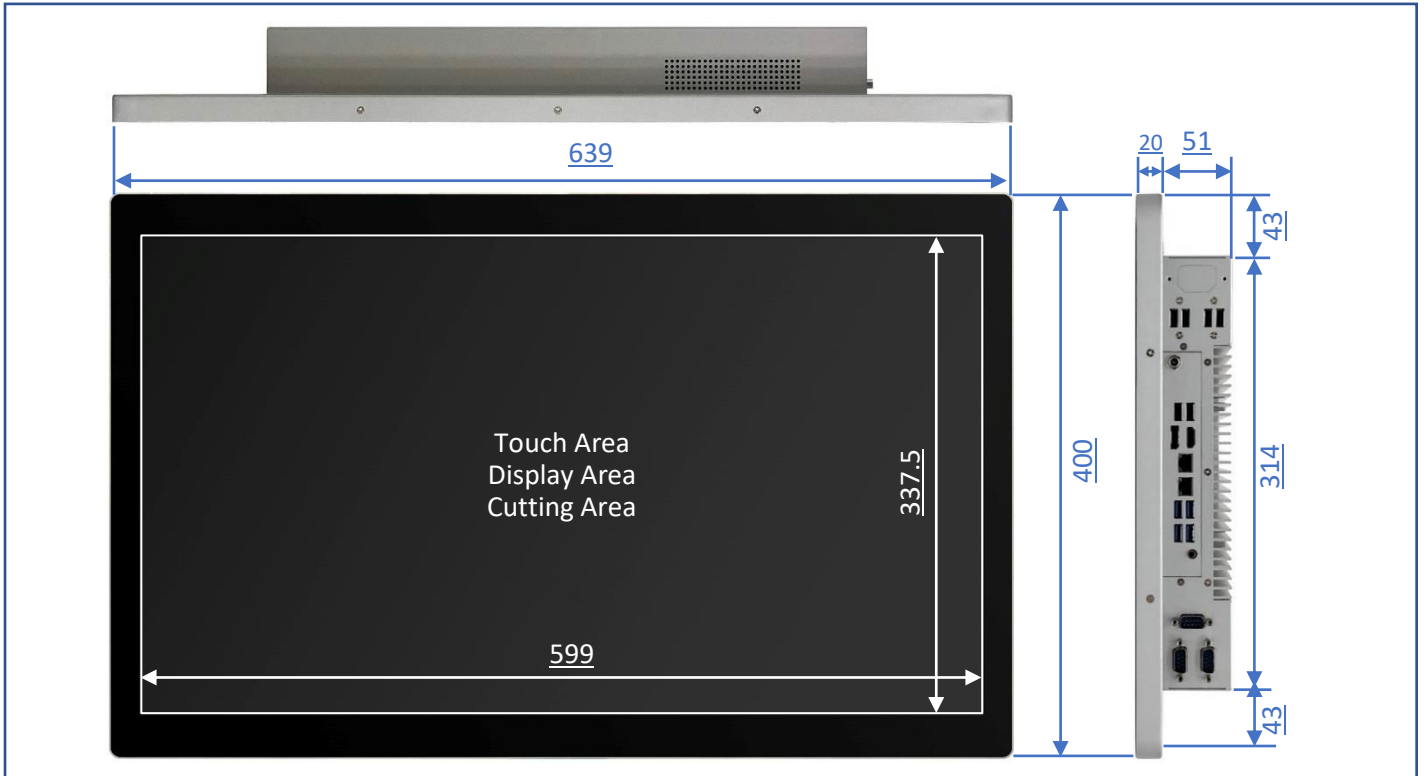
Active Stylus	
Technology	<b>Active Capacitive Coupled</b>
Working Frequencies	<b>90~250 KHz , Freq. Hopping Supported</b>
Pressure Level	<b>256~1024 Levels</b>
Side Buttons	<b>2 Side Buttons (Eraser, Barrel)</b>
Active Tip Force	<b>5~25g</b>
Max. Tip Force	<b>400g</b>



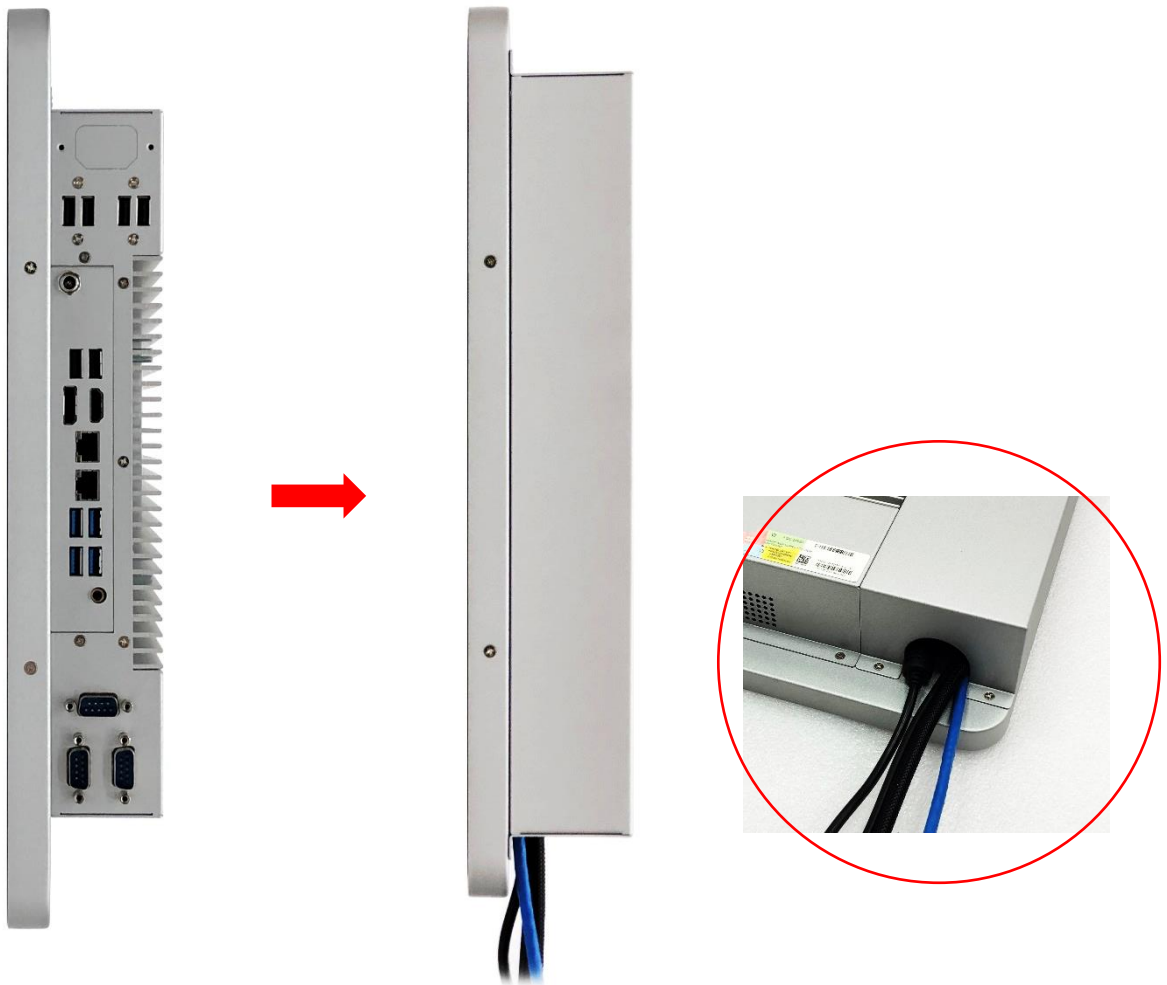
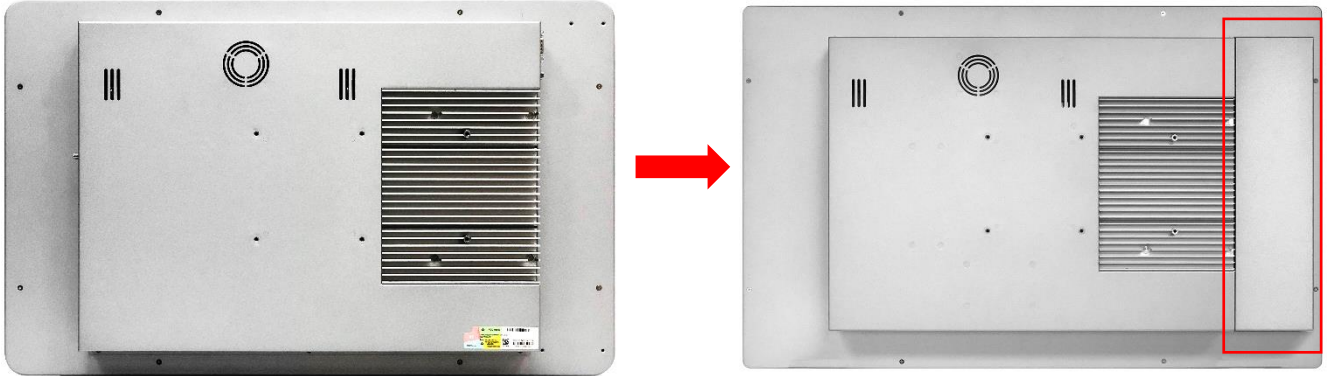
Surface Film Options		
	Description	Model Name
<b>Standard</b>	<b>(none)</b>	<b>NTWP270XXX00-XXXXXXXX-XXXX-500</b>
Option	Antibacterial (AB Film)	NTWP270XXXAB-XXXXXXXX-XXXX-500
Option	Anti-Glare +UV-Cut (AG+UV Film)	NTWP270XXXGU-XXXXXXXX-XXXX-500
Option	Anti-Glare +Fouling/Fingerprint (AG+AFP Film)	NTWP270XXXGP-XXXXXXXX-XXXX-500
Option	Anti-Reflective +Fouling/Fingerprint (AR+AFP Film)	NTWP270XXXRP-XXXXXXXX-XXXX-500
Option	Anti-Glare +Reflective +Fouling/Fingerprint (AG+AR+AFP Film)	NTWP270XXXGR-XXXXXXXX-XXXX-500
Option	Anti-Spy (AS Film)	NTWP270XXXSF-XXXXXXXX-XXXX-500

## Physical Specifications

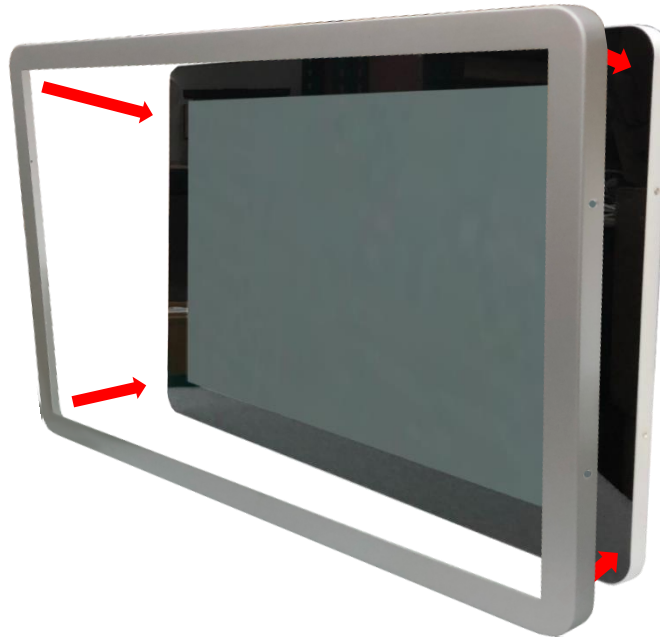
Dimension (Max)	<b>639x400x71(±1)mm</b>	Net Weight	≦ <b>10.2 KG</b>
VESA Mounting	<b>100x100 mm</b>	Gross Weight	≦ <b>12.4 KG</b>



## Optional Accessories (Connector Protective Cover)



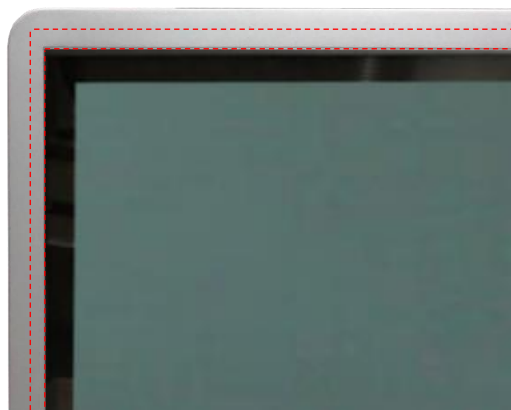
## Optional Accessories (Front Cover)



The standard **NTWP270** is true flat surface, with only 1mm metal bezel.  
To protect the corners of the touch screen, the **Front Cover** can be added.

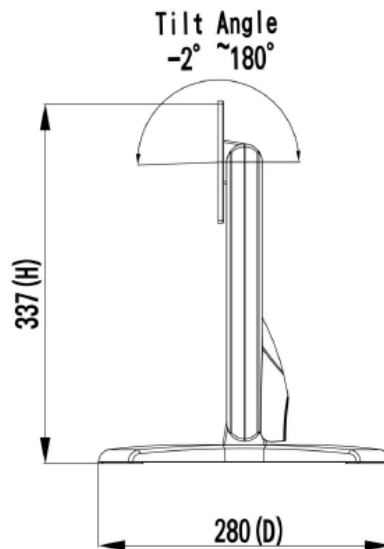
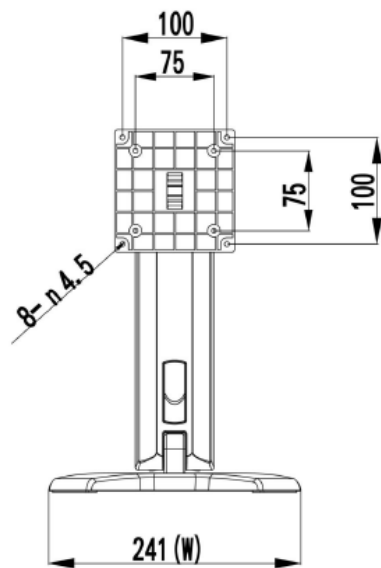


The watertight gasket can be added between the **Front Cover** and **NTWP270**.  
It complies IP65 on front.

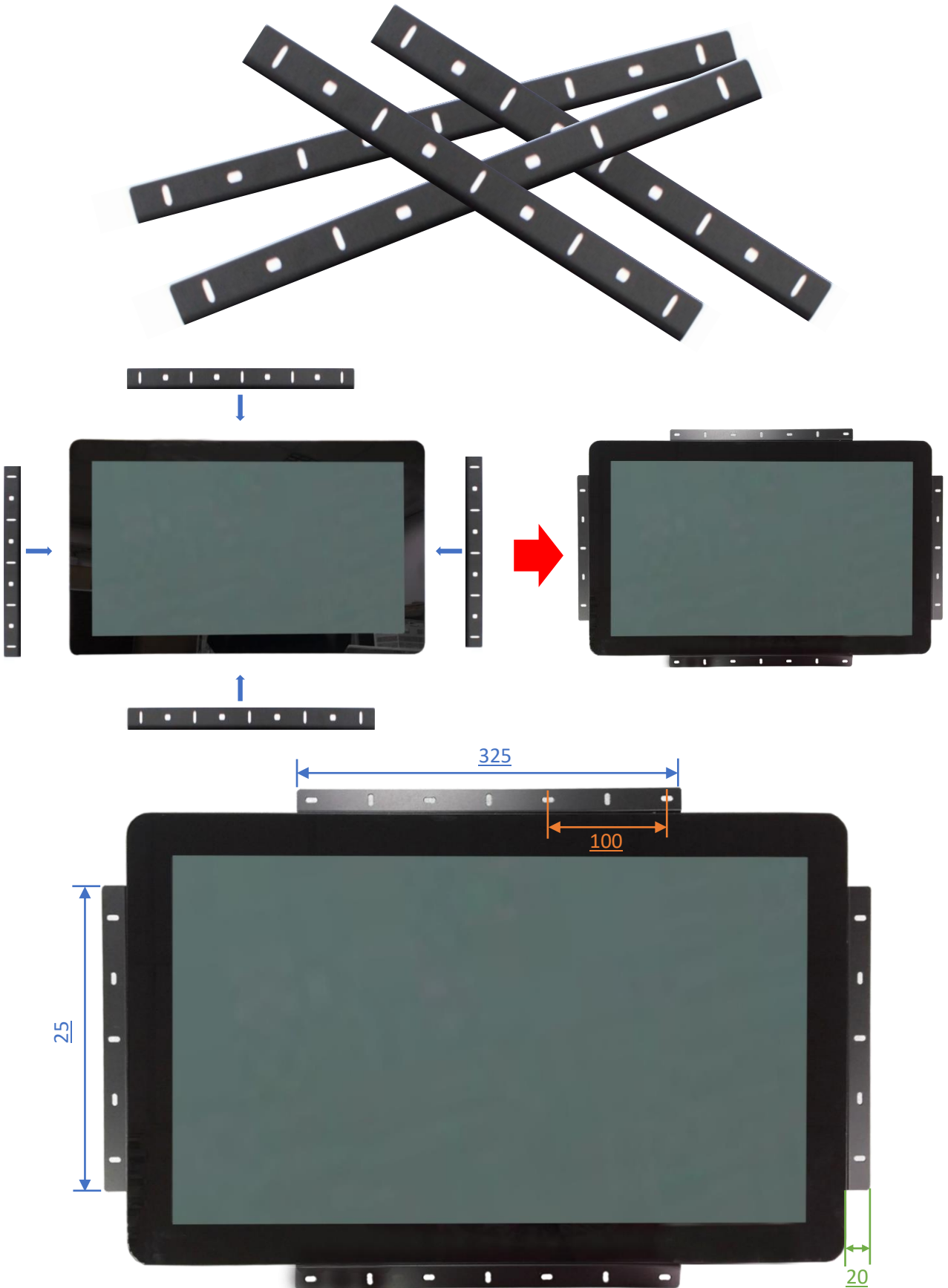


## Optional Accessories (Desktop Stand)

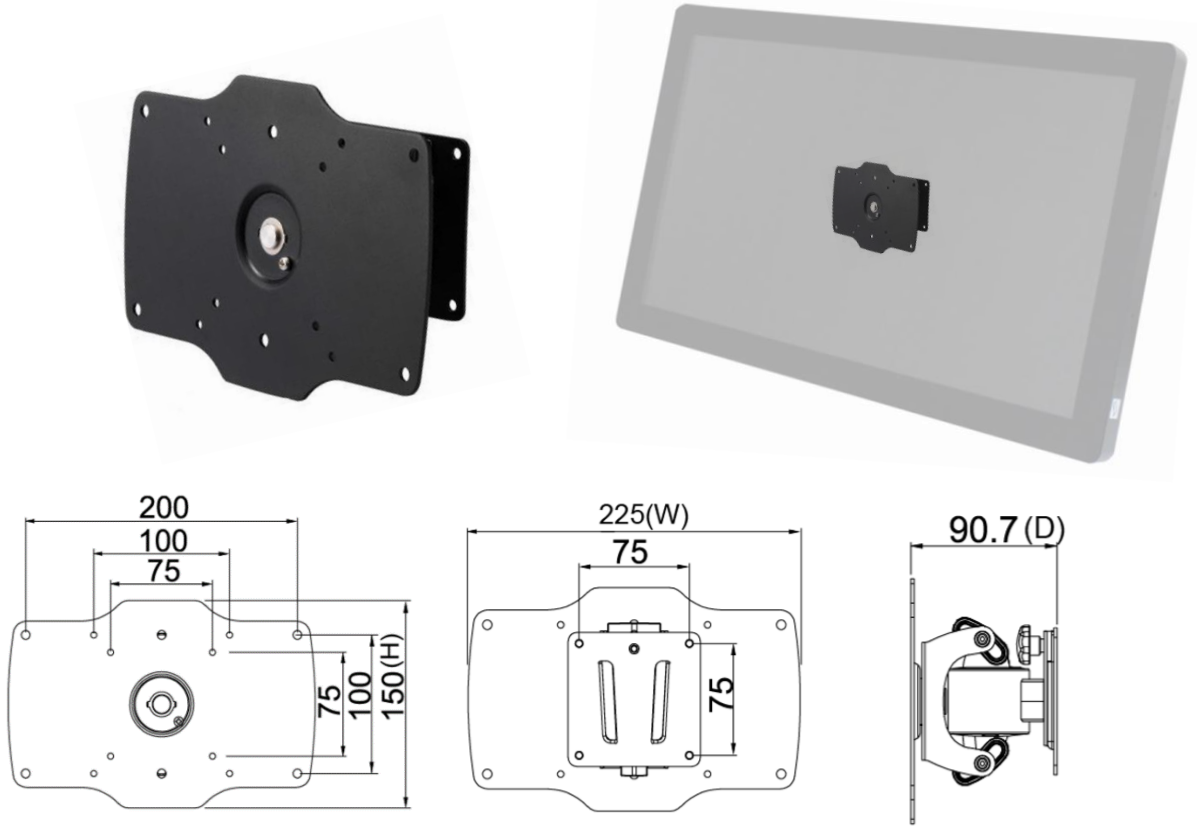
Item	B Stand	Part No.	DST-0B003/DST-1B003
Mounting Pattern	100x100 / 75x75 mm	Dimension (WxHxD)	203x275x227 mm
Material	Steel/Plastic/Aluminum	Net Weight	1.8 KG
Tile (Hinge)	-2° ~+180°	Support Max. Weight	15 KG



### Optional Accessories (Open-frame Brackets)



### Optional Accessories (Wall Mount Bracket)

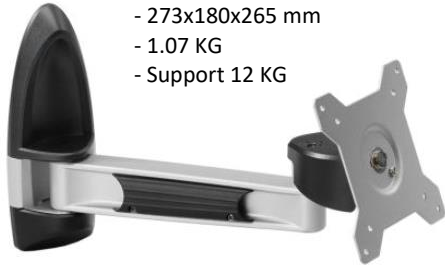


### Packing Information



Dimensions of Carton	<b>772x200x523mm</b>
Net Weight	<b>≤10.2 KG</b>
Gross Weight	<b>≤12.4 KG</b>

**Optional Accessories (Desktop Stand or Arm)**



- 273x180x265 mm  
 - 1.07 KG  
 - Support 12 KG



- 620x556x123 mm  
 - 3 KG  
 - Support 10 KG



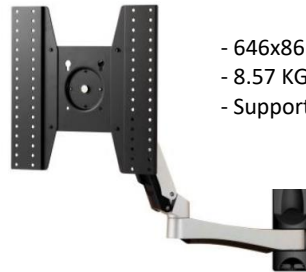
- 250x192x445 mm  
 - 1.4 KG  
 - Support 12 KG



- 655x858.5x563 mm  
 - 7.56 KG  
 - Support 30 KG



- 158x403x144 mm  
 - 2.12 KG  
 - Support 12 KG



- 646x861x953.5 mm  
 - 8.57 KG  
 - Support 30 KG



- 423x403x240 mm  
 - 1.91 KG  
 - Support 12 KG



- 1300x403x307 mm  
 - 5.3 KG  
 - Support 8 KG (2.7 KG Each)



- 715x393x144 mm  
 - 3.68 KG  
 - Support 12 KG (6 KG Each)

