

Product Specifications

Customer	
Model Name	NTWP320-1 V613
Model Number	NTWP320<u>XXSXX</u>-SI<u>XXXXXX</u>-<u>XXXA</u>-613

* X = A~Z, 0~9 (Depends on Options.)



Records of Revision			
Vision	Modifying	Old Description	New Description
v2512.1	Preliminary Specification		

Nextech WP Series 32" Industrial All-in-one Touch PC

NTWP320-1 V613

Features

- ★ 32 inch, 1920x1080 (FHD) Resolution
- ★ Wide Viewing Angle (178°/178°)
- ★ Intel® 13th Generation Core i Series CPU
- ★ DDR4 8G RAM, Max to 32G
- ★ GbE LAN Port x2
- ★ 128G SSD, Max to 1T
- ★ Realtek Audio HAD Codec,
- ★ RS485 Port x1, RS232 Port x6
- ★ USB 3.0 x6
- ★ Narrow Bezel, True Flat Projected Capacitive Touch Screen
- ★ 7H Hardness Tempered Cover Glass
- ★ 10 points Multi-touch, Supports NEXTECH Dedicated Stylus
- ★ Metal Cabinet with Diverse Combine Options
- ★ Made in Taiwan, 3 Years Warranty
- ★ Optional High Brightness 2500nits, for Outdoor Environment
- ★ Optional Anti-Glare&UV/Antibacterial/Privacy Filter Surface Treatment



PSE



BSMI



RoHS



CE



ISO9001



FCC



Desktop Stand



Open-frame Brackets



Wall Mounting



Cart



KIOSK Cabinet

System Specifications

CPU	Intel® Core i U Series Processor
Memory	DDR4 SO-DIMM, Max. Capacity 32G
Network	2 * Intel® GbE LAN Chip (10/100/1000 Mbps, RJ45)
Storage	SATA3.0 7P Connector (With 1 * SATA Power Wafer)x1 M.2 Key-M Slot (PCIe x4/ SATA, Default PCIE 4x, Support PCIe x4 NVMe, 2280) x1
Sound Chip	Realtek Audio HAD Codec
Rear I/O	HDMI x1, DP x1 RJ45 LAN Ports x2 USB 3.0 x6 RS485 x1, RS232 x6 Line-Out + MIC 2in1 3.5mm Jack x1
Operating Temp.	0~60°C
Storage Temp.	-20~75°C
Power Input	100~240VAC

Display Specifications

Screen Diagonal	32 inch	Display Mode	Normally Black
Display Area	698x392.85 mm	Response Time	8 msec.
Resolution	1920x1080 (FHD)	Backlight Unit	LED (white LED)
Contrast Ratio	1200:1	Viewing Angle (L/R, U/D)	178°/178° (CR=10)
Display Ratio	16:9	Backlight Lifetime	>30,000 hours
Support Colors	16.7M Colors	Operating Temp.	0~50°C
Pixel Pitch	121.25x363.75 um	Storage Temp.	5~40°C

Display Options

Brightness			
	Brightness	Environment	Model Name
Standard	400nits	General (Indoor)	NTWP320NXSXX-SIXXXXXX-XXFA-613
Option 1	500nits	General (Indoor)	NTWP320NX2XX-SIXXXXXX-XXFA-613 *
Option 2	1500nits	Outdoor Environment	NTWP320HX3XX-SIXXXXXX-XXFA-613 *
Option 3	2500nits	Sunlight Readable	NTWP320HX4XX-SIXXXXXX-XXFA-613 *

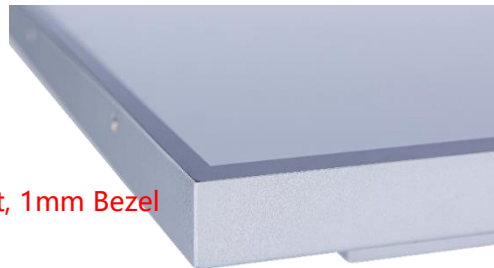
* Check the data sheets: NTWP320-2, NTWP320-3, NTWP320-4

Touch Options

Touch Screen		
	Description	Model Name
Standard	Projected Capacitive Touch	NTWP320XPSXX-SIXXXXX-XXXXA-613
Option	Non-Touch	NTWP320X0SXX-SIXXXXX-XXXXA-613

Projected Capacitive Touch

Allowed Touch Points	10 points	Thickness of Cover Lens	3.0±0.2mm
Transparency	≥87%	Hardness of Cover Lens	7H
Accuracy	99.00%	IK Ratings	IK07



* True Flat, 1mm Bezel

Surface Treatment		
	Description	Model Name
Standard	(none)	NTWP320XXS00-SIXXXXX-XXXXA-613
Option 1	Anti-Glare&Anti-UV Coating	NTWP320XXSGG-SIXXXXX-XXXXA-613
Option 2	Antibacterial (AB Film)	NTWP320XXSAB-SIXXXXX-XXXXA-613
Option 3	Anti-Spy (AS Film)	NTWP320XXSFF-SIXXXXX-XXXXA-613

Passive Stylus Pen (Option)	
Technology	Passive High Sensitive Knitted Wire Mesh Fiber Tip
Size of tip	6mm
Magnetic Attachment	Yes



Magnetic Attachment >

System Options

CPU		
	Item	Model Name
Standard	Core i3-1315U	NTWP320XXSXX-SI<u>31</u>XXX-XXXXA-613
Option 1	Core i5-1335U	NTWP320XXSXX-SI <u>51</u> XXX-XXXXA-613
Option 2	Core i7-1355U	NTWP320XXSXX-SI <u>71</u> XXX-XXXXA-613

Memory		
	Item	Model Name
Standard	DDR4 SO-DIMM 8G	NTWP320XXSXX-SI<u>XX8</u>XX-XXXXA-613
Option 1	DDR4 SO-DIMM 16G	NTWP320XXSXX-SI <u>XXA</u> XX-XXXXA-613
Option 2	DDR4 SO-DIMM 32G	NTWP320XXSXX-SI <u>XXB</u> XX-XXXXA-613
Option 3	DDR4 SO-DIMM 64G	NTWP320XXSXX-SI <u>XXC</u> XX-XXXXA-613

Storage		
	Item	Model Name
Standard	SSD 128G	NTWP320XXSXX-SI<u>XXXS1</u>-XXXXA-613
Option 1	SSD 256G	NTWP320XXSXX-SI <u>XXXS2</u> -XXXXA-613
Option 2	SSD 512G	NTWP320XXSXX-SI <u>XXXS3</u> -XXXXA-613
Option 3	SSD 1T	NTWP320XXSXX-SI <u>XXXH1</u> -XXXXA-613
Option 4	SSD 128G + SATA HDD 1T	NTWP320XXSXX-SI <u>XXXSH</u> -XXXXA-613

System Options (Continued)

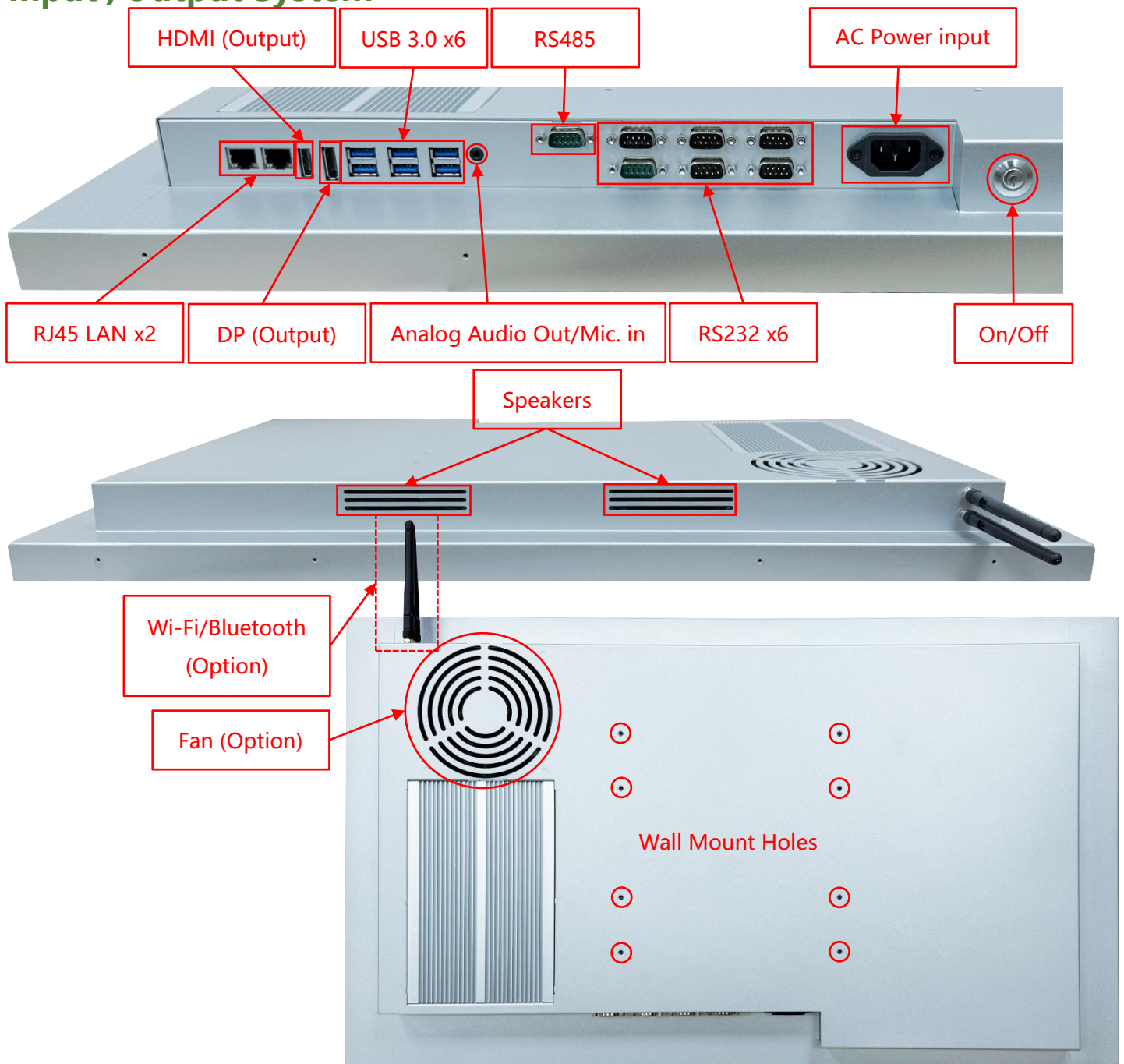
Material of Cabinet		
	Description	Model Name
Standard	SECC	NTWP320XXSXX-SIXXXXXX-<u>S</u>XXA-613
Option 1	Stainless Steel	NTWP320XXSXX-SIXXXXXX- <u>L</u> XXA-613
Option 2	Aluminum	NTWP320XXSXX-SIXXXXXX- <u>A</u> XXA-613

Color of Cabinet		
	Description	Model Name
Standard	Silver	NTWP320XXSXX-SIXXXXXX-<u>X</u>SXA-613
Option 1	White	NTWP320XXSXX-SIXXXXXX- <u>X</u> WXA-613
Option 2	Black	NTWP320XXSXX-SIXXXXXX- <u>X</u> BXA-613
Options	Other Colors	NTWP320XXSXX-SIXXXXXX- <u>X</u> XXA-613

* X = A~Z, 0~9 (Depends on Color)

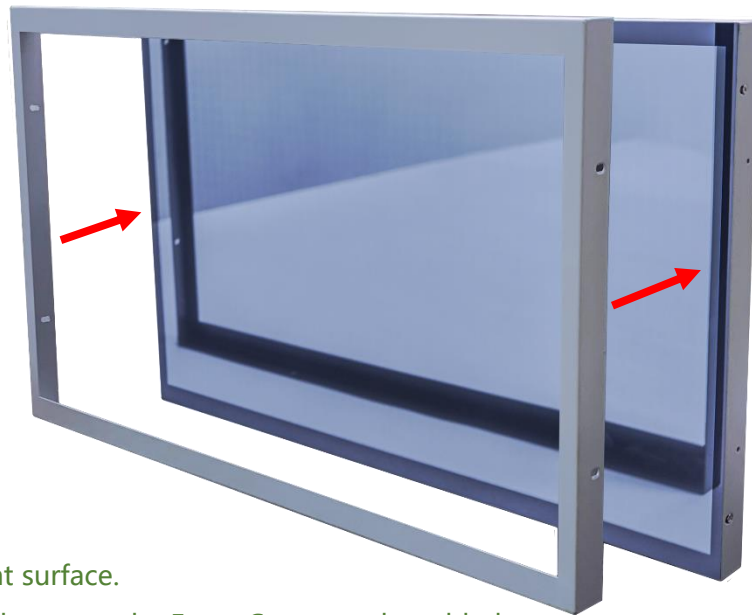
Cooling Fan		
	Description	Model Name
Standard	Fanless	NTWP320XXSXX-SIXXXXXX-<u>XX</u>0A-613
Option	7 Blades/4000r.p.m/28.3dB	NTWP320XXSXX-SIXXXXXX- <u>XX</u> FA-613

Input /Output System



Input / Output	Connectors	Input / Output	Connectors
HDMI (Output)	1	LAN (RJ45)	2
DP (Output)	1	Analog Audio Out/Mic. in	1
USB 3.0	6	Speakers	10W x2
RS485	1	AC Power Input	1
RS232	6	Wi-Fi/Bluetooth & Antenna	Option

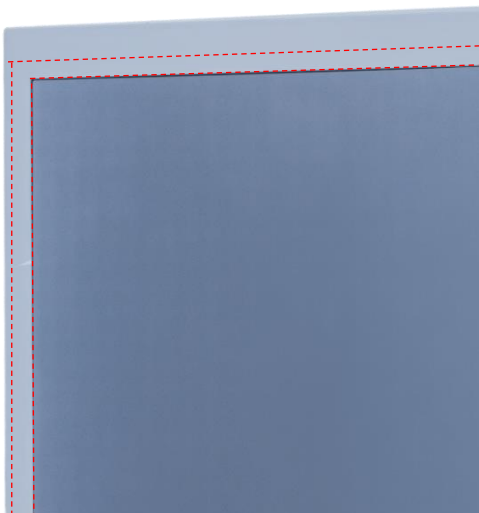
Front Cover (Option)



The standard **NTWP320** is true flat surface.
To protect the corners of the touch screen, the Front Cover can be added.

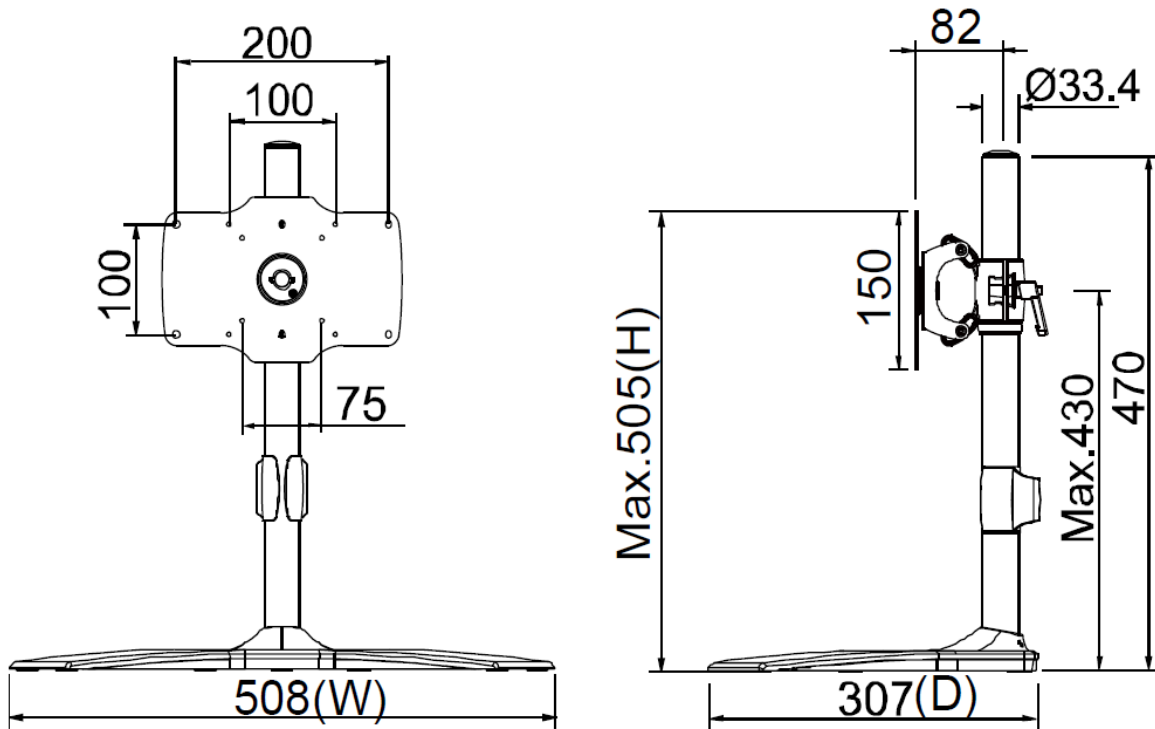


The watertight gasket can be added between the Front Cover and **NTWP320**.
It complies **IP65** on front.

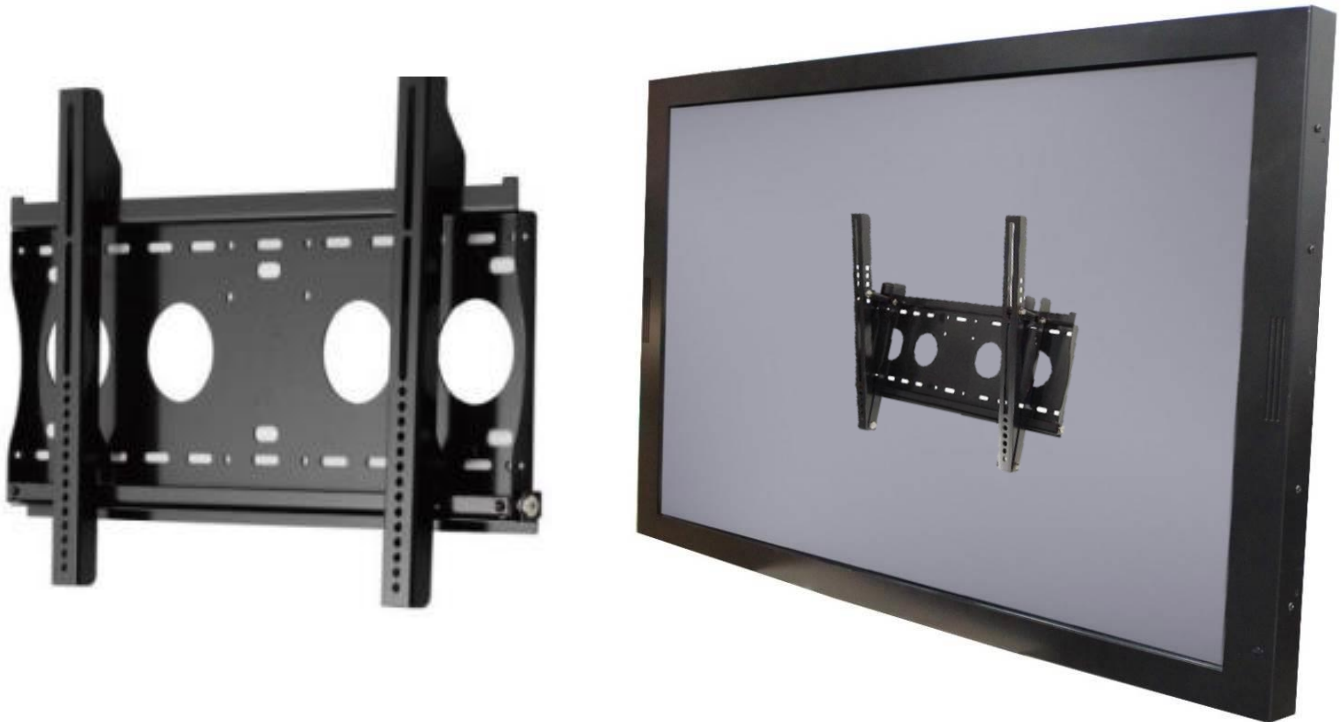


Desktop Stand (Option)

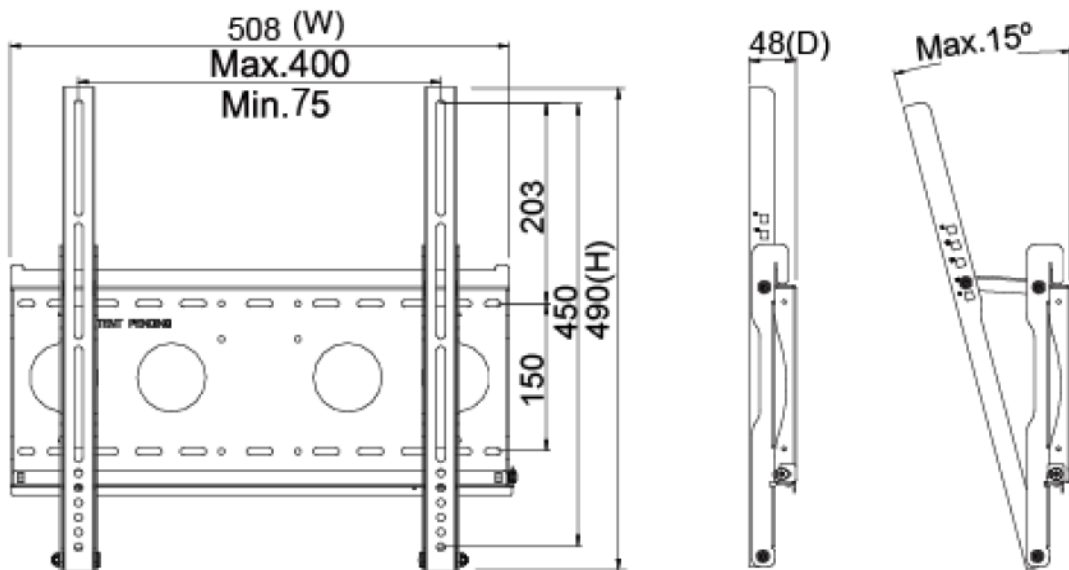
Item	T Stand	Part No.	DST-1B007
Mounting Pattern	200x100/100x100/75x75 mm	Dimension (WxHxD)	508(W)x307(D)x470(H) mm
Material	Steel/Plastic/Aluminum	Net Weight	2.44 KG
Tilt (Hinge)	+/-15°	Support Max. Weight	15 KG



Wall Mount Bracket (Option)



Part No.	WMB-B001		
Mounting Pattern	Max. 400x450 mm	Mounting Pattern	Max. 400x450 mm
Material	SECC	Material	SECC
Tilt (Hinge)	0°/5°/10°/13°/15°	Tilt (Hinge)	0°/5°/10°/13°/15°
Screw Type	M4/M5/M6/M8	Screw Type	M4/M5/M6/M8



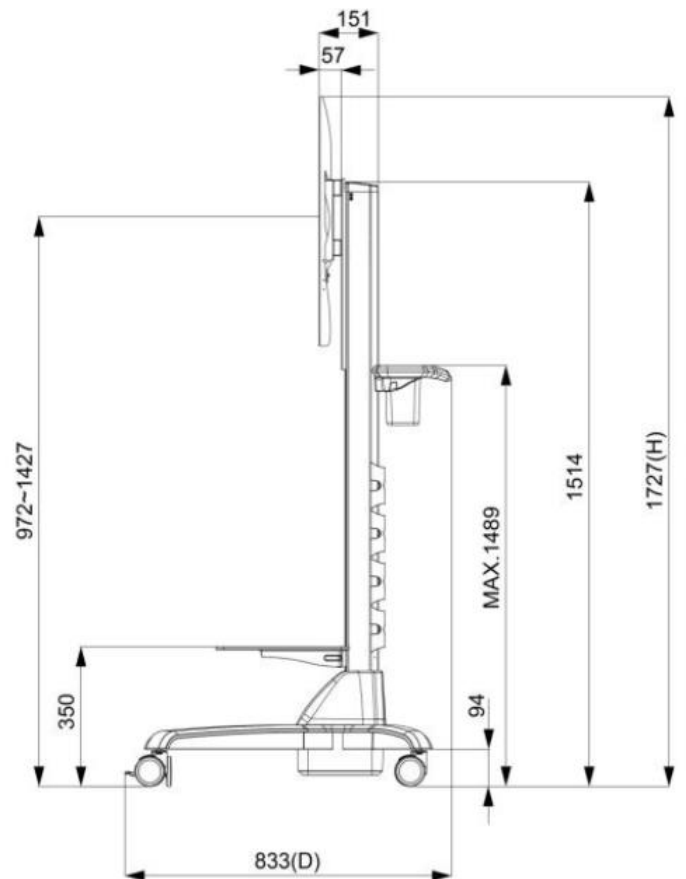
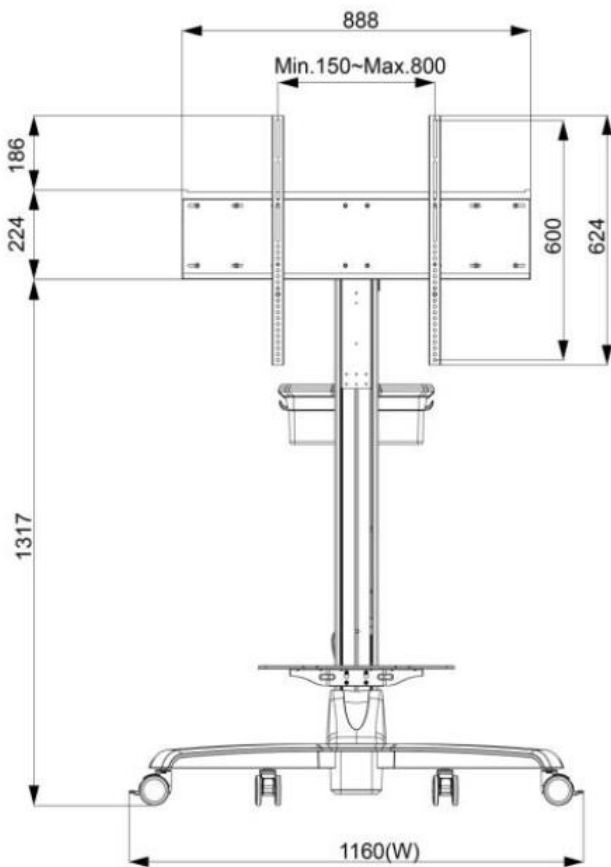
Nextech WP Series 32" Industrial All-in-one Touch PC

NTWP320-1 V613

Cart (Option)



Net Weight	28.4 KG
Power System	AC 200~240V 50/60Hz
User Interface	Button (up/down)
Packaged Dimension	W1160xD833xH1727 mm
Screw Type	M4/M5/M6/M8
Material	Aluminum/Plastic/Steel
Max. Mount Pattern	800x600mm
Max. Weight Load	80 KG
Caster	4 (front 2 braking)
Height Adjust Range	455 mm
RoHS/REACH	Yes



KIOSK Cabinet (Option)

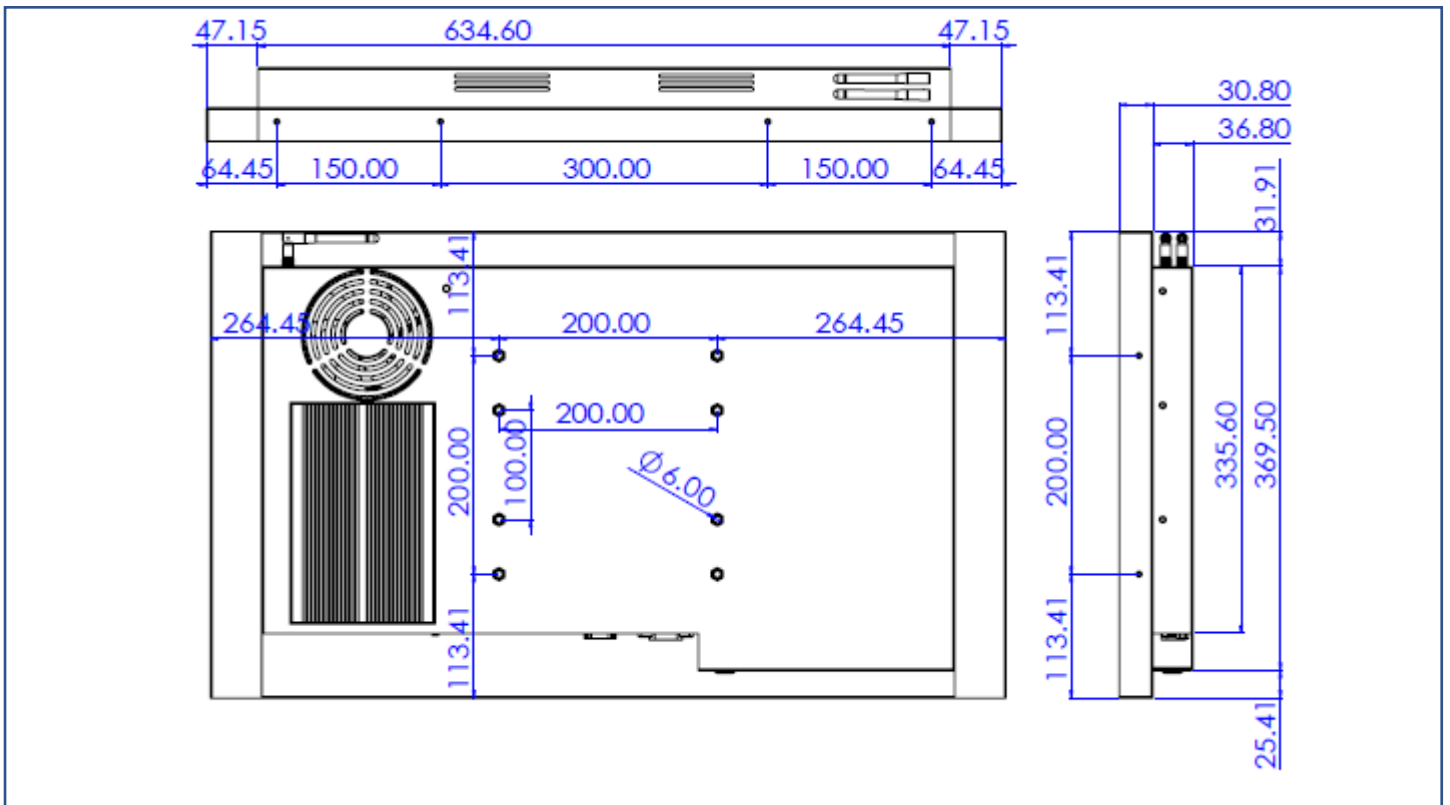
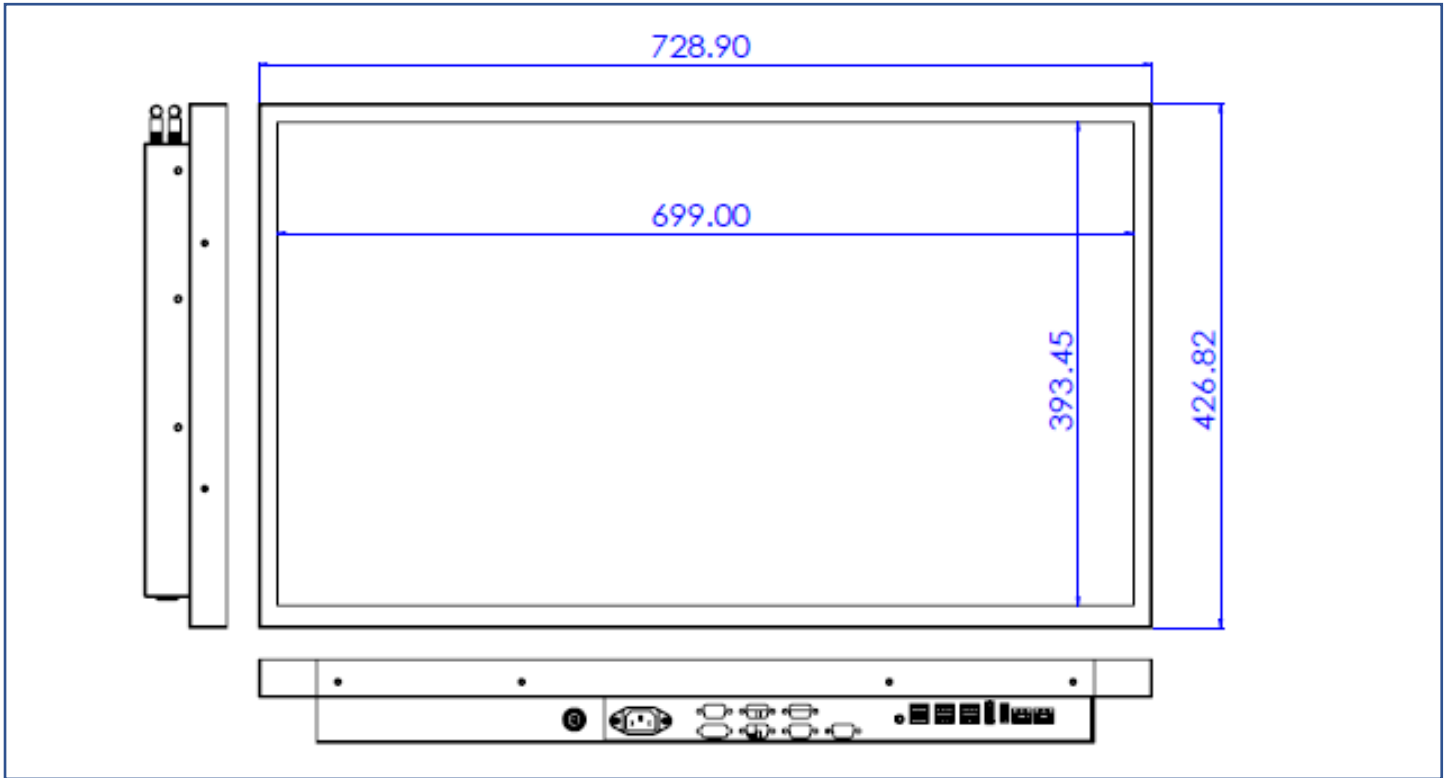


Material	SECC
Caster	4 (front 2 braking)
Ingress Protection	Front IP65
Power Socket	None (Wire Hole Reserved)



Physical Specifications

Dimension	728.9x426.82x67.6(±2)mm	Net Weight	≤15.2 KG
VESA Mounting	200x100mm/200x200mm	Gross Weight	≤19.0 KG



Packing Information



Dimensions of Carton	105x24x68 CM
Net Weight	≲ 15.2 KG
Gross Weight	≲ 19.0 KG