

# Product Specifications

<b>Customer</b>	
<b>Model Name</b>	<b>NTWP320-4 V613</b>
<b>Model Number</b>	<b>NTWP320H<u>X</u>4<u>XX</u>-SI<u>XXXXXX</u>-<u>XX</u>FA-613</b>

\* X = A~Z, 0~9 (Depends on Options.)



Records of Revision			
Vision	Modifying	Old Description	New Description
v2512.1	Preliminary Specification		

# Nextech WP Series 32" Industrial All-in-one Touch PC

**NTWP320-4 V613**

## Features

- ★ 32 inch, 1920x1080 (FHD) Resolution
- ★ 2500nits High Brightness
- ★ Wide Operating Temperature Range -20~60°C
- ★ Wide Viewing Angle (178°/178°)
- ★ Intel® 13th Generation Core i Series CPU
- ★ DDR4 8G RAM, Max to 32G
- ★ GbE LAN Port x2
- ★ 128G SSD, Max to 1T
- ★ Realtek Audio HAD Codec,
- ★ RS485 Port x1, RS232 Port x6
- ★ USB 3.0 x6
- ★ Narrow Bezel, True Flat Projected Capacitive Touch Screen
- ★ 7H Hardness Tempered Cover Glass
- ★ 10 points Multi-touch, Supports NEXTECH Dedicated Stylus
- ★ Metal Cabinet with Diverse Combine Options
- ★ Made in Taiwan, 3 Years Warranty, Designed for Harsh Environments
- ★ Optional Anti-Glare&UV/Antibacterial/Privacy Filter Surface Treatment



PSE



BSMI



RoHS



CE



ISO9001



FCC



Desktop Stand



Open-frame Brackets



Wall Mounting



Cart



KIOSK Cabinet

## System Specifications

CPU	<b>Intel® Core i U Series Processor</b>
Memory	<b>DDR4 SO-DIMM, Max. Capacity 32G</b>
Network	<b>2 * Intel® GbE LAN Chip (10/100/1000 Mbps, RJ45)</b>
Storage	<b>SATA3.0 7P Connector (With 1 * SATA Power Wafer)x1 M.2 Key-M Slot (PCIe x4/ SATA, Default PCIE 4x, Support PCIe x4 NVMe, 2280) x1</b>
Sound Chip	<b>Realtek Audio HAD Codec</b>
Rear I/O	<b>HDMI x1, DP x1 RJ45 LAN Ports x2 USB 3.0 x6 RS485 x1, RS232 x6 Line-Out + MIC 2in1 3.5mm Jack x1</b>
Operating Temp.	<b>0~60°C</b>
Storage Temp.	<b>-20~75°C</b>
Power Input	<b>100~240VAC</b>

## Display Specifications

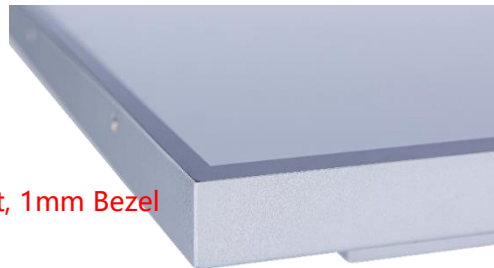
Screen Diagonal	<b>32 inch</b>	Display Mode	<b>Normally Black</b>
Display Area	<b>698x392.85 mm</b>	Response Time	<b>8 msec.</b>
Resolution	<b>1920x1080 (FHD)</b>	Backlight Unit	<b>LED (white LED)</b>
Contrast Ratio	<b>4000:1</b>	Viewing Angle (L/R, U/D)	<b>178°/178° (CR=10)</b>
Display Ratio	<b>16:9</b>	Backlight Lifetime	<b>&gt;70,000 hours</b>
Support Colors	<b>16.7M Colors</b>	Operating Temp.	<b>-20~60°C</b>
Pixel Pitch	<b>0.3637x0.3637 mm</b>	Storage Temp.	<b>-20~60°C</b>
Brightness	<b>2500 nits</b>		

## Touch Options

Touch Screen		
	Description	Model Name
<b>Standard</b>	<b>Projected Capacitive Touch</b>	<b>NTWP320HP4XX-SIXXXXX-XXFA-613</b>
Option	Non-Touch	NTWP320H04XX-SIXXXXX-XXFA-613

### Projected Capacitive Touch

Allowed Touch Points	10 points	Thickness of Cover Lens	3.0±0.2mm
Transparency	≥87%	Hardness of Cover Lens	7H
Accuracy	99.00%	IK Ratings	IK07



\* True Flat, 1mm Bezel

Surface Treatment		
	Description	Model Name
<b>Standard</b>	<b>(none)</b>	<b>NTWP320HX400-SIXXXXX-XXFA-613</b>
Option 1	Anti-Glare&Anti-UV Coating	NTWP320HX4GG-SIXXXXX-XXFA-613
Option 2	Antibacterial (AB Film)	NTWP320HX4AB-SIXXXXX-XXFA-613
Option 3	Anti-Spy (AS Film)	NTWP320HX4SF-SIXXXXX-XXFA-613

Passive Stylus Pen (Option)	
Technology	Passive High Sensitive Knitted Wire Mesh Fiber Tip
Size of tip	6mm
Magnetic Attachment	Yes



Magnetic Attachment >

## System Options

CPU		
	Item	Model Name
<b>Standard</b>	<b>Core i3-1315U</b>	<b>NTWP320HX4XX-SI<u>31</u>XXX-XXFA-613</b>
Option 1	Core i5-1335U	NTWP320HX4XX-SI <u>51</u> XXX-XXFA-613
Option 2	Core i7-1355U	NTWP320HX4XX-SI <u>71</u> XXX-XXFA-613

Memory		
	Item	Model Name
<b>Standard</b>	<b>DDR4 SO-DIMM 8G</b>	<b>NTWP320HX4XX-SI<u>XX8</u>XX-XXFA-613</b>
Option 1	DDR4 SO-DIMM 16G	NTWP320HX4XX-SI <u>XXA</u> XX-XXFA-613
Option 2	DDR4 SO-DIMM 32G	NTWP320HX4XX-SI <u>XXB</u> XX-XXFA-613
Option 3	DDR4 SO-DIMM 64G	NTWP320HX4XX-SI <u>XXC</u> XX-XXFA-613

Storage		
	Item	Model Name
<b>Standard</b>	<b>SSD 128G</b>	<b>NTWP320HX4XX-SI<u>XXXS1</u>-XXFA-613</b>
Option 1	SSD 256G	NTWP320HX4XX-SI <u>XXXS2</u> -XXFA-613
Option 2	SSD 512G	NTWP320HX4XX-SI <u>XXXS3</u> -XXFA-613
Option 3	SSD 1T	NTWP320HX4XX-SI <u>XXXH1</u> -XXFA-613
Option 4	SSD 128G + SATA HDD 1T	NTWP320HX4XX-SI <u>XXXSH</u> -XXFA-613

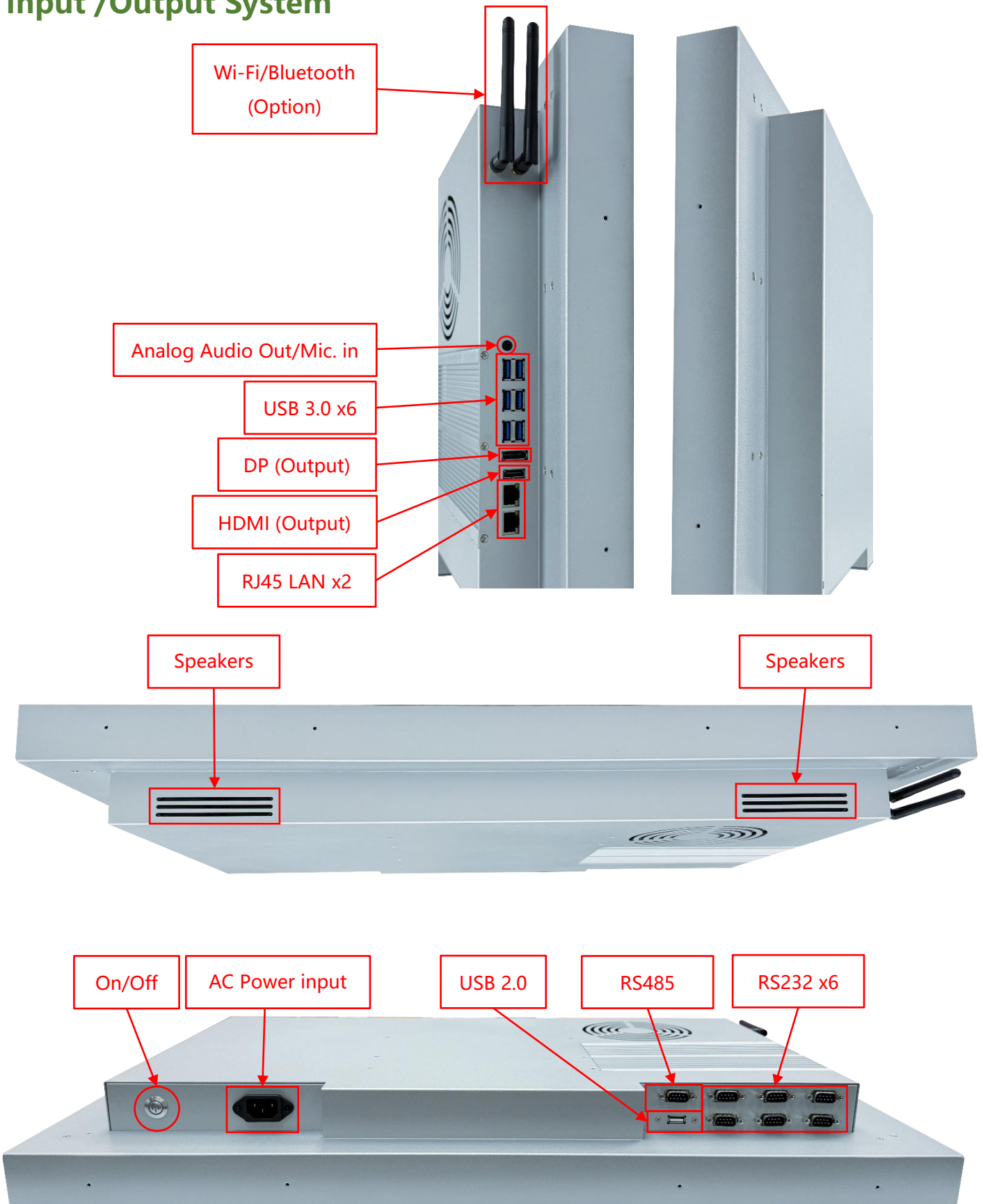
### System Options (Continued)

Material of Cabinet		
	Description	Model Name
<b>Standard</b>	<b>SECC</b>	<b>NTWP320HX4XX-SIXXXXXX-<u>S</u>XFA-613</b>
Option 1	Stainless Steel	NTWP320HX4XX-SIXXXXXX- <u>L</u> XFA-613
Option 2	Aluminum	NTWP320HX4XX-SIXXXXXX- <u>A</u> XFA-613

Color of Cabinet		
	Description	Model Name
<b>Standard</b>	<b>Silver</b>	<b>NTWP320HX4XX-SIXXXXXX-<u>X</u>SFA-613</b>
Option 1	White	NTWP320HX4XX-SIXXXXXX- <u>X</u> WFA-613
Option 2	Black	NTWP320HX4XX-SIXXXXXX- <u>X</u> BFA-613
Options	Other Colors	NTWP320HX4XX-SIXXXXXX- <u>X</u> XFA-613

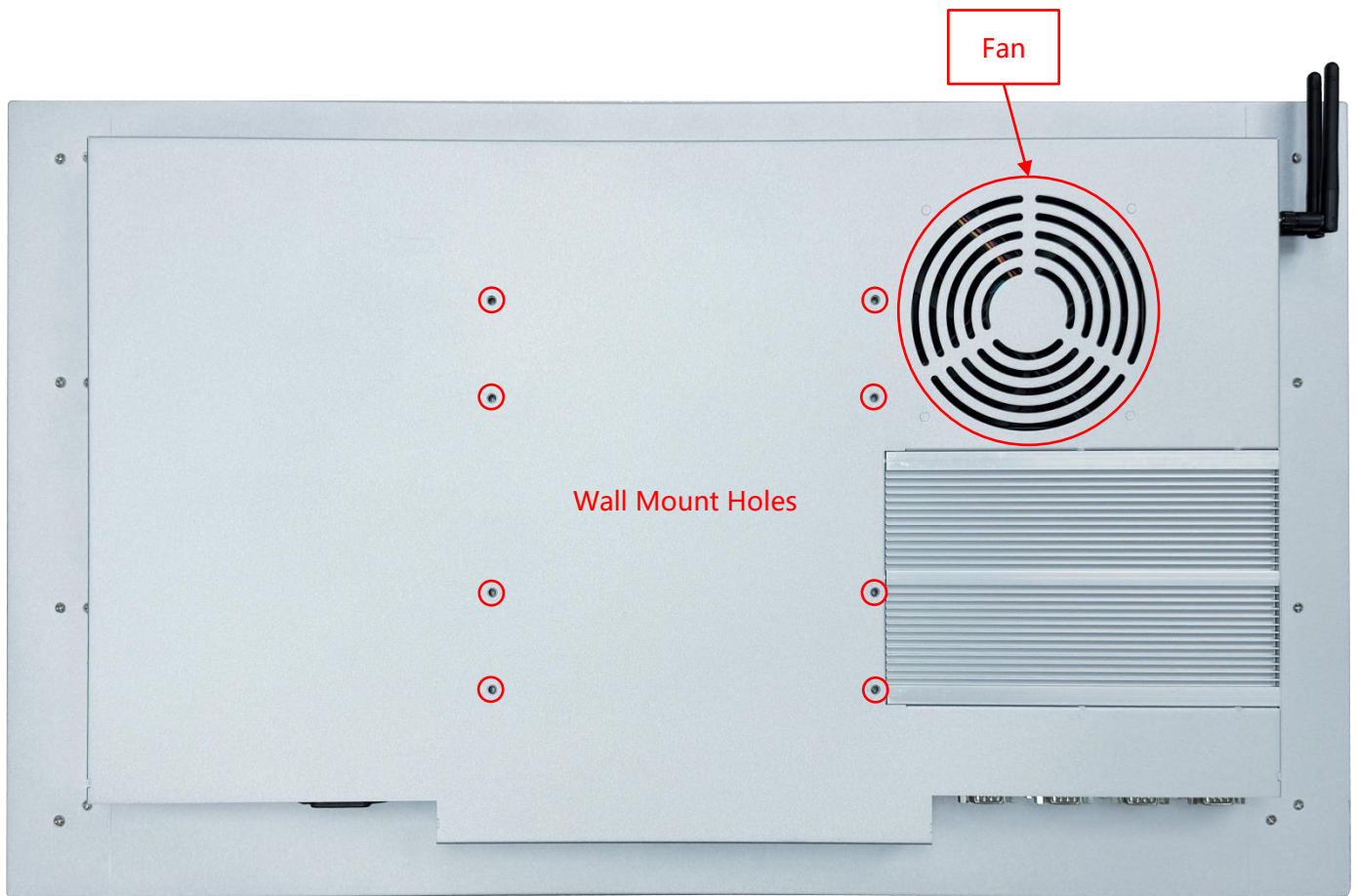
\* X = A~Z, 0~9 (Depends on Color)

## Input /Output System



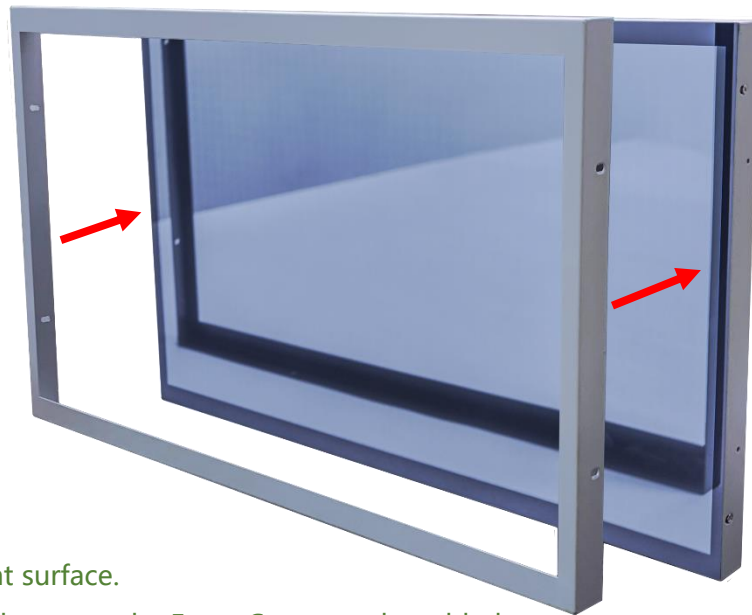
# Nextech WP Series 32" Industrial All-in-one Touch PC

**NTWP320-4 V613**



Input / Output	Connectors	Input / Output	Connectors
HDMI (Output)	1	LAN (RJ45)	2
DP (Output)	1	Analog Audio Out/Mic. in	1
USB 3.0	6	Speakers	10W x2
USB 2.0	1	AC Power Input	1
RS485	1	Wi-Fi/Bluetooth & Antenna	Option
RS232	6		

## Front Cover (Option)



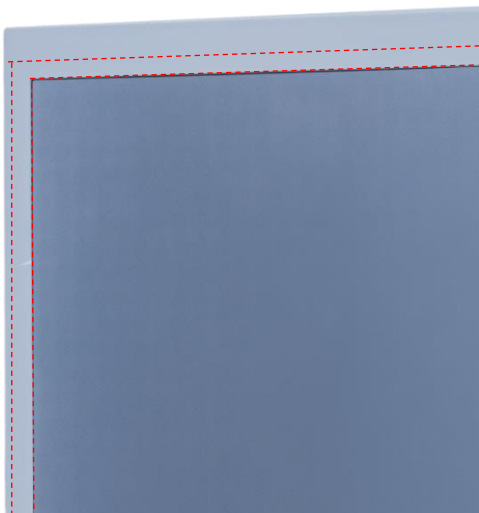
The standard **NTWP320** is true flat surface.

To protect the corners of the touch screen, the Front Cover can be added.

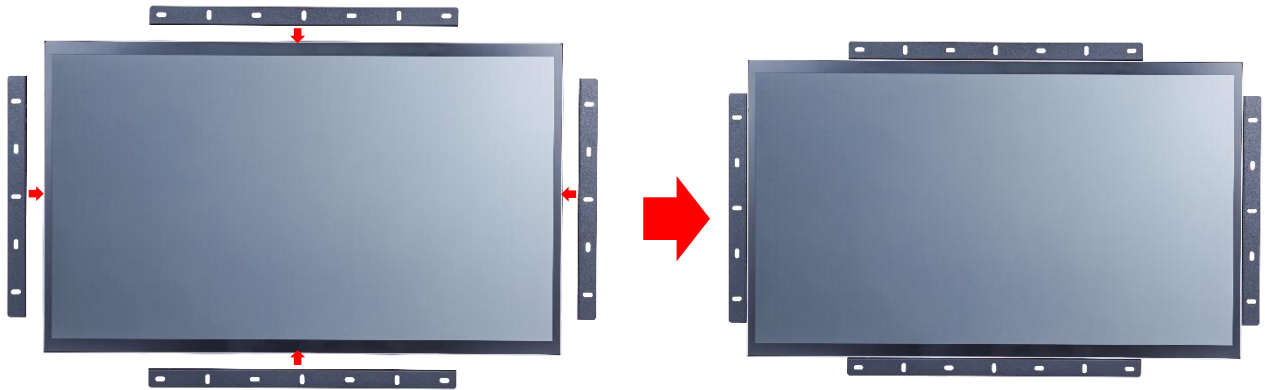


The watertight gasket can be added between the Front Cover and **NTWP320**.

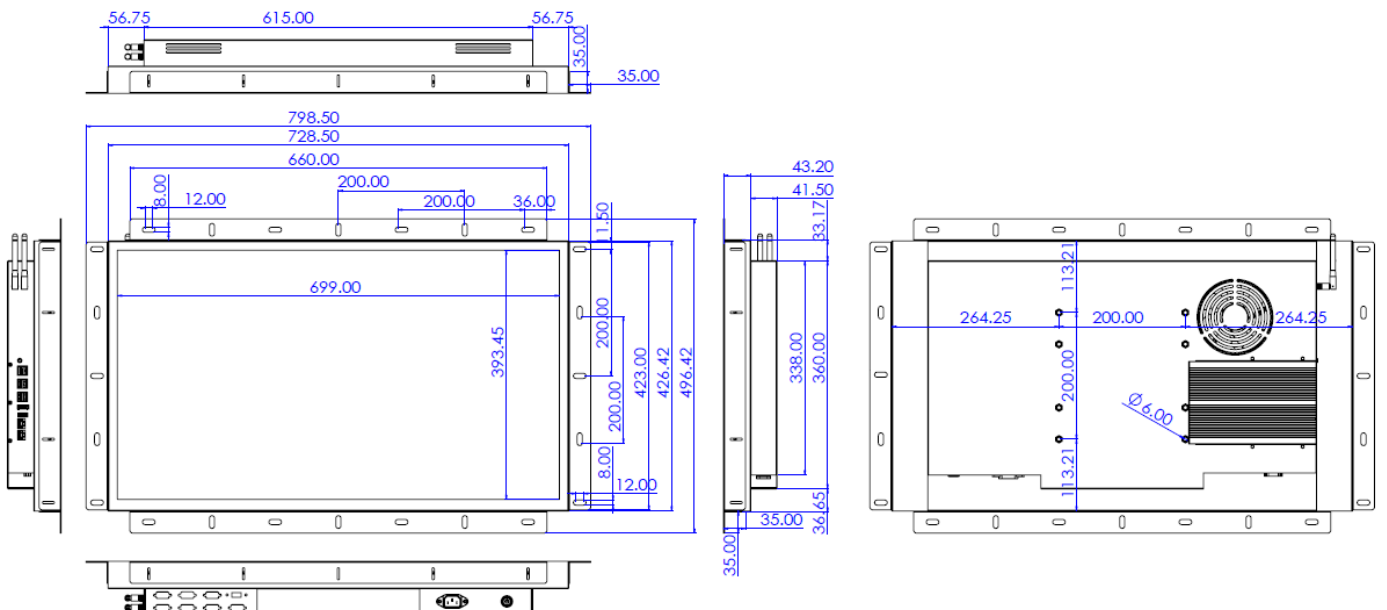
It complies **IP65** on front.



### Open-frame Brackets (Option)

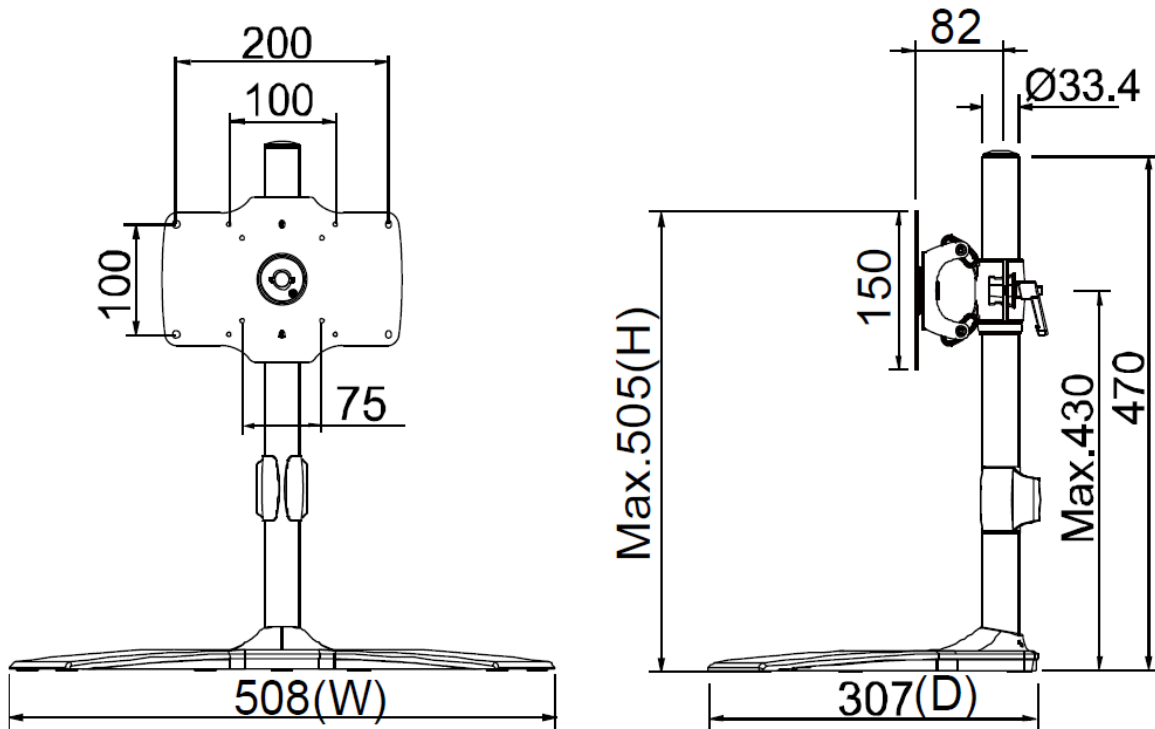


### Dimension for Installing with Open-frame Brackets

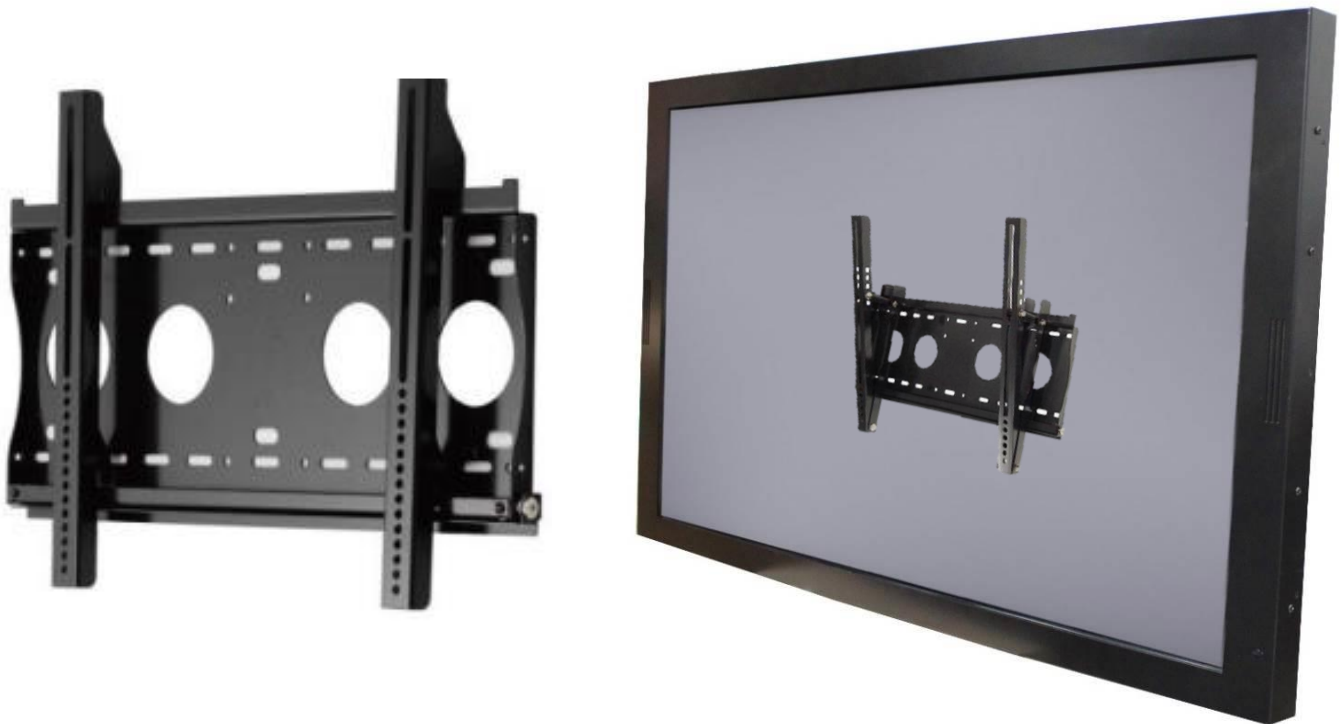


### Desktop Stand (Option)

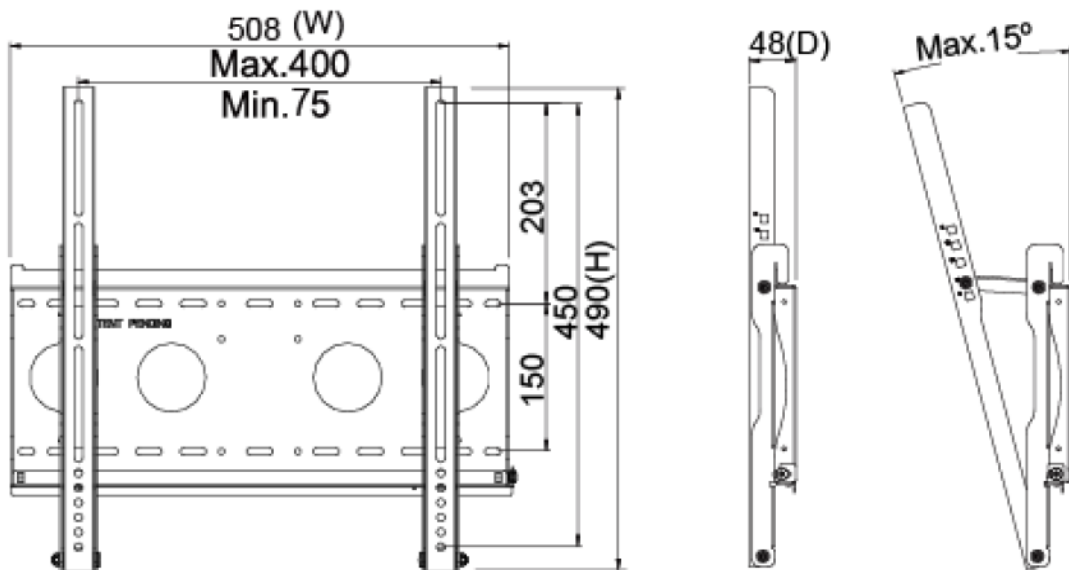
Item	T Stand	Part No.	DST-1B007
Mounting Pattern	200x100/100x100/75x75 mm	Dimension (WxHxD)	508(W)x307(D)x470(H) mm
Material	Steel/Plastic/Aluminum	Net Weight	2.44 KG
Tilt (Hinge)	+/-15°	Support Max. Weight	15 KG



**Wall Mount Bracket (Option)**



Part No.	WMB-B001	Mounting Pattern	Max. 400x450 mm	Material	SECC
Mounting Pattern	Max. 400x450 mm	Material	SECC	Tilt (Hinge)	0°/5°/10°/13°/15°
Material	SECC	Tilt (Hinge)	0°/5°/10°/13°/15°	Screw Type	M4/M5/M6/M8
Tilt (Hinge)	0°/5°/10°/13°/15°	Screw Type	M4/M5/M6/M8		



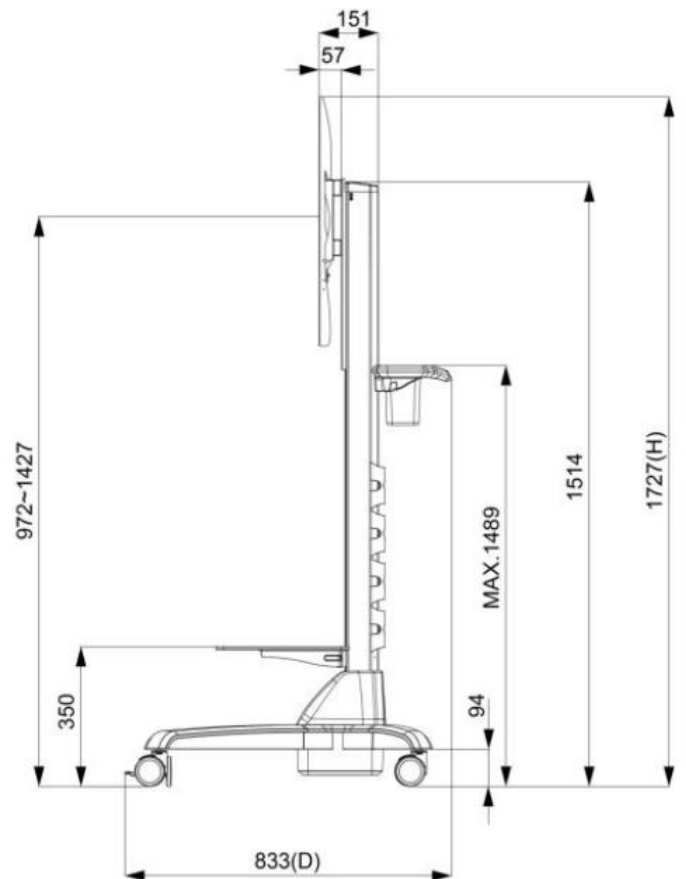
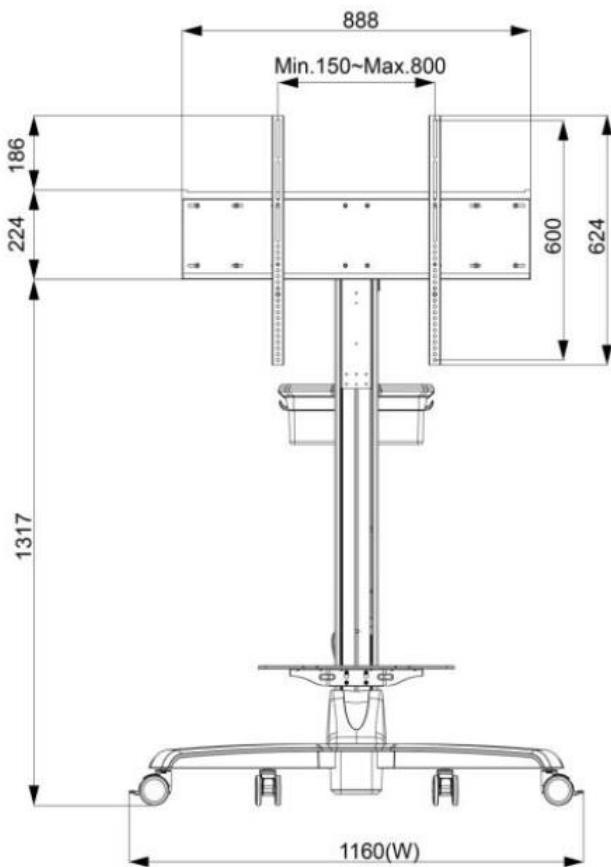
# Nextech WP Series 32" Industrial All-in-one Touch PC

**NTWP320-4 V613**

## Cart (Option)



Net Weight	28.4 KG
Power System	AC 200~240V 50/60Hz
User Interface	Button (up/down)
Packaged Dimension	W1160xD833xH1727 mm
Screw Type	M4/M5/M6/M8
Material	Aluminum/Plastic/Steel
Max. Mount Pattern	800x600mm
Max. Weight Load	80 KG
Caster	4 (front 2 braking)
Height Adjust Range	455 mm
RoHS/REACH	Yes



**KIOSK Cabinet (Option)**

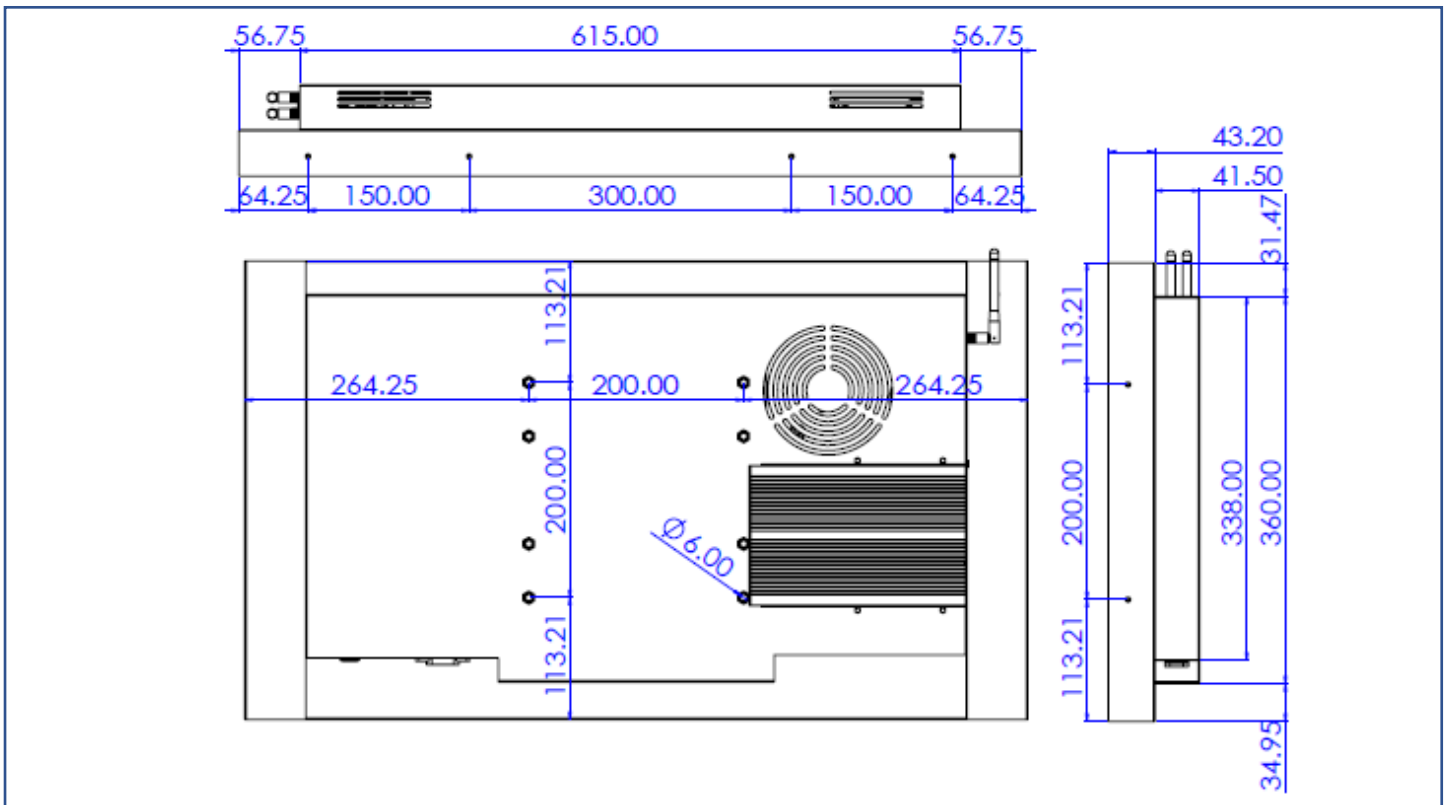
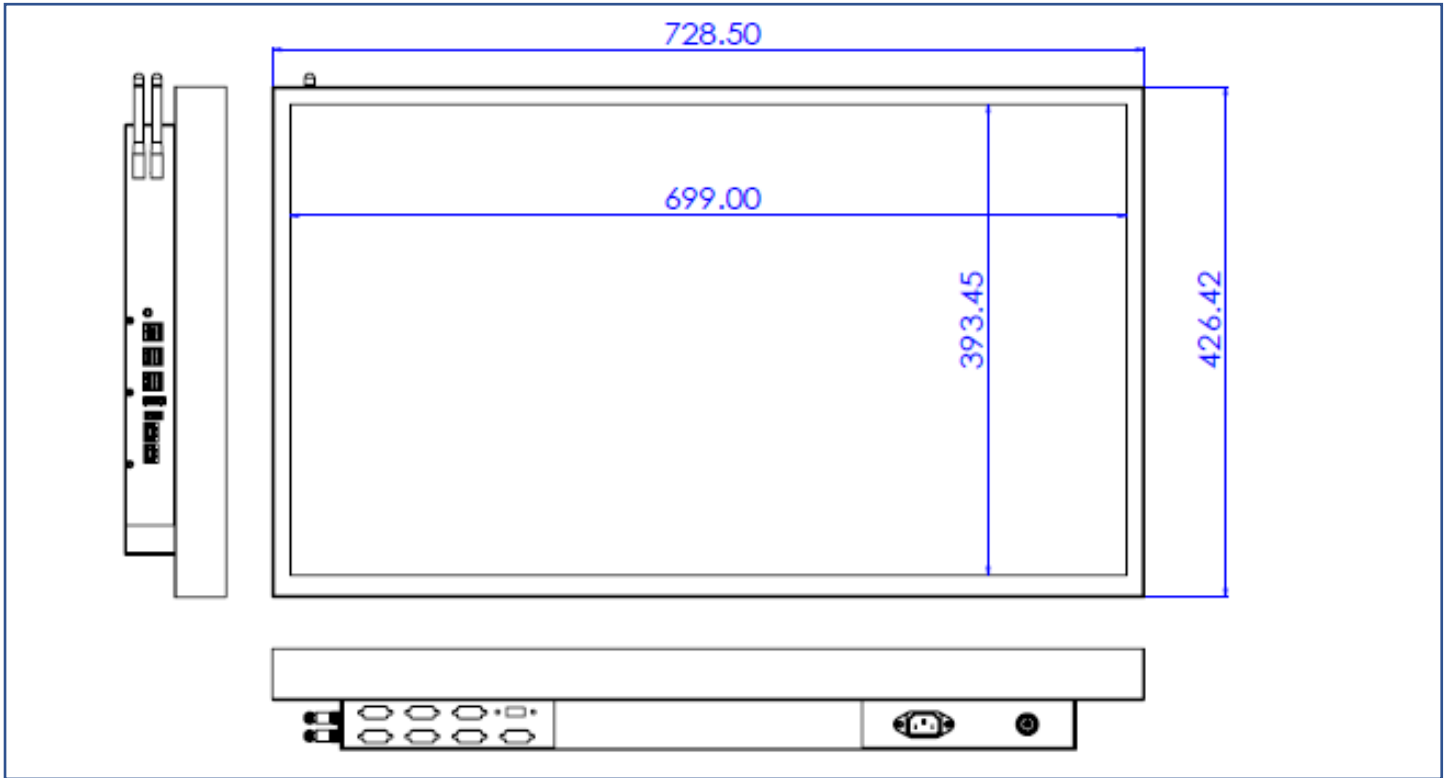


Material	SECC
Caster	4 (front 2 braking)
Ingress Protection	Front IP65
Power Socket	None (Wire Hole Reserved)



## Physical Specifications

Dimension	<b>728.5x426.42x84.7(±2)mm</b>	Net Weight	≤ <b>13.5 KG</b>
VESA Mounting	<b>200x100mm/200x200mm</b>	Gross Weight	≤ <b>16.9 KG</b>



## Packing Information



Dimensions of Carton	<b>105x24x68 CM</b>
Net Weight	<b>≤ 13.5 KG</b>
Gross Weight	<b>≤ 16.9 KG</b>